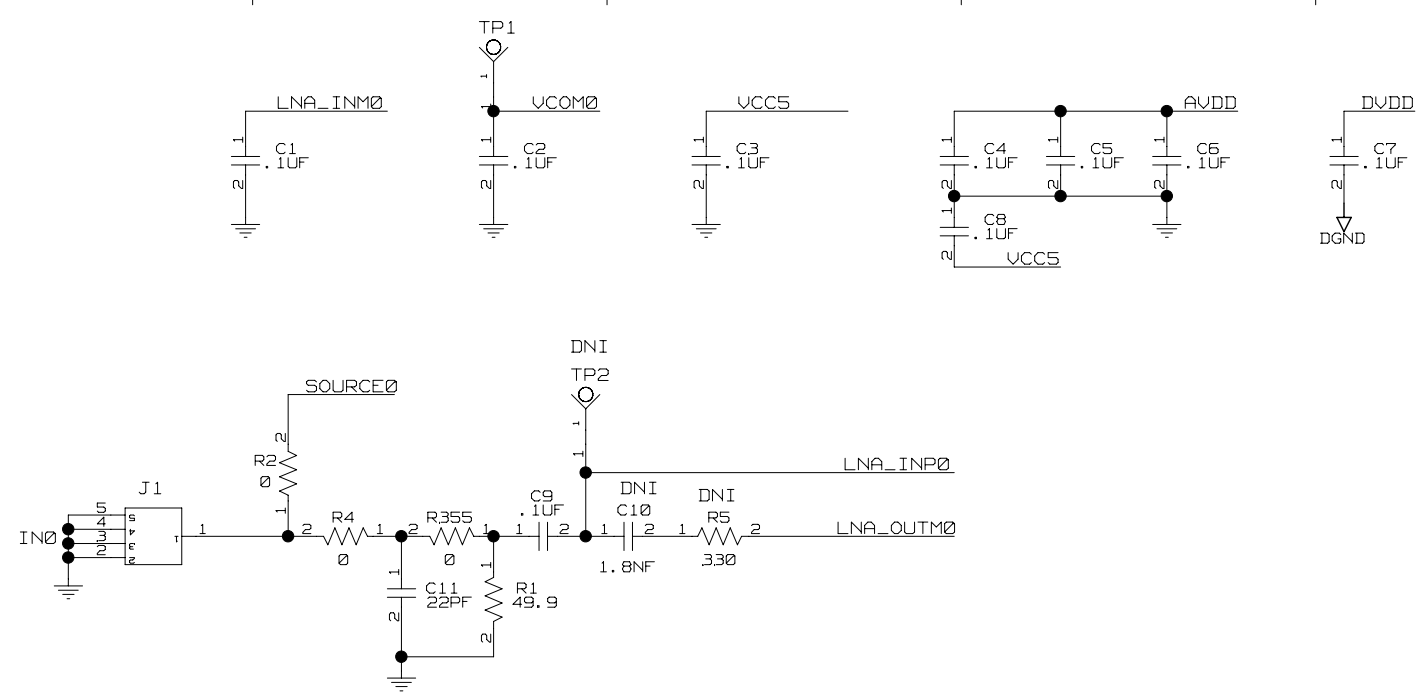
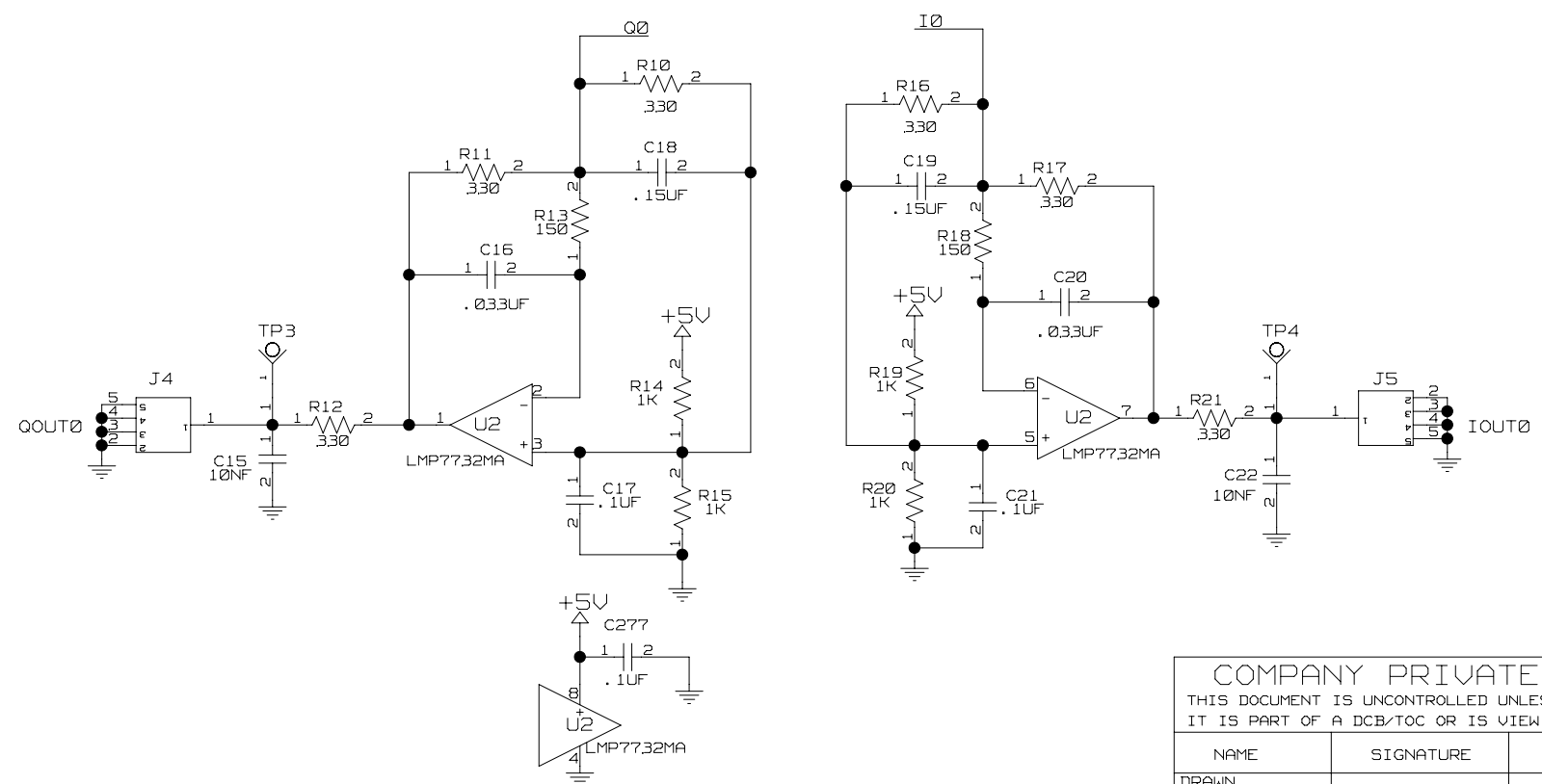


REV	ECN	DISCRIPTION	DATE	APP
7	N/A	INITIAL RELEASE	8-11-08	M.P.



CH0



COMPANY PRIVATE
THIS DOCUMENT IS UNCONTROLLED UNLESS
IT IS PART OF A DCB/TOC OR IS VIEW ON LINE.

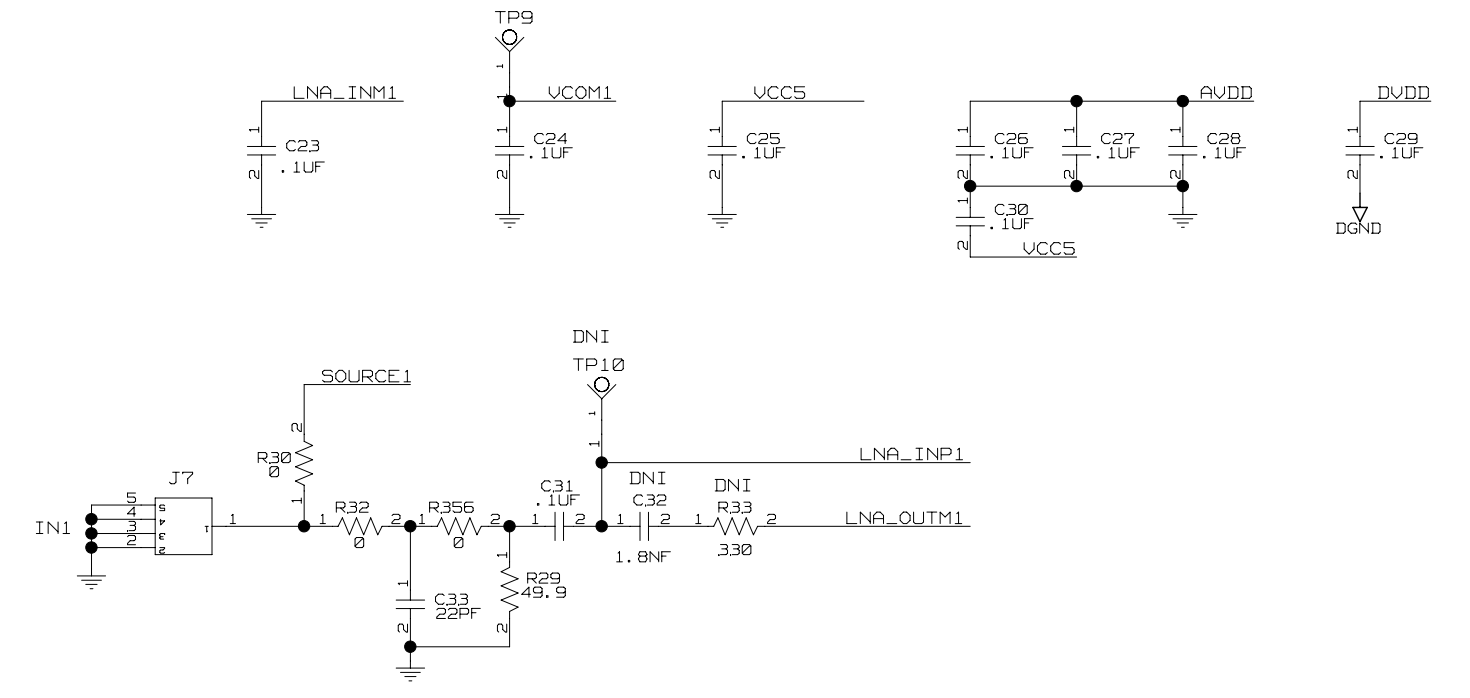
NAME	SIGNATURE	DATE
DRAWN	V. MALINOWSKI	8-11-08
ENGINEER	M. PACHCHIGAR	8-11-08
APPROVED	M. PACHCHIGAR	8-11-08

NATIONAL SEMICONDUCTOR™
2900 SEMICONDUCTOR DR., SANTA CLARA, CA 95052

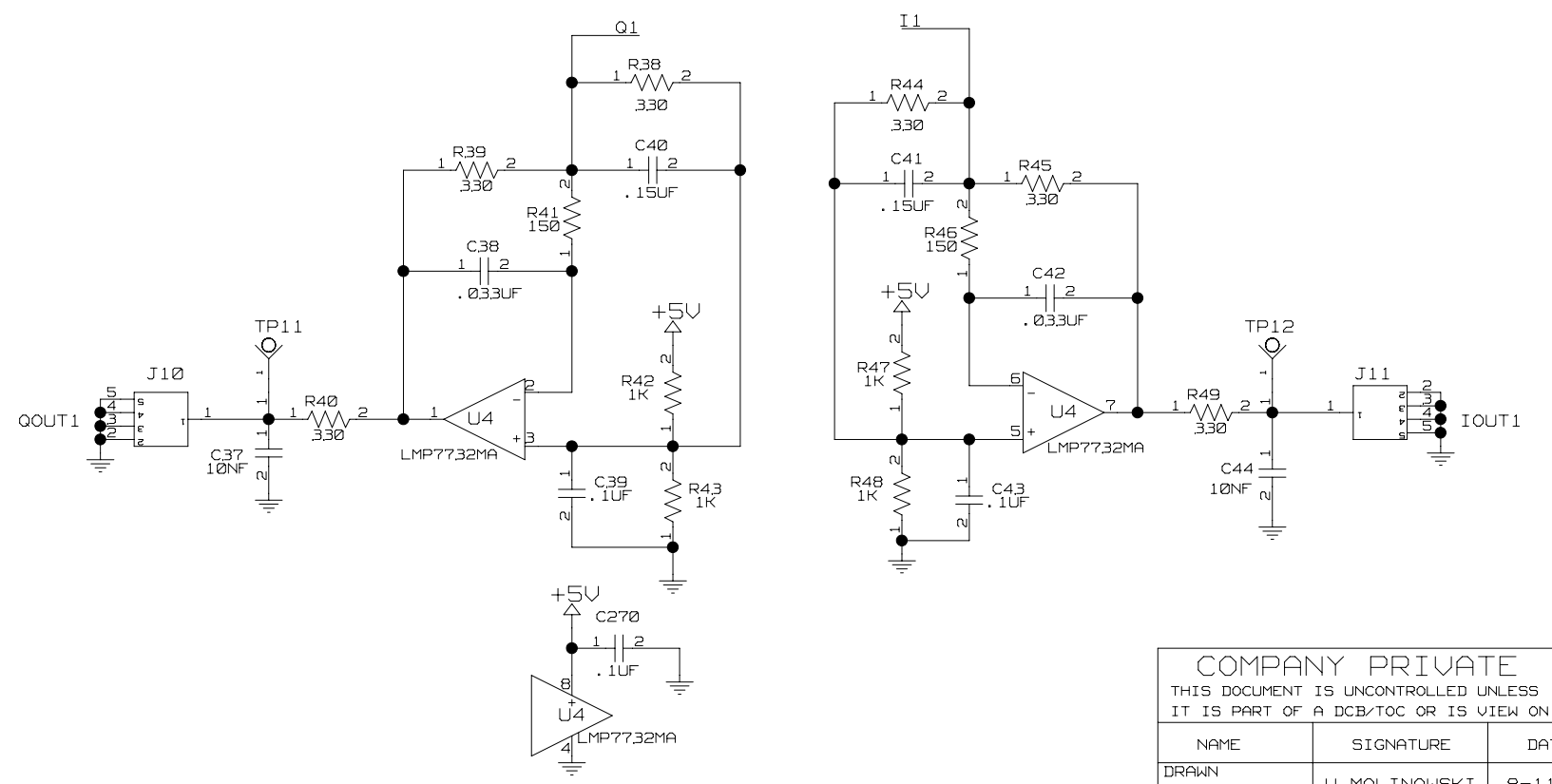
LMH6511 BENCH TEST

C	PART NAME : 83-Y6-GZ9-A	7
SHEET	1 OF 14	REV.

REV	ECN	DISCRIPTION	DATE	APP
		SEE SHEET 1		



CH1



COMPANY PRIVATE
THIS DOCUMENT IS UNCONTROLLED UNLESS
IT IS PART OF A DCB/TOC OR IS VIEW ON LINE.

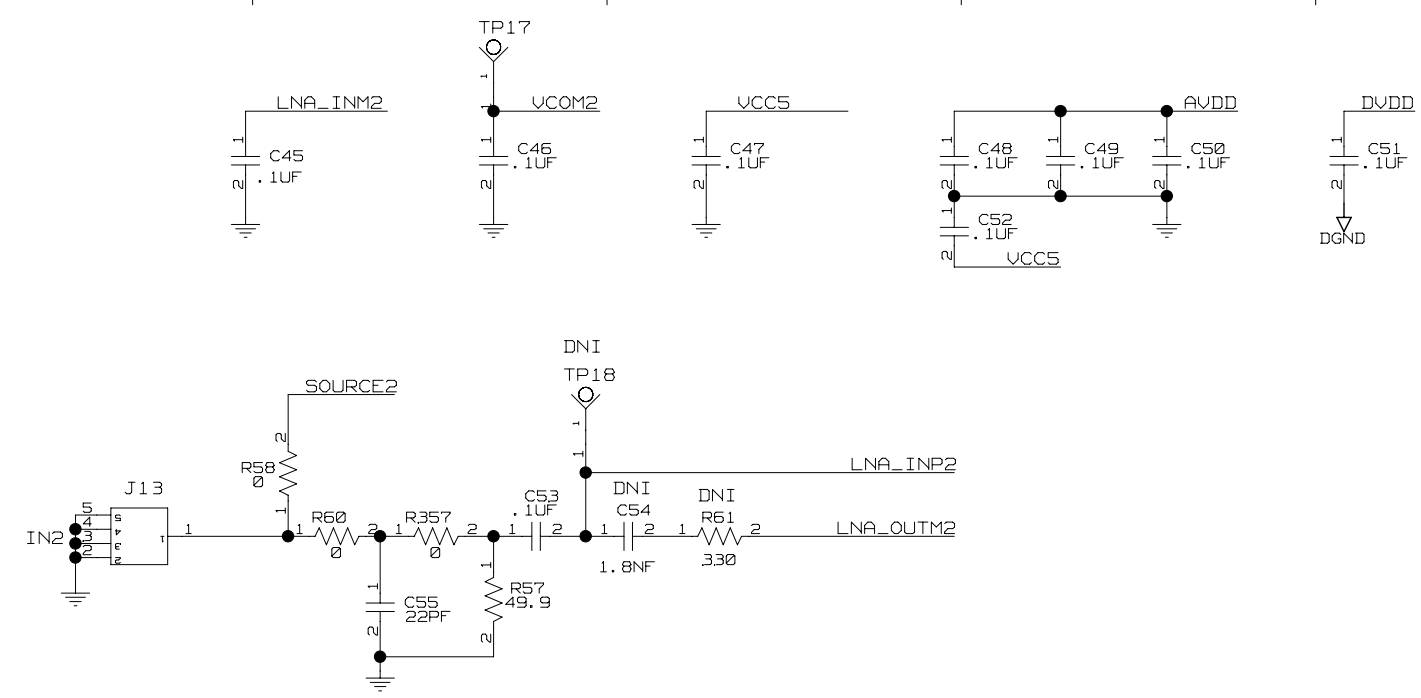
NAME	SIGNATURE	DATE
DRAWN	V. MALINOWSKI	8-11-08
ENGINEER	M. PACHCHIGAR	8-11-08
APPROVED	M. PACHCHIGAR	8-11-08

NATIONAL SEMICONDUCTOR™
2900 SEMICONDUCTOR DR., SANTA CLARA, CA 95052

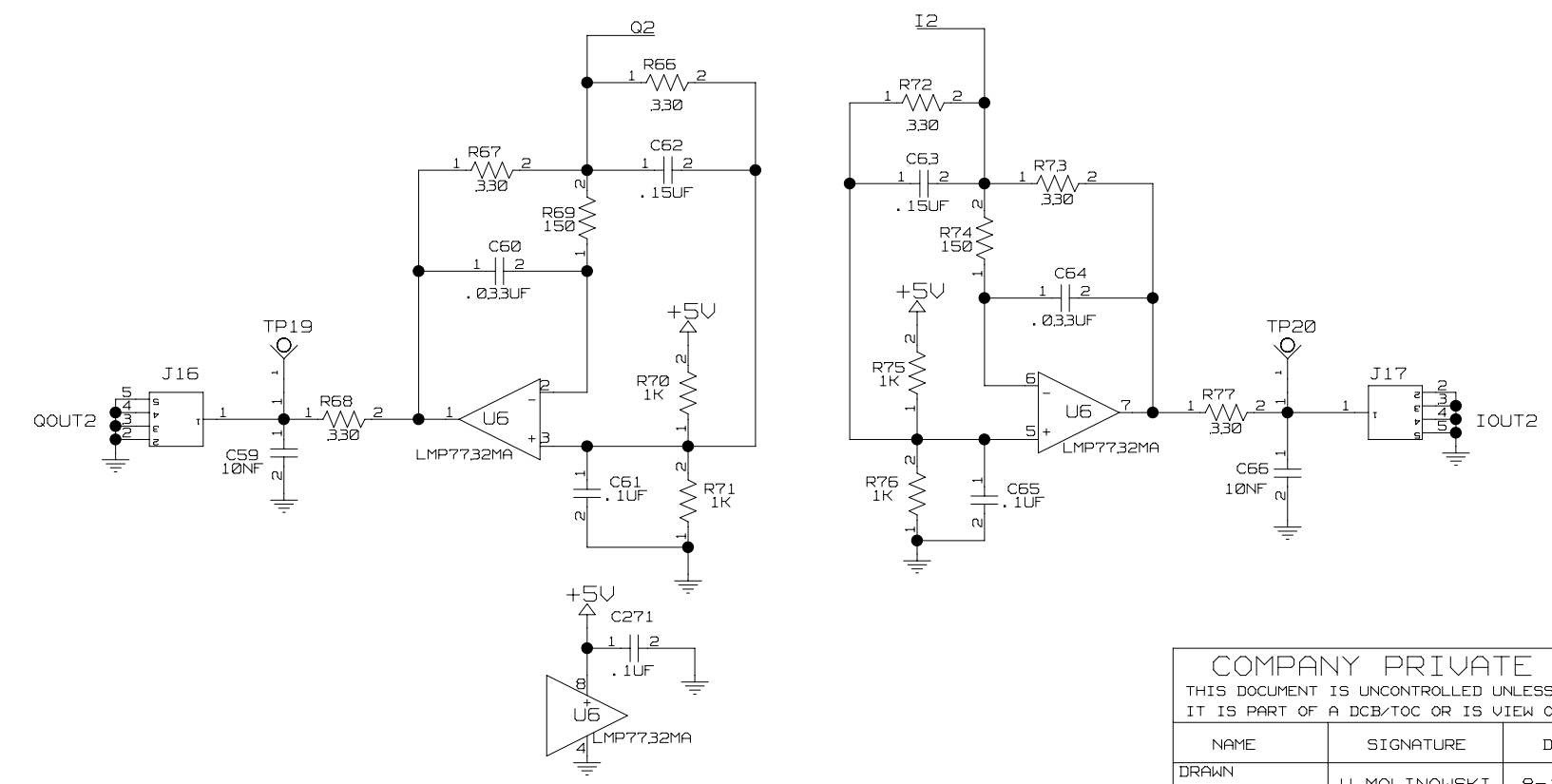
LMH6511 BENCH TEST


C	PART NAME : 83-Y6-GZ9-A	7
SHEET	2 OF 14	REV.

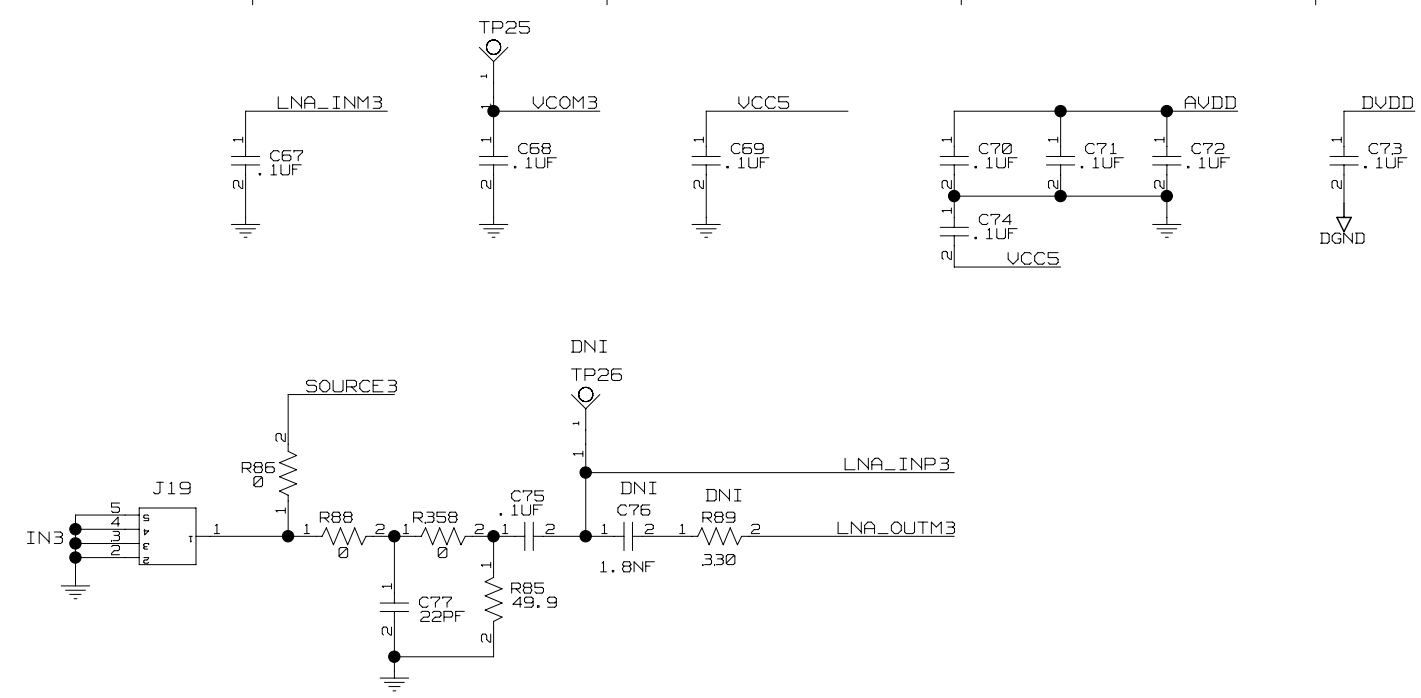
REV	ECN	DISCRIPTION	DATE	APP
		SEE SHEET 1		



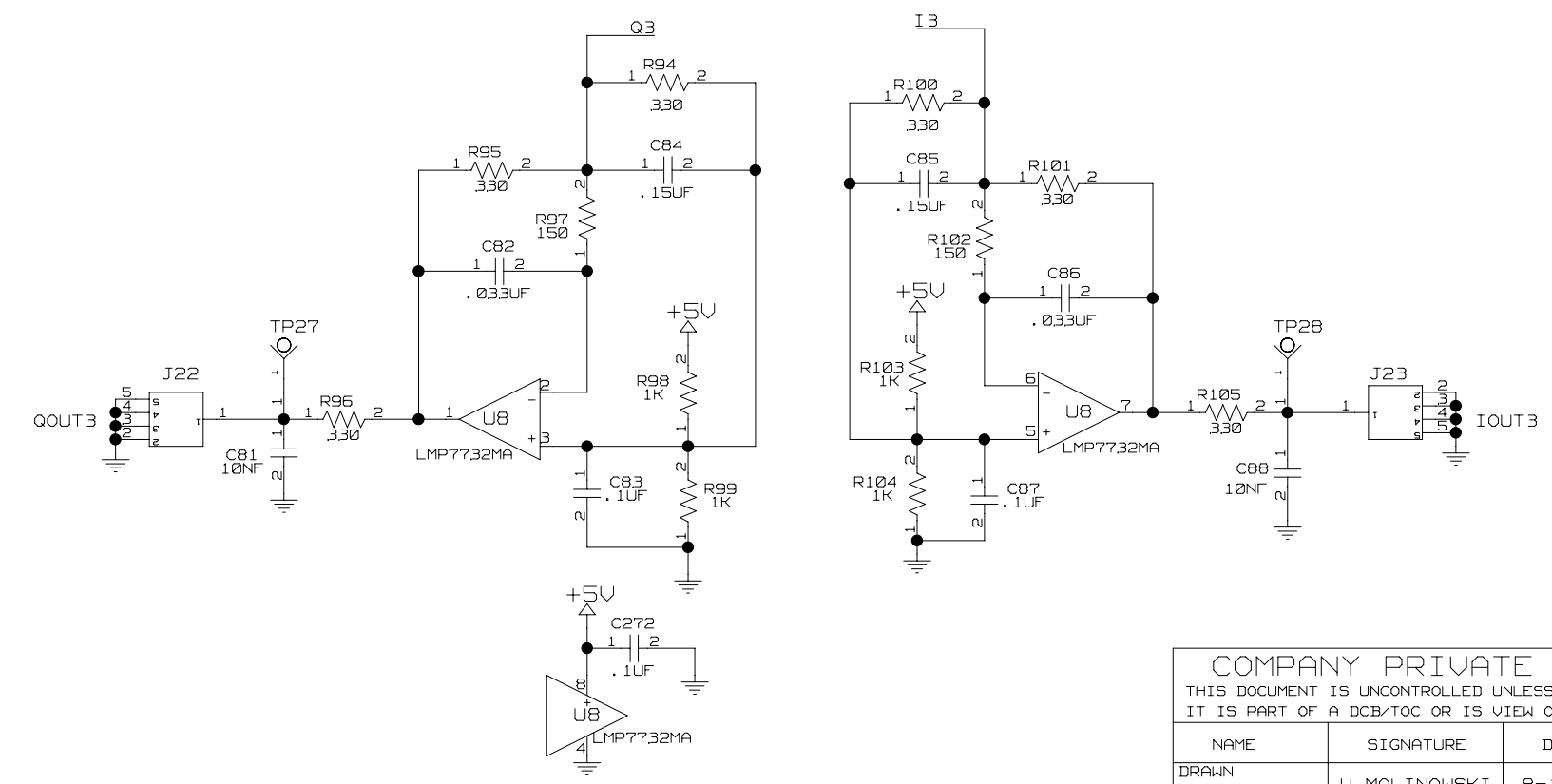
CH2



COMPANY PRIVATE			 NATIONAL SEMICONDUCTOR™ 2900 SEMICONDUCTOR DR., SANTA CLARA, CA 95052
THIS DOCUMENT IS UNCONTROLLED UNLESS IT IS PART OF A DCB/TOC OR IS VIEW ON LINE.			
NAME	SIGNATURE	DATE	LMH6511 BENCH TEST
DRAWN	V. MALINOWSKI	8-11-08	
ENGINEER	M. PACHCHIGAR	8-11-08	
APPROVED	M. PACHCHIGAR	8-11-08	C PART NAME : 83-Y6-GZ9-A 7 SHEET 3 OF 14 REV.



CH3



COMPANY PRIVATE
THIS DOCUMENT IS UNCONTROLLED UNLESS
IT IS PART OF A DCB/TOC OR IS VIEW ON LINE.

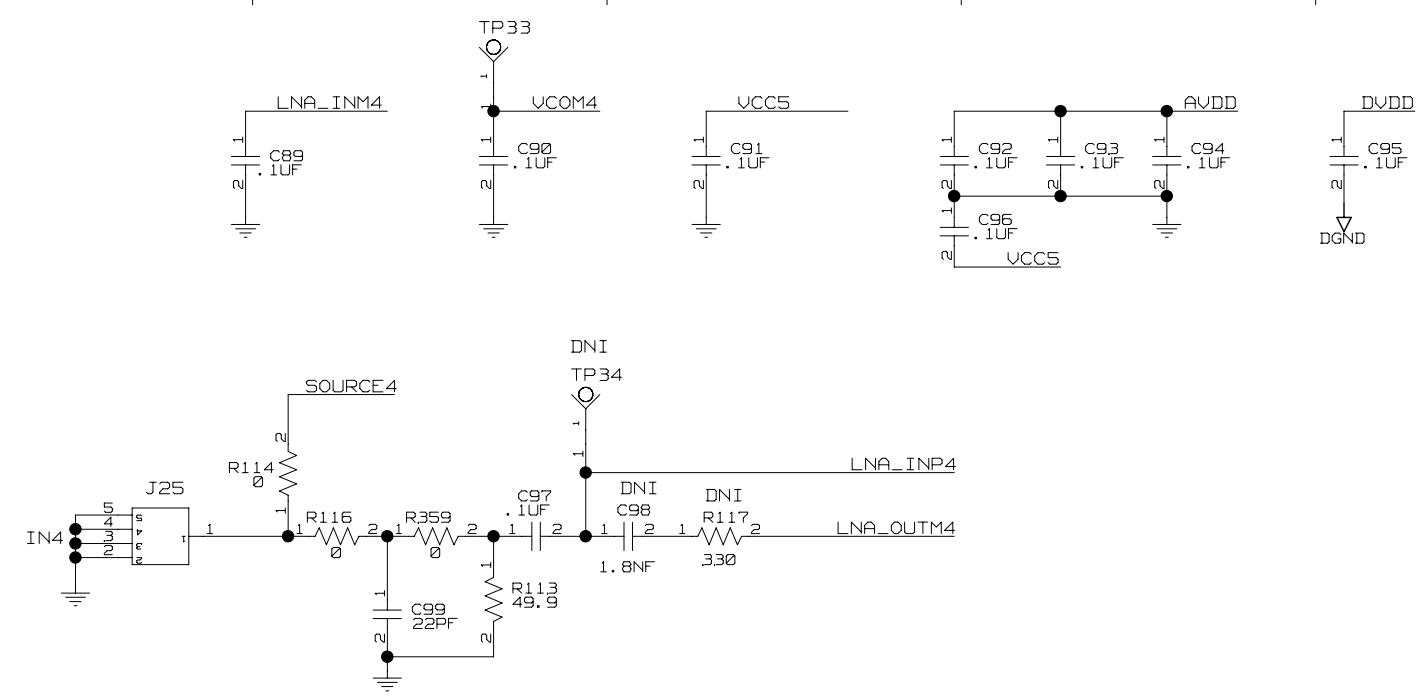
NAME	SIGNATURE	DATE
DRAWN	V. MALINOWSKI	8-11-08
ENGINEER	M. PACHCHIGAR	8-11-08
APPROVED	M. PACHCHIGAR	8-11-08

NATIONAL SEMICONDUCTOR™
2900 SEMICONDUCTOR DR., SANTA CLARA, CA 95052

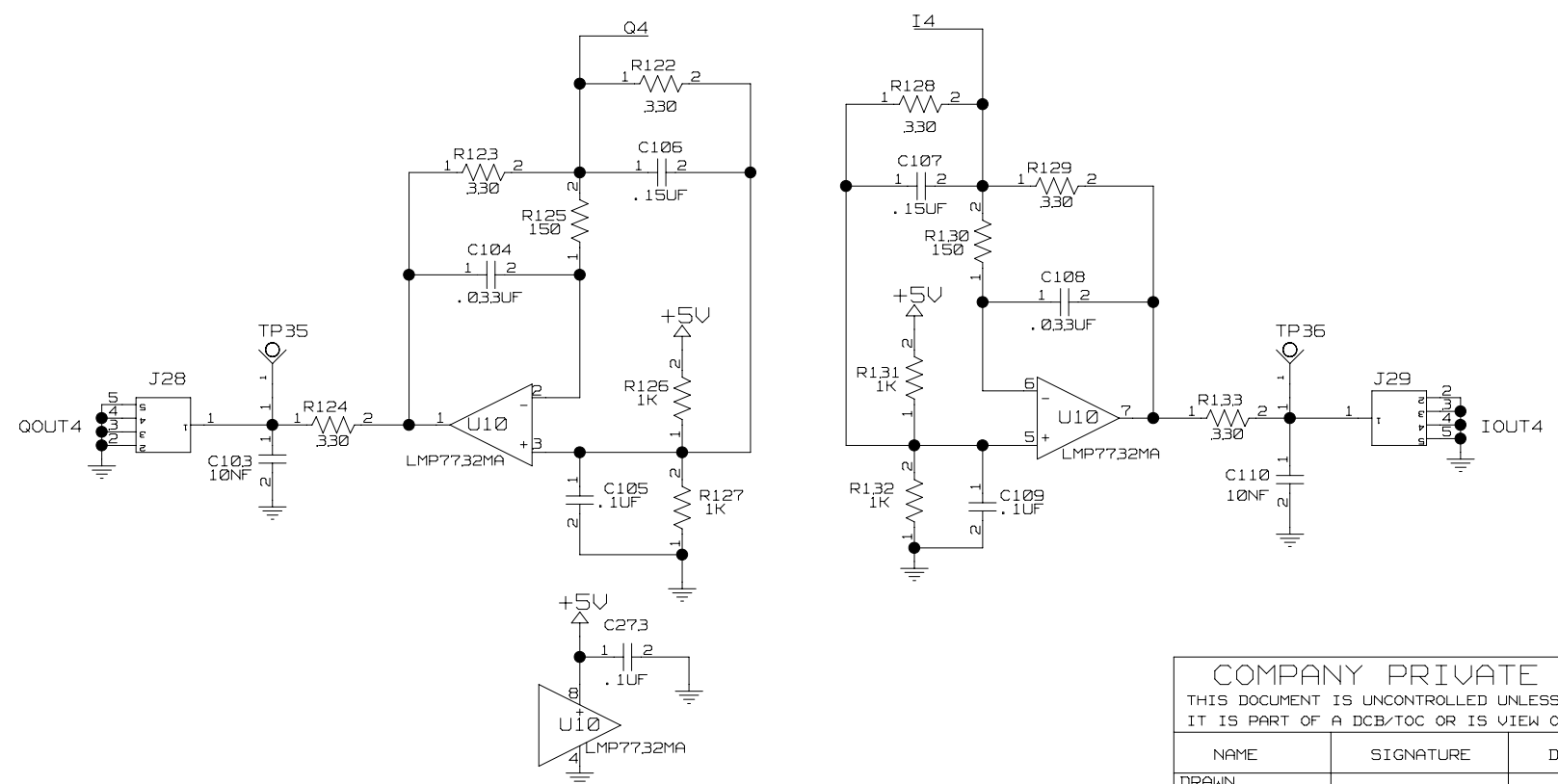
LMH6511 BENCH TEST


C	PART NAME : 83-Y6-GZ9-A	7
SHEET	4 OF 14	REV.

REV	ECN	DISCRIPTION	DATE	APP
		SEE SHEET 1		

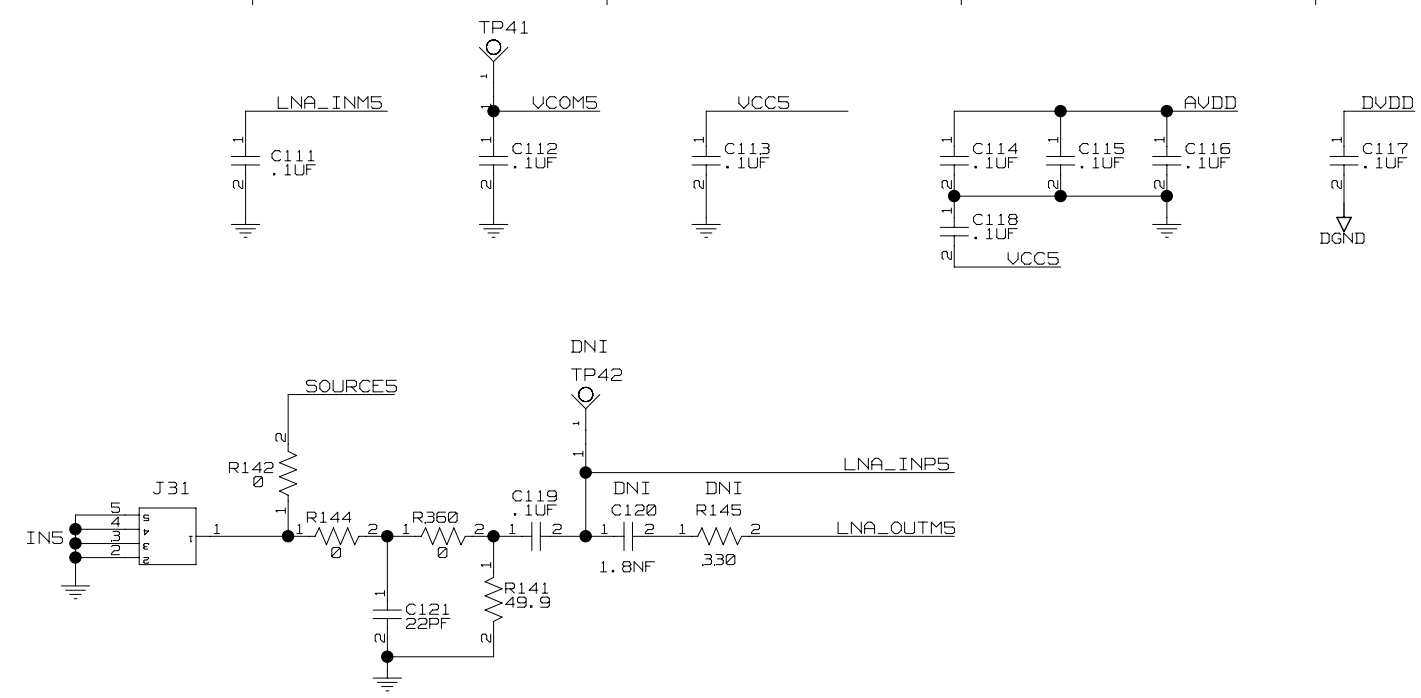


CH4

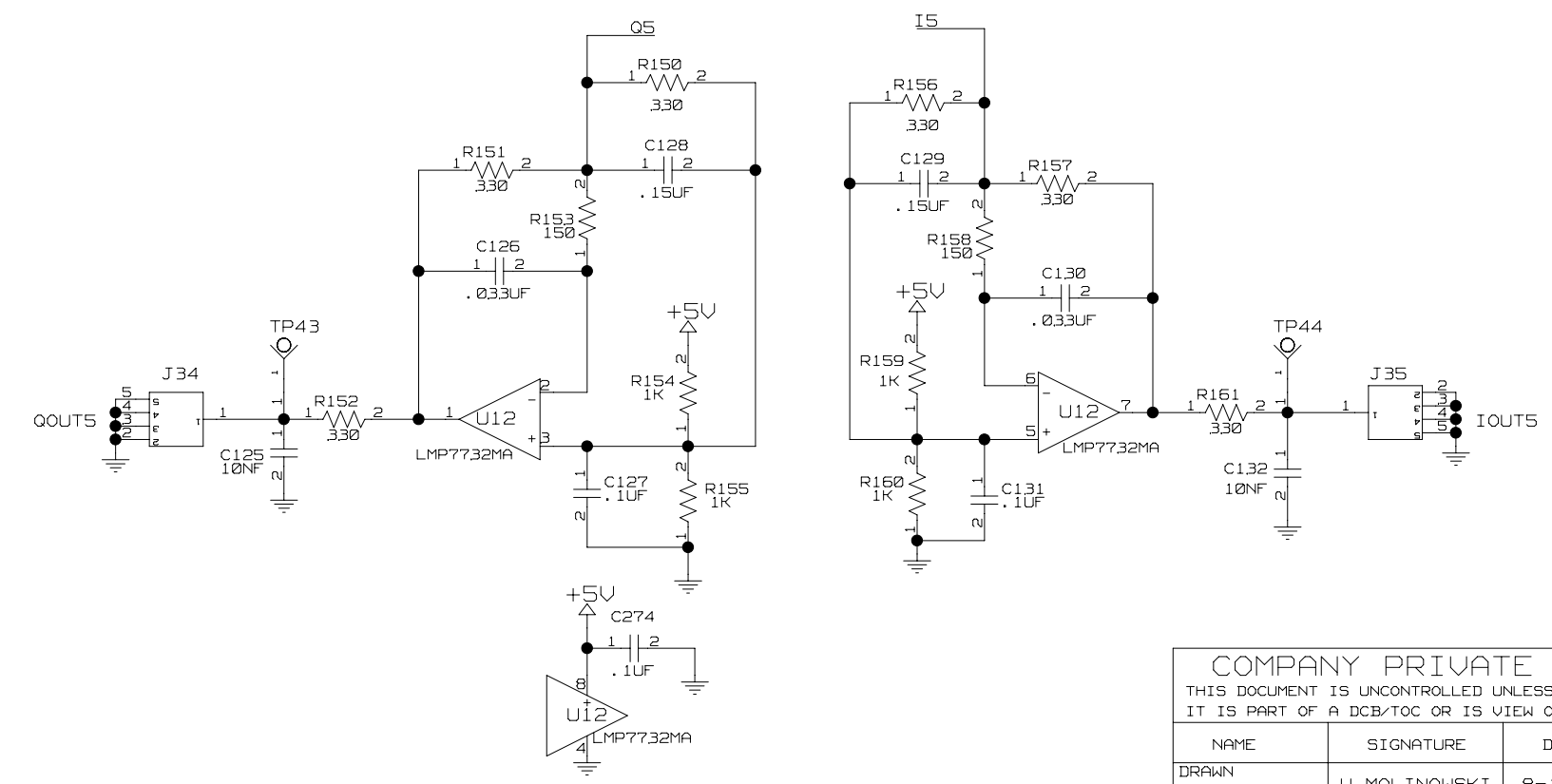


COMPANY PRIVATE			 NATIONAL SEMICONDUCTOR™ 2900 SEMICONDUCTOR DR., SANTA CLARA, CA 95052
THIS DOCUMENT IS UNCONTROLLED UNLESS IT IS PART OF A DCB/TOC OR IS VIEW ON LINE.			
NAME	SIGNATURE	DATE	LMH6511 BENCH TEST
DRAWN	V. MALINOWSKI	8-11-08	
ENGINEER	M. PACHCHIGAR	8-11-08	
APPROVED	M. PACHCHIGAR	8-11-08	C PART NAME : 83-Y6-GZ9-A 7 SHEET 5 OF 14 REV.

REV	ECN	DISCRIPTION	DATE	APP
		SEE SHEET 1		

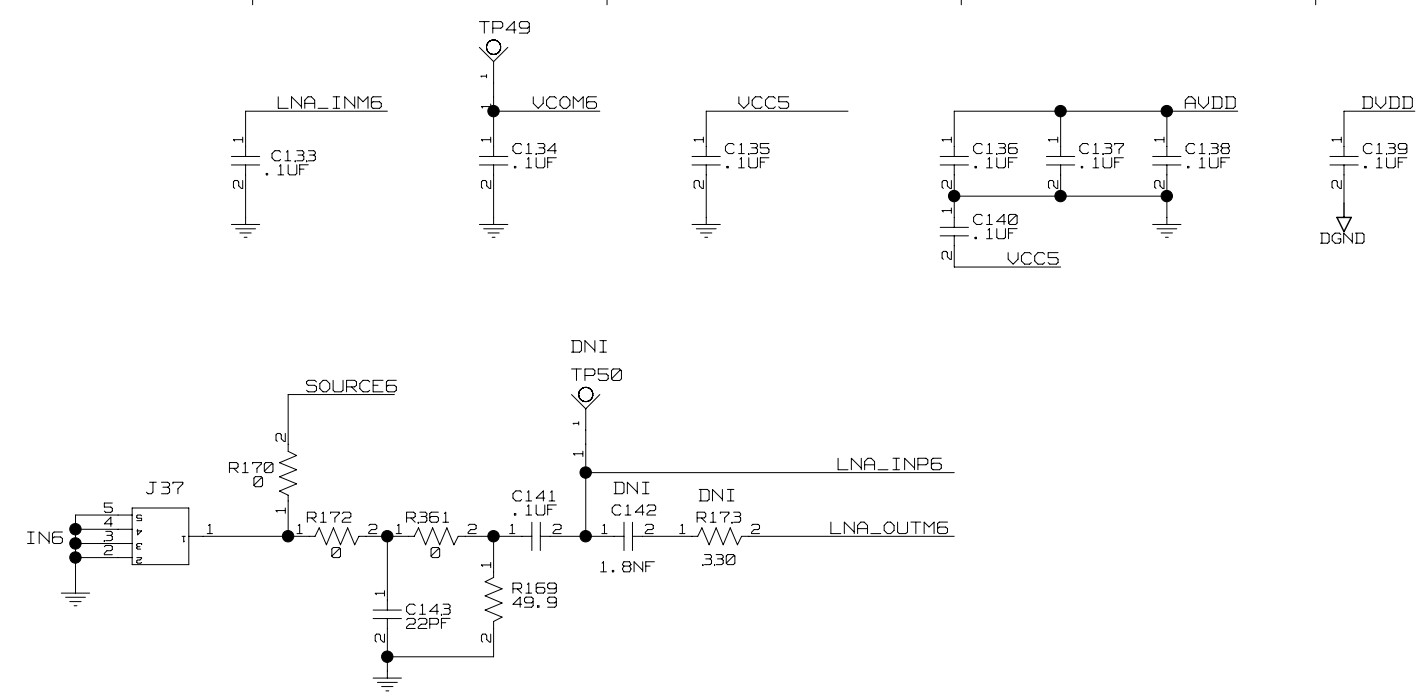


CH5

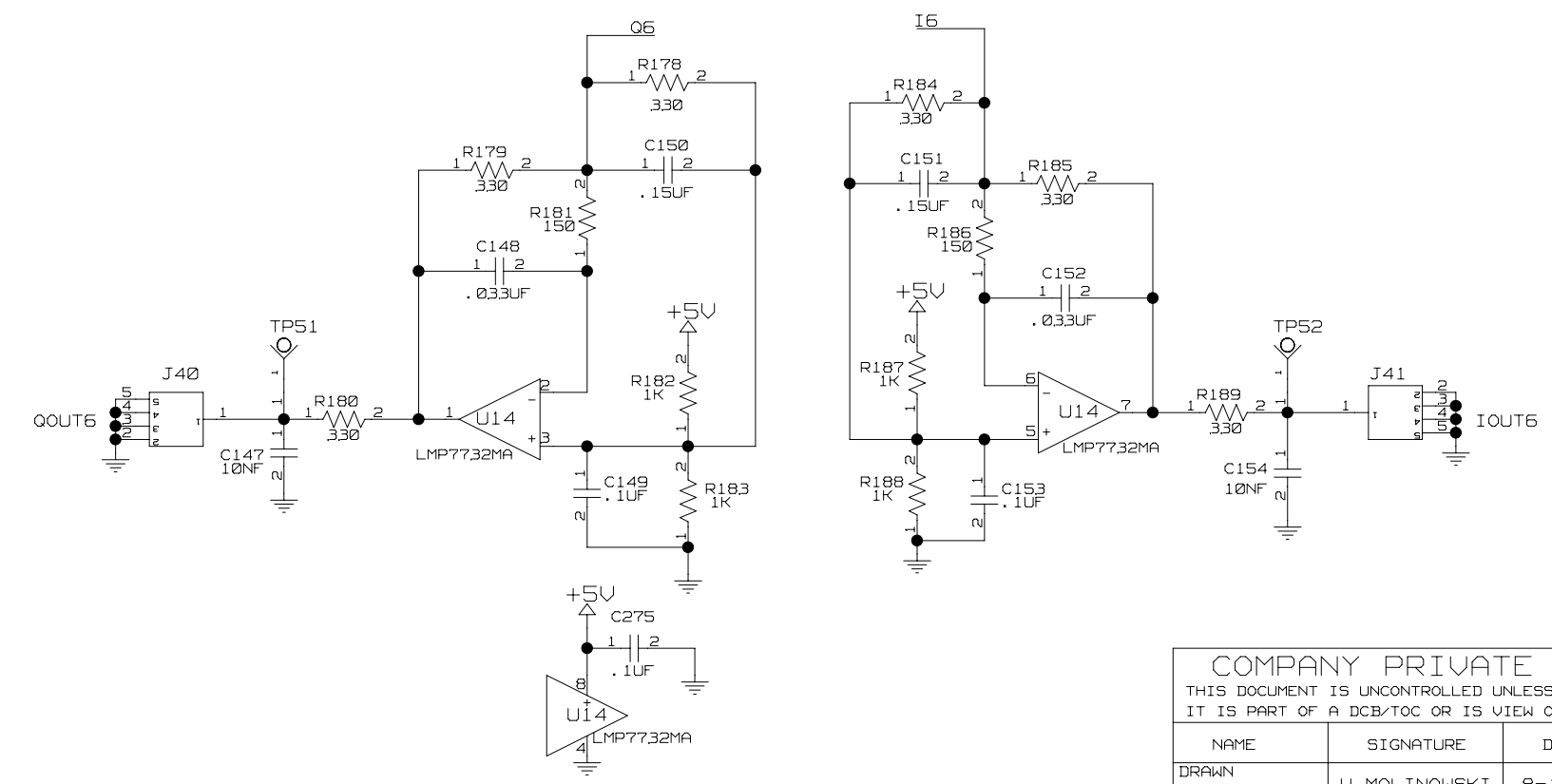


<p>COMPANY PRIVATE THIS DOCUMENT IS UNCONTROLLED UNLESS IT IS PART OF A DCB/TOC OR IS VIEW ON LINE.</p>			<p>NATIONAL SEMICONDUCTOR™ 2900 SEMICONDUCTOR DR., SANTA CLARA, CA 95052</p>
NAME	SIGNATURE	DATE	
DRAWN	V. MALINOWSKI	8-11-08	<p>LMH6511 BENCH TEST</p>
ENGINEER	M. PACHCHIGAR	8-11-08	
APPROVED	M. PACHCHIGAR	8-11-08	<p>C PART NAME : 83-Y6-GZ9-A 7</p> <p>SHEET 6 OF 14 REV.</p>

REV	ECN	DISCRIPTION	DATE	APP
		SEE SHEET 1		



CH6



COMPANY PRIVATE
THIS DOCUMENT IS UNCONTROLLED UNLESS
IT IS PART OF A DCB/TOC OR IS VIEW ON LINE.

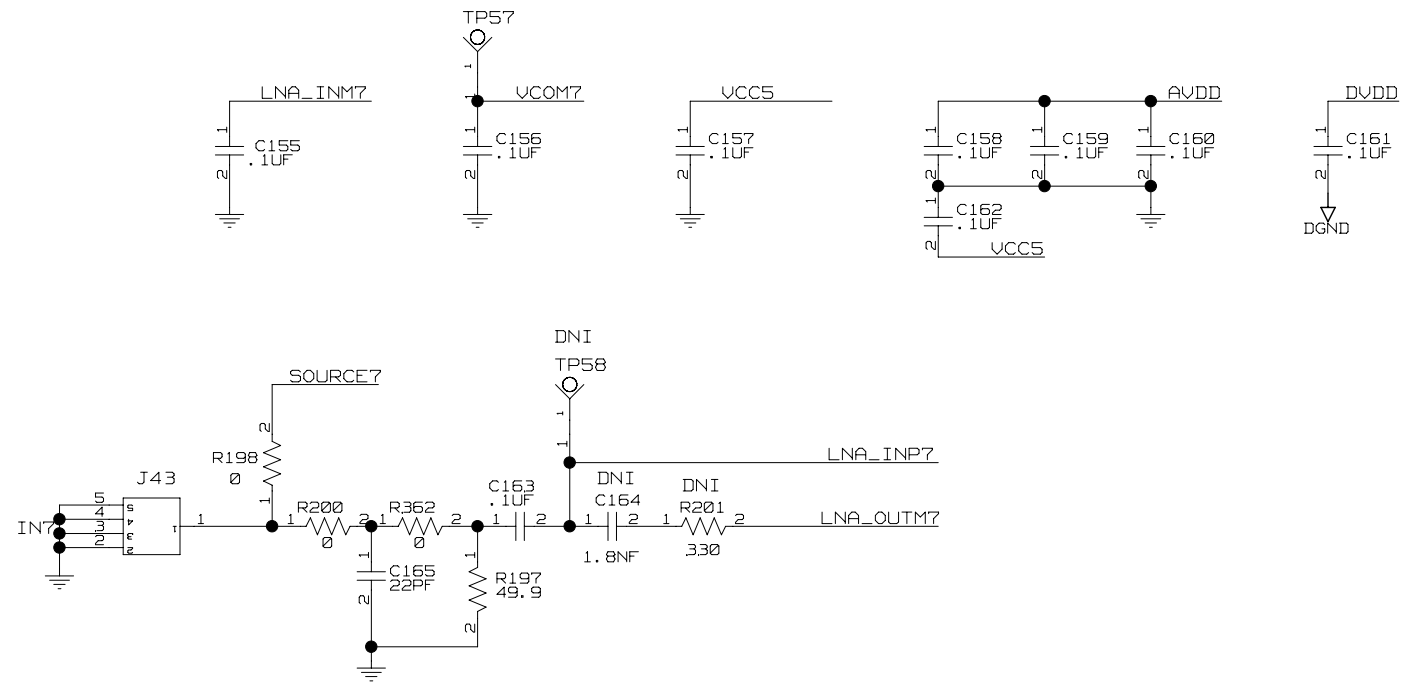
NATIONAL SEMICONDUCTOR™
2900 SEMICONDUCTOR DR., SANTA CLARA, CA 95052

NAME	SIGNATURE	DATE
DRAWN	V. MALINOWSKI	8-11-08
ENGINEER	M. PACHCHIGAR	8-11-08
APPROVED	M. PACHCHIGAR	8-11-08

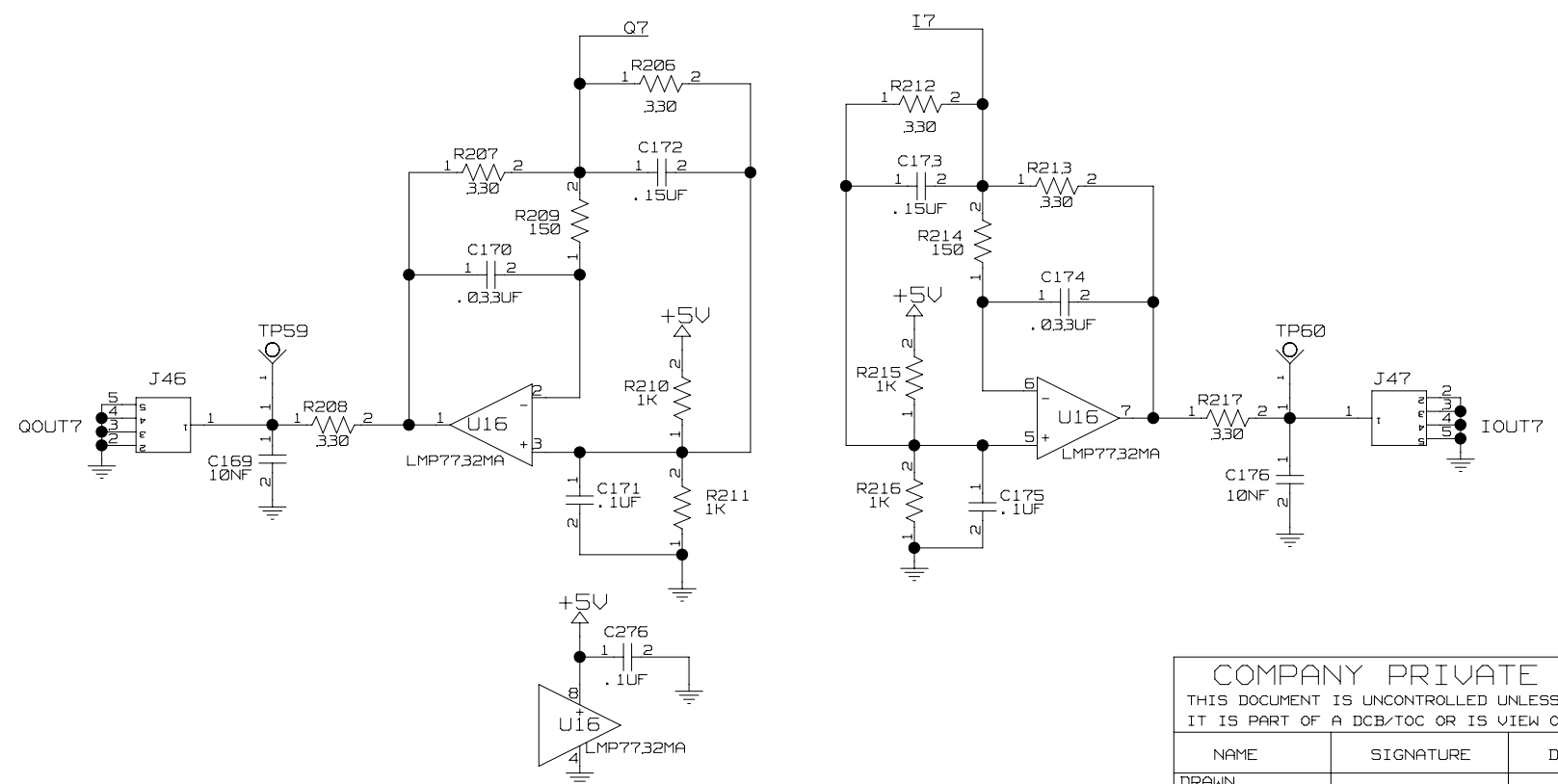
LMH6511 BENCH TEST

C	PART NAME : 8.3-Y6-GZ9-A	7
SHEET	7 OF 14	REV.

REV	ECN	DISCRIPTION	DATE	APP
		SEE SHEET 1		



CH7



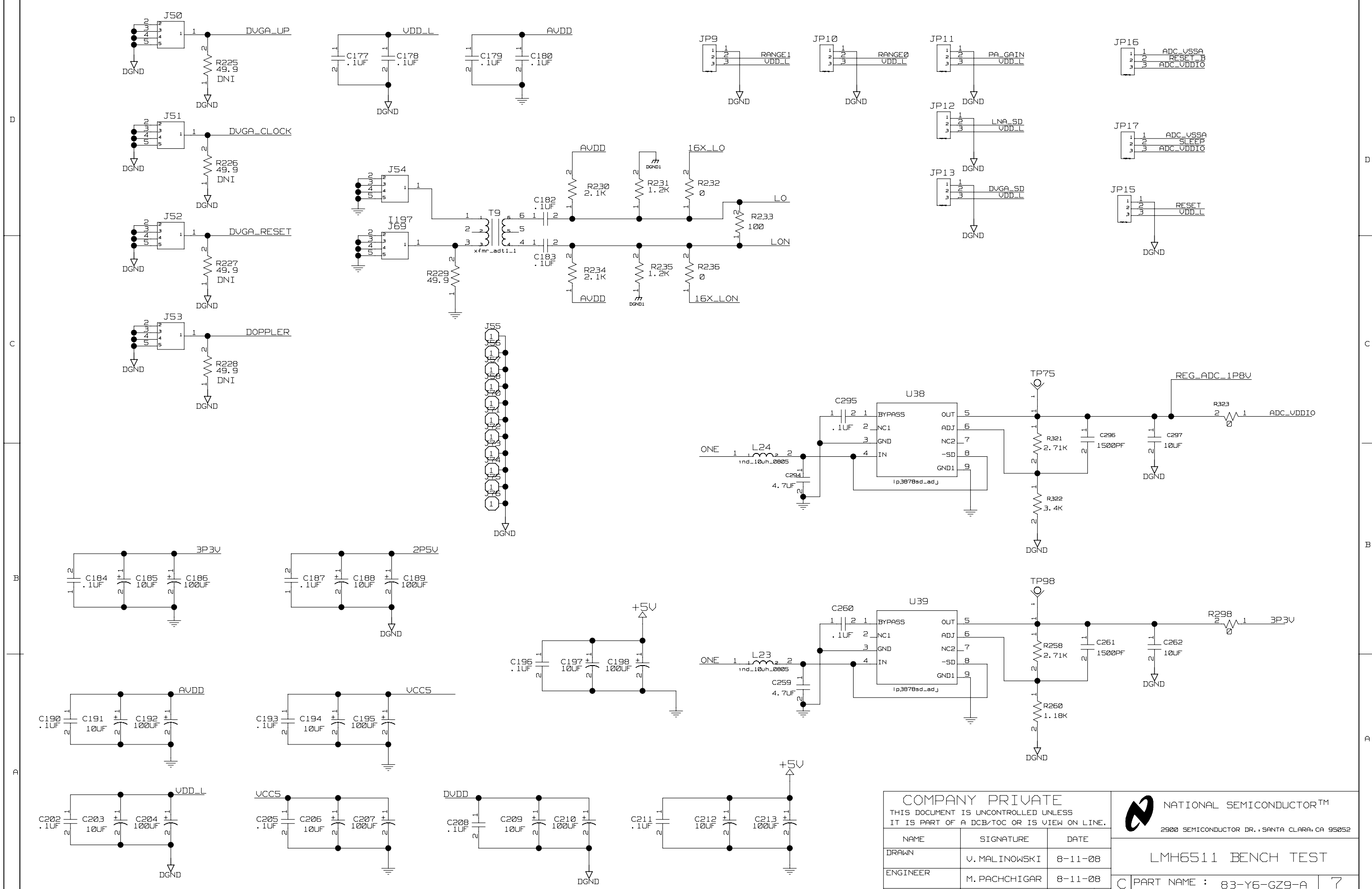
COMPANY PRIVATE
THIS DOCUMENT IS UNCONTROLLED UNLESS
IT IS PART OF A DCB/TOC OR IS VIEW ON LINE.

NAME	SIGNATURE	DATE
DRAWN	V. MALINOWSKI	8-11-08
ENGINEER	M. PACHCHIGAR	8-11-08
APPROVED	M. PACHCHIGAR	8-11-08

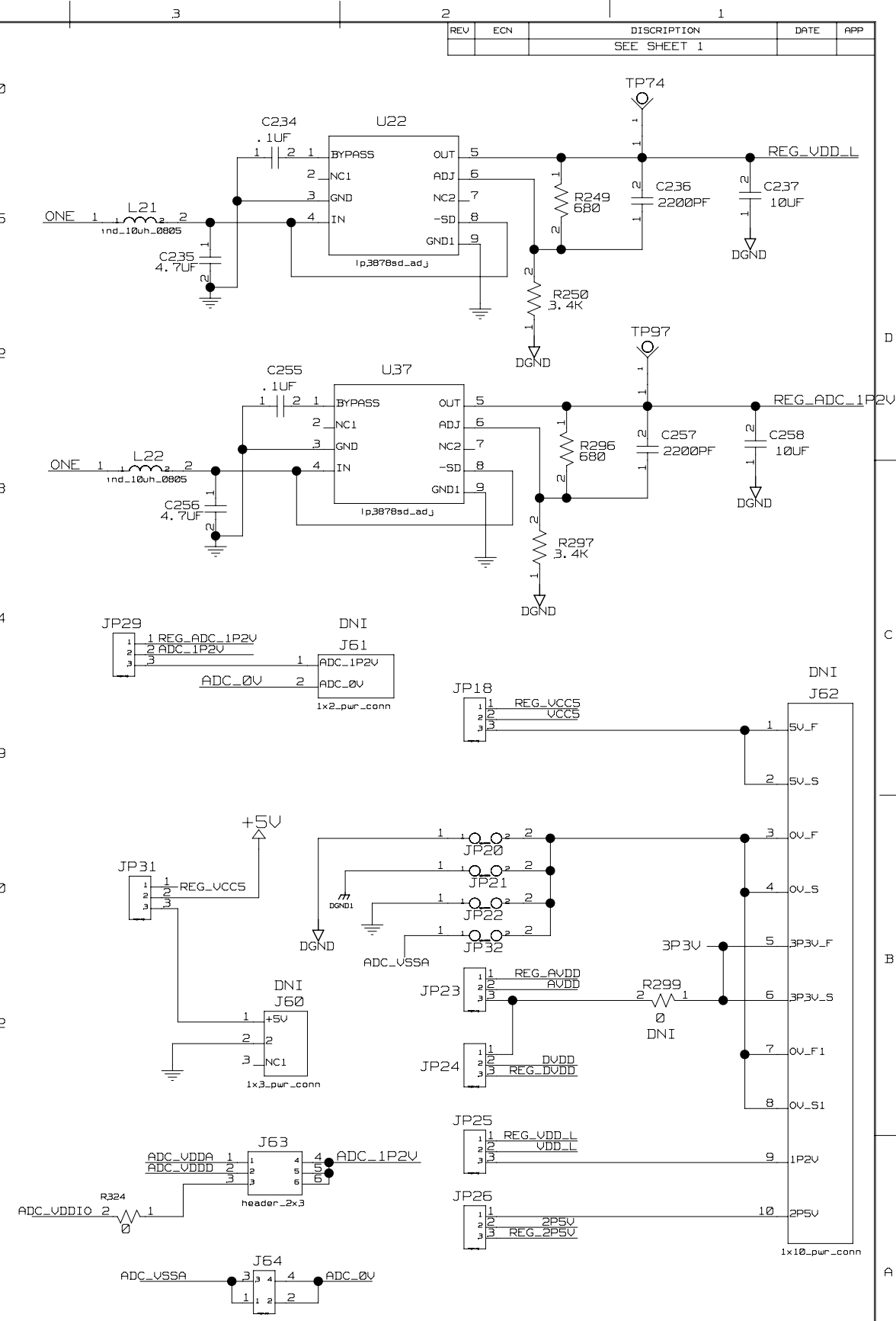
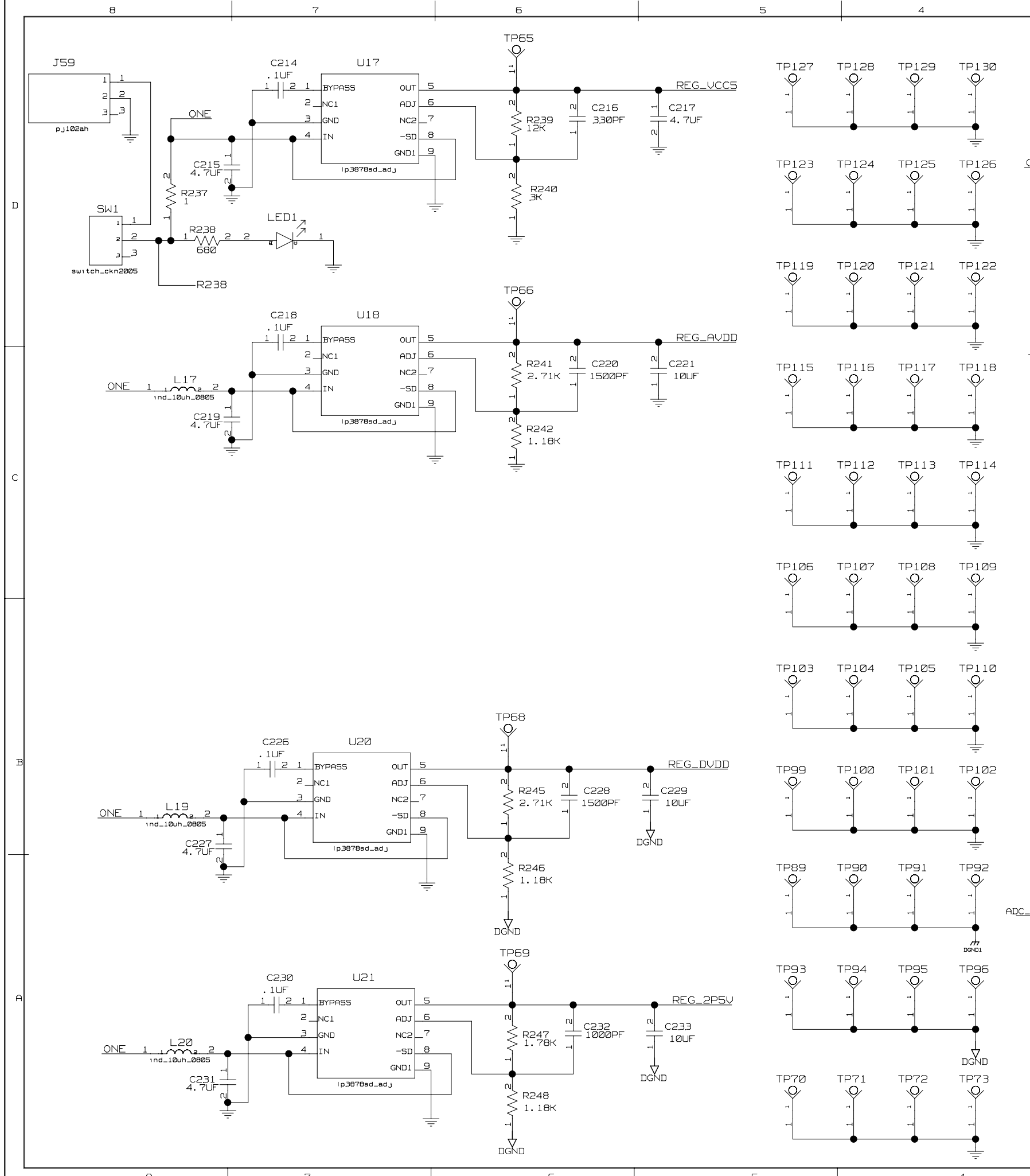
NATIONAL SEMICONDUCTOR™
2900 SEMICONDUCTOR DR., SANTA CLARA, CA 95052

LMH6511 BENCH TEST

C	PART NAME : 83-Y6-GZ9-A	7
SHEET	8 OF 14	REV.



<p>COMPANY PRIVATE</p> <p>THIS DOCUMENT IS UNCONTROLLED UNLESS IT IS PART OF A DCB/TOC OR IS VIEW ON LINE.</p>			<p>NATIONAL SEMICONDUCTOR™</p> <p>2900 SEMICONDUCTOR DR., SANTA CLARA, CA 95052</p>
NAME	SIGNATURE	DATE	
DRAWN	V. MALINOWSKI	8-11-08	<p>LMH6511 BENCH TEST</p> <p>C PART NAME : 83-Y6-GZ9-A 7</p> <p>SHEET 9 OF 14 REV.</p>
ENGINEER	M. PACHCHIGAR	8-11-08	
APPROVED	M. PACHCHIGAR	8-11-08	



COMPANY PRIVATE
THIS DOCUMENT IS UNCONTROLLED UNLESS
IT IS PART OF A DCB/TOC OR IS VIEW ON LINE.

NAME	SIGNATURE	DATE
DRAWN	V. MALINOWSKI	8-11-08
ENGINEER	M. PACHCHIGAR	8-11-08
APPROVED	M. PACHCHIGAR	8-11-08

NATIONAL SEMICONDUCTOR™
2900 SEMICONDUCTOR DR., SANTA CLARA, CA 95052

LMH6511 BENCH TEST

C	PART NAME : 83-Y6-GZ9-A	7
SHEET	10 OF 14	REV.

8

7

6

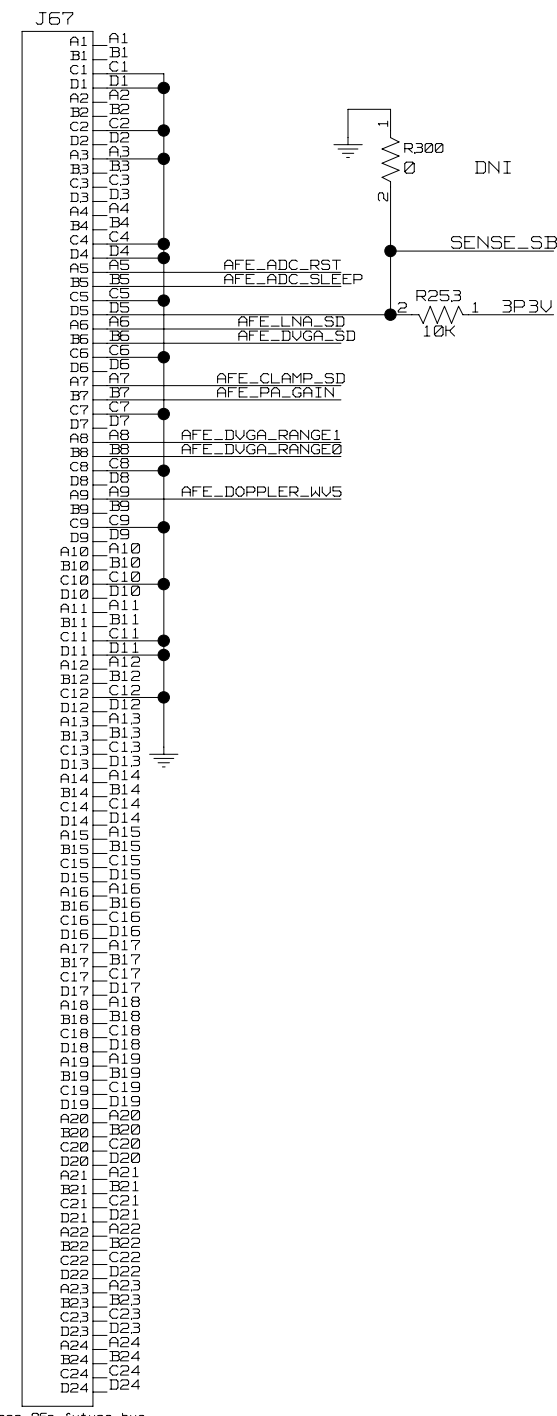
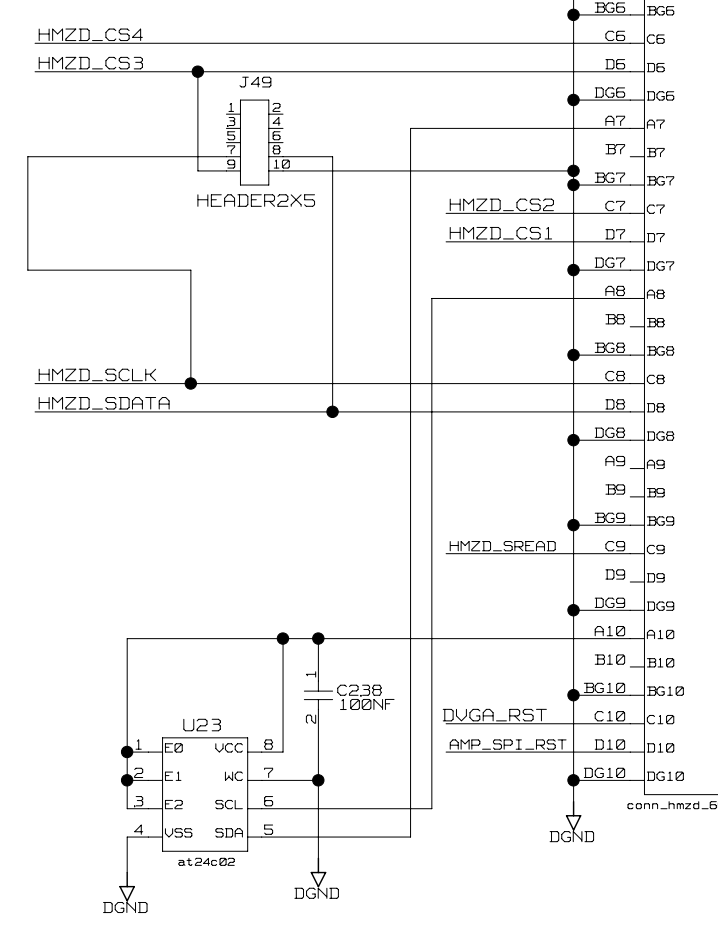
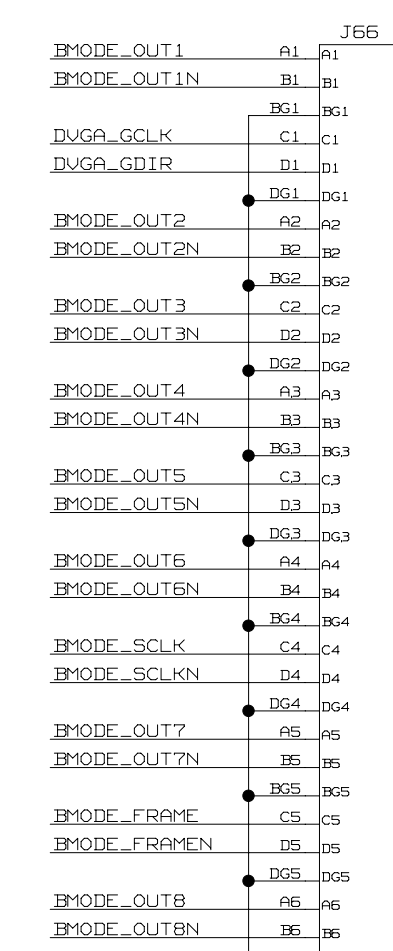
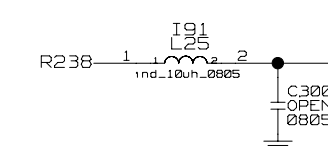
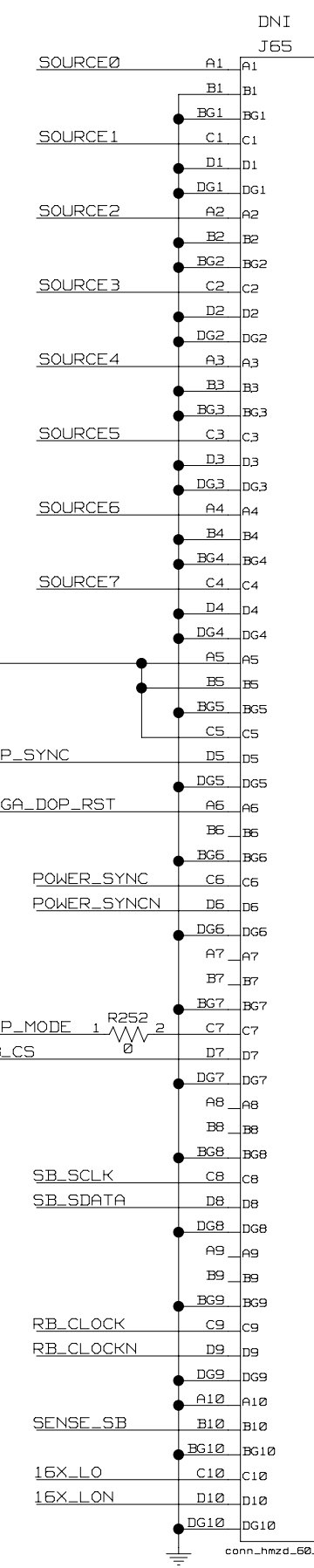
5

4

3

2

1



COMPANY PRIVATE

THIS DOCUMENT IS UNCONTROLLED UNLESS IT IS PART OF A DCB/TOC OR IS VIEW ON LINE.

NAME	SIGNATURE	DATE
DRAWN	V. MALINOWSKI	8-11-08
ENGINEER	M. PACHCHIGAR	8-11-08
APPROVED	M. PACHCHIGAR	8-11-08

NATIONAL SEMICONDUCTOR™

2900 SEMICONDUCTOR DR., SANTA CLARA, CA 95052

LMH6511 BENCH TEST

C	PART NAME : 83-Y6-GZ9-A	7
SHEET	11 OF 14	REV.

8

7

6

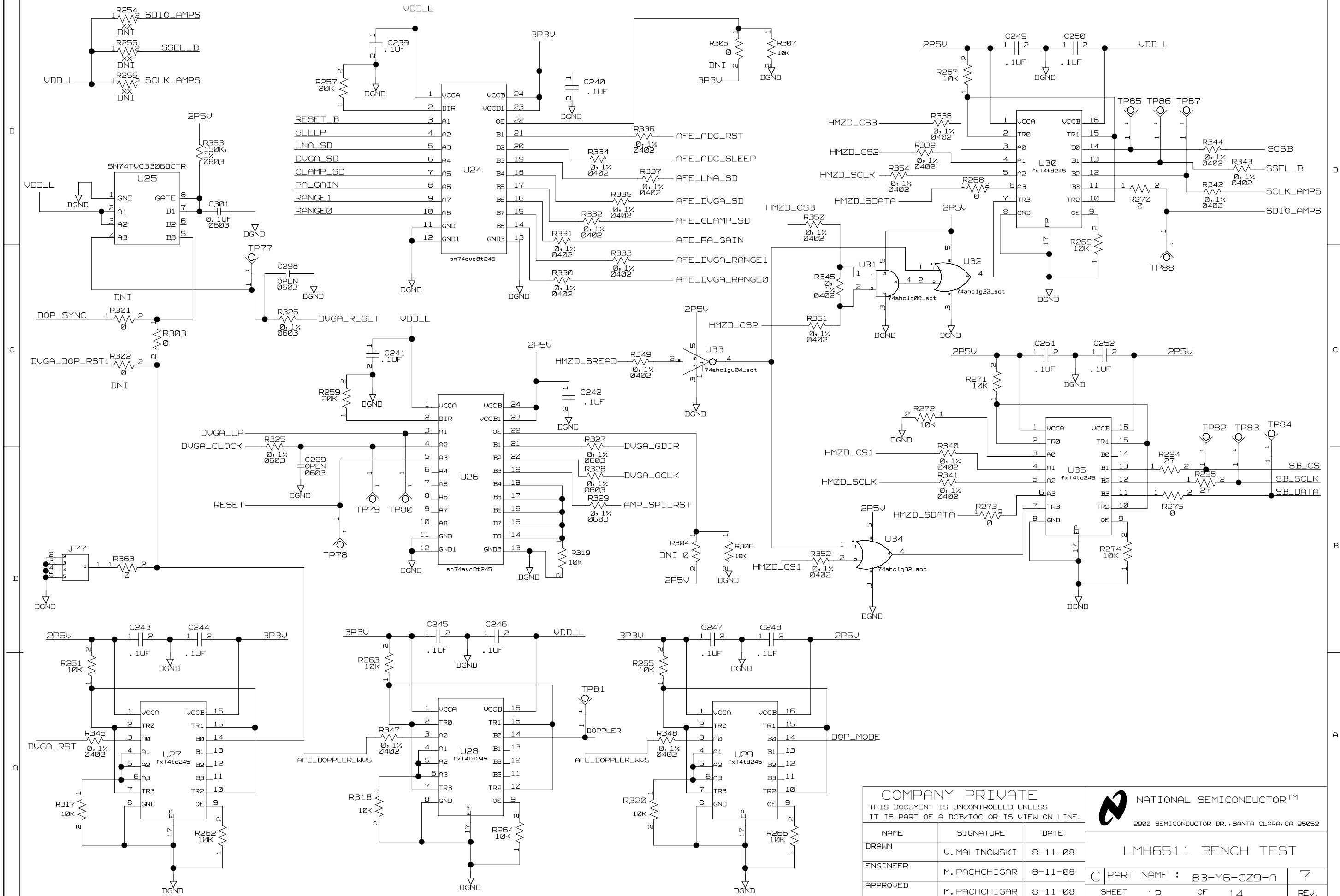
5

4

3

2

1



COMPANY PRIVATE
THIS DOCUMENT IS UNCONTROLLED UNLESS
IT IS PART OF A DCB/TOC OR IS VIEW ON LINE.

NAME	SIGNATURE	DATE
DRAWN	V. MALINOWSKI	8-11-08
ENGINEER	M. PACHCHIGAR	8-11-08
APPROVED	M. PACHCHIGAR	8-11-08

NATIONAL SEMICONDUCTOR™
2900 SEMICONDUCTOR DR., SANTA CLARA, CA 95052

LMH6511 BENCH TEST

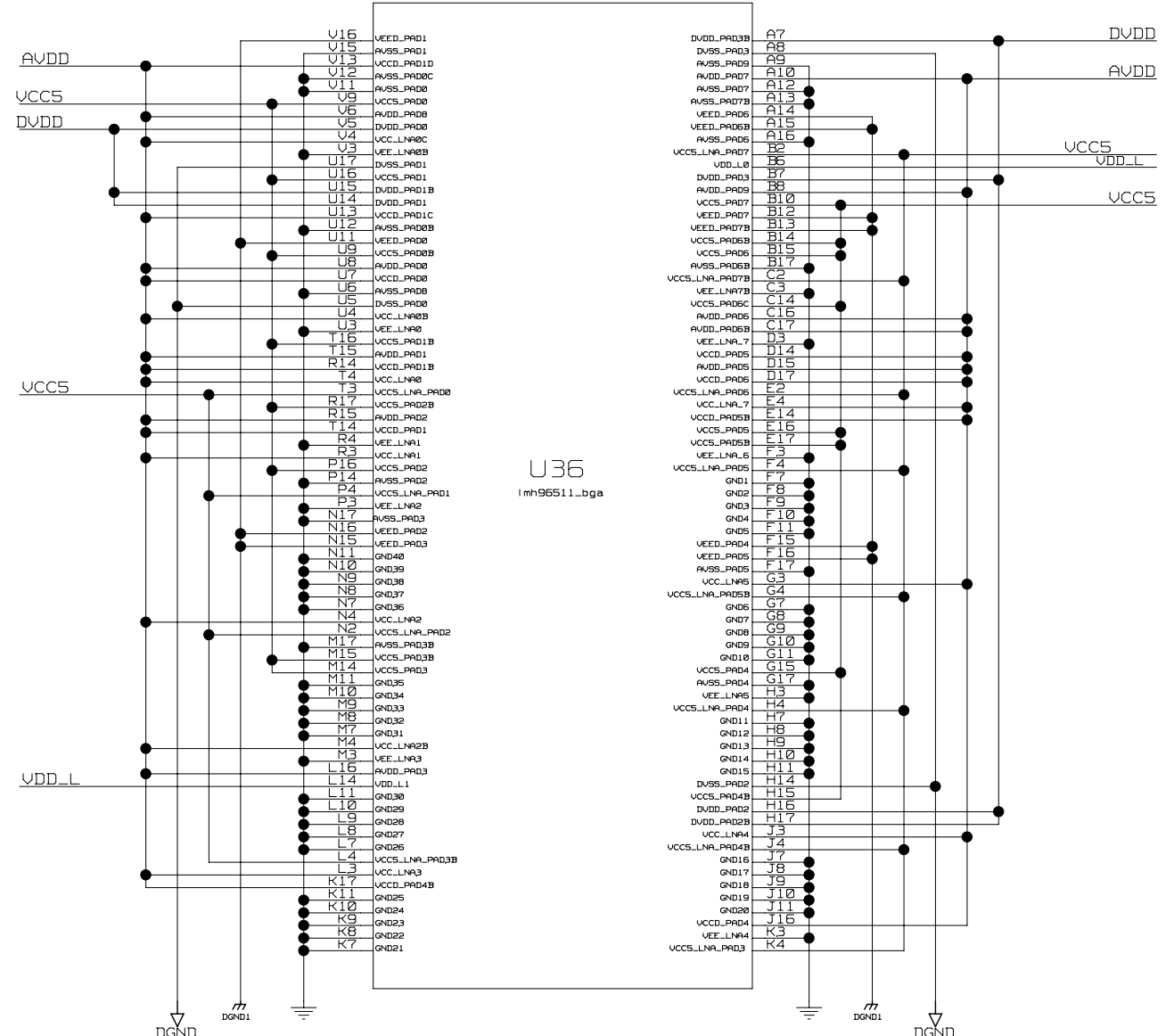
C	PART NAME : 83-Y6-GZ9-A	7
SHEET	12 OF 14	REV.

REV	ECN	DISCRIPTION	DATE	APP
		SEE SHEET 1		

AMP

Q1	U17	Q1	LNA_SD	A1	LNA_SD
I1	U14	I1	DVGA_SD	A2	DVGA_SD
I0	U10	I0	RESET	A3	RESET
UCOM0	U8	UCOM0	SCSB	A4	SCSB
	U7	NC1	SSEL_B	A5	SSEL_B
LNA_OUTM0	U2	LNA_OUTM0	RANGE1	A6	RANGE1
LNA_INM0	U1	LNA_INM0		A11	I7
Q0	U10	Q0		A17	O6
	U2	NC2	PA_GAIN	B1	PA_GAIN
LNA_INP0	U1	LNA_INP0	SCLK	B3	SCLK_AMPS
UCOM1	T17	UCOM1	SDIO	B4	SDIO_AMPS
LNA_INM1	T2	LNA_INM1	RANGE0	B5	RANGE0
LNA_OUTM1	T1	LNA_OUTM1	UCOM7	B9	UCOM7
UCOM2	R16	UCOM2		B11	O7
	R2	NC3		B16	I6
LNA_INP1	R1	LNA_INP1	NC6	C1	
Q2	P17	Q2	NC7	C4	
I2	P15	I2	UCOM6	C15	UCOM6
LNA_INM2	P2	LNA_INM2	LNA_INM7	D1	LNA_INM7
LNA_OUTM2	P1	LNA_OUTM2	LNA_INP7	D2	LNA_INP7
Q3	N14	Q3	LNA_OUTM7	D4	LNA_OUTM7
	N3	NC4	UCOM5	D16	UCOM5
LNA_INP2	N1	LNA_INP2	LNA_INP6	E1	LNA_INP6
I3	M16	I3	NC8	E3	
LNA_INM3	M2	LNA_INM3	I5	E15	I5
LNA_OUTM3	M1	LNA_OUTM3	LNA_OUTM6	F1	LNA_OUTM6
DVGA_UP	L17	DVGA_UP	LNA_INM6	F2	LNA_INM6
UCOM3	L15	UCOM3	LNA_INP6	F14	O5
	L2	NC5	LNA_INP5	G1	LNA_INP5
LNA_INP3	L1	LNA_INP3	NC9	G2	
DOPPLER	K16	DOPPLER	Q4	G14	O4
DVGA_RESET	K15	DVGA_RESET	I4	G16	I4
DVGA_CLOCK	K14	DVGA_CLOCK	LNA_OUTM5	H1	LNA_OUTM5
LNA_INM4	K2	LNA_INM4	LNA_INM5	H2	LNA_INM5
LNA_OUTM4	K1	LNA_OUTM4	LNA_INP4	J1	LNA_INP4
UCOM4	J17	UCOM4	NC10	J2	
LON	J15	LON	LO	J14	LO

U36
lmh96511_bga



COMPANY PRIVATE
THIS DOCUMENT IS UNCONTROLLED UNLESS
IT IS PART OF A DCB/TOC OR IS VIEW ON LINE.

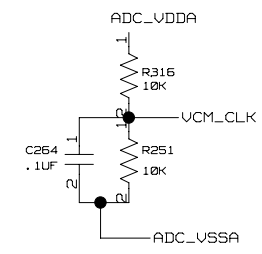
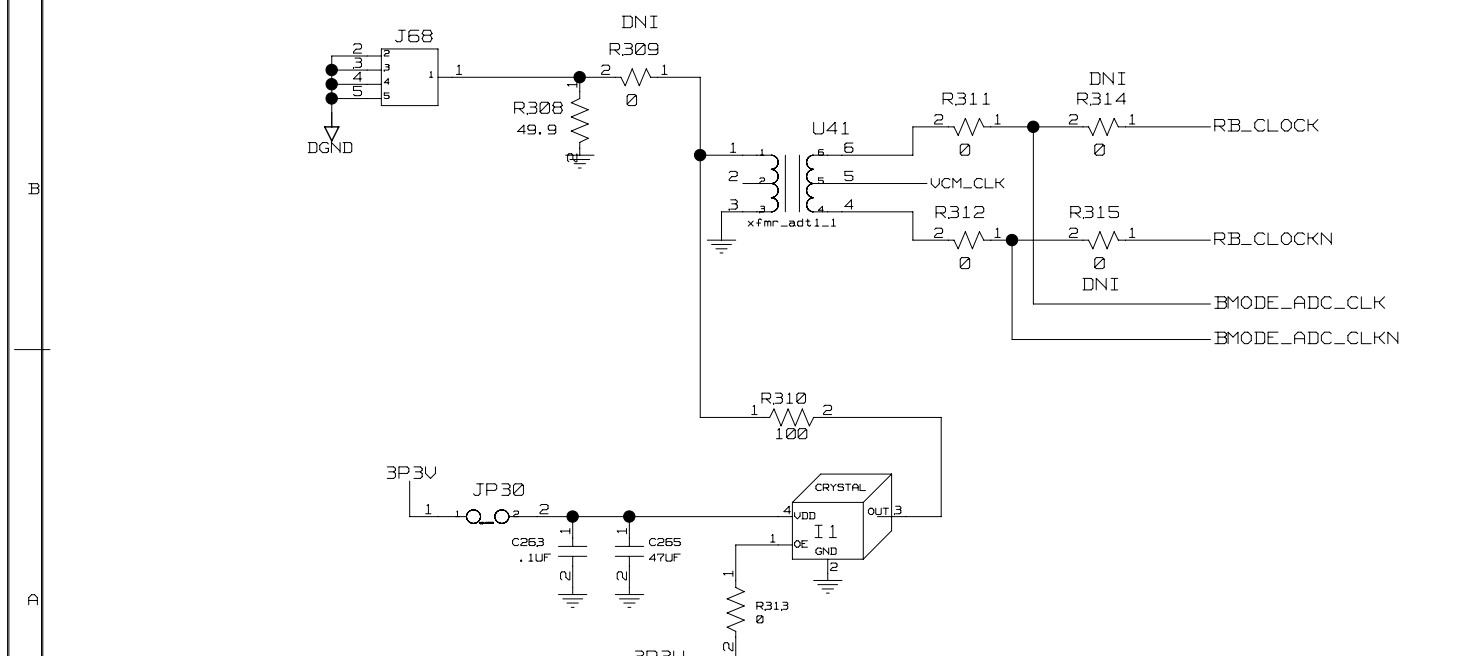
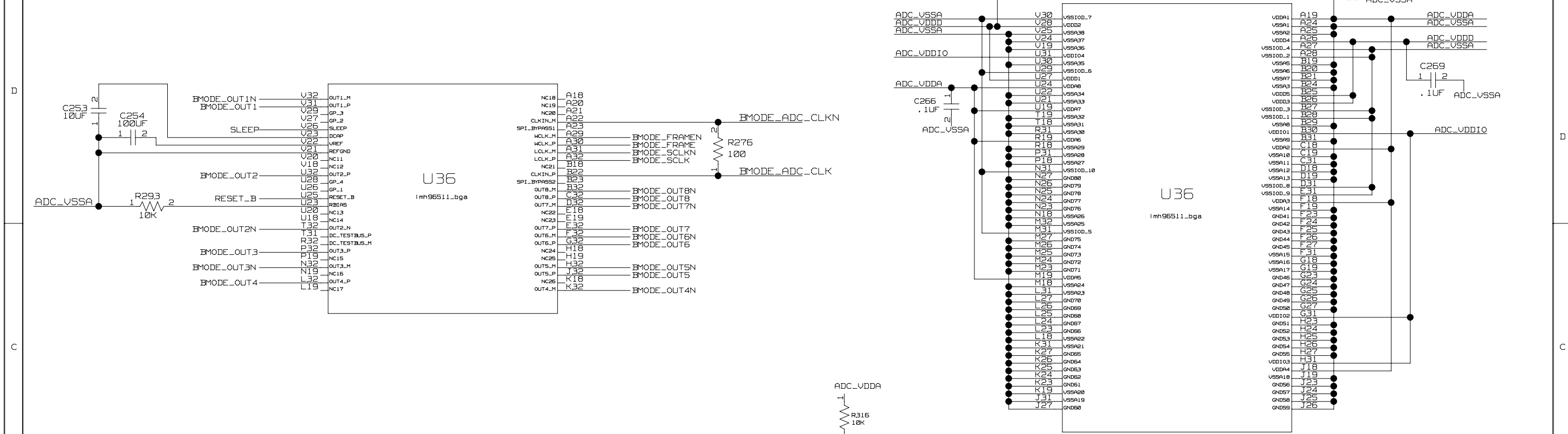
NATIONAL SEMICONDUCTOR™
2900 SEMICONDUCTOR DR., SANTA CLARA, CA 95052

NAME	SIGNATURE	DATE
DRAWN	V. MALINOWSKI	8-11-08
ENGINEER	M. PACHCHIGAR	8-11-08
APPROVED	M. PACHCHIGAR	8-11-08

LMH6511 BENCH TEST

C	PART NAME : 83-Y6-GZ9-A	7
SHEET	13	OF 14
REV.		

DCS



COMPANY PRIVATE THIS DOCUMENT IS UNCONTROLLED UNLESS IT IS PART OF A DCB/TOC OR IS VIEW ON LINE.			NATIONAL SEMICONDUCTOR™ 2900 SEMICONDUCTOR DR., SANTA CLARA, CA 95052
NAME	SIGNATURE	DATE	
DRAWN	V. MALINOWSKI	8-11-08	LMH6511 BENCH TEST
ENGINEER	M. PACHCHIGAR	8-11-08	
APPROVED	M. PACHCHIGAR	8-11-08	C PART NAME : 83-Y6-GZ9-A
			7
			SHEET 14 OF 14
			REV.