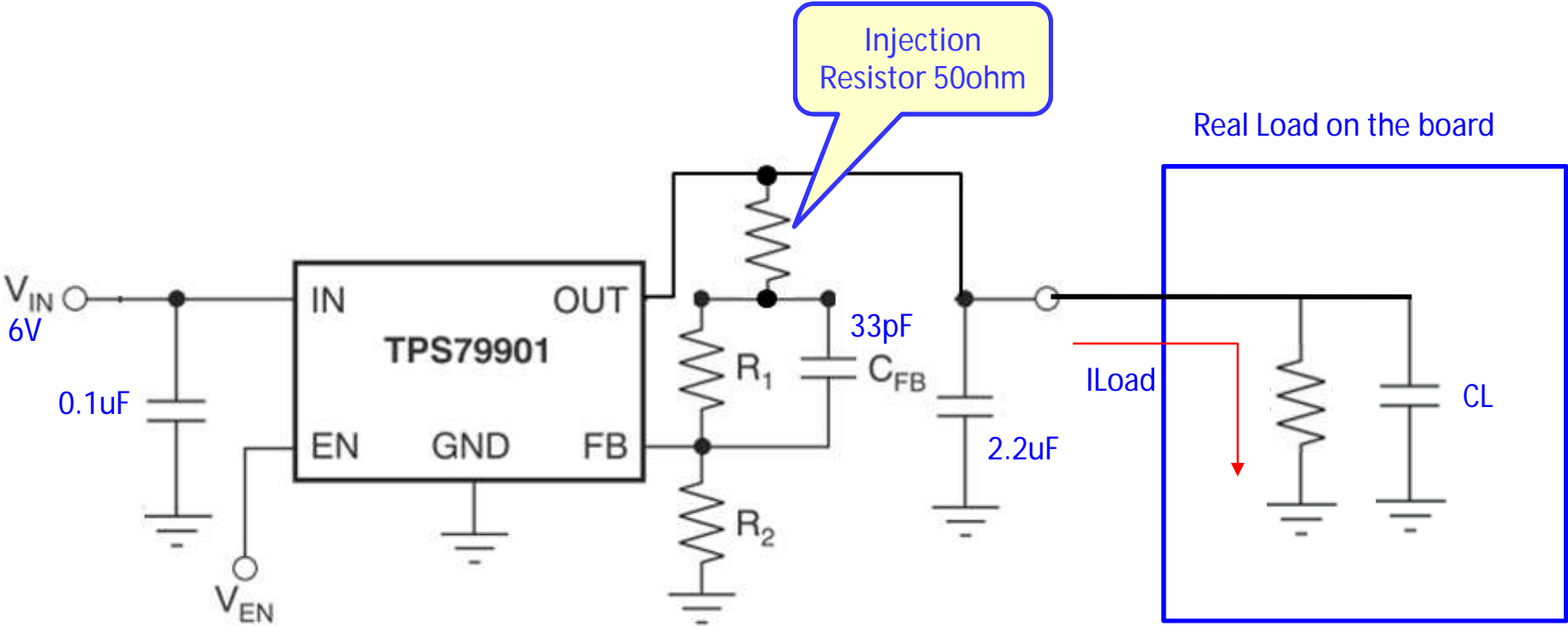


Gain/Phase test circuit



Circuit parameter of 3.3V and 2.8V out

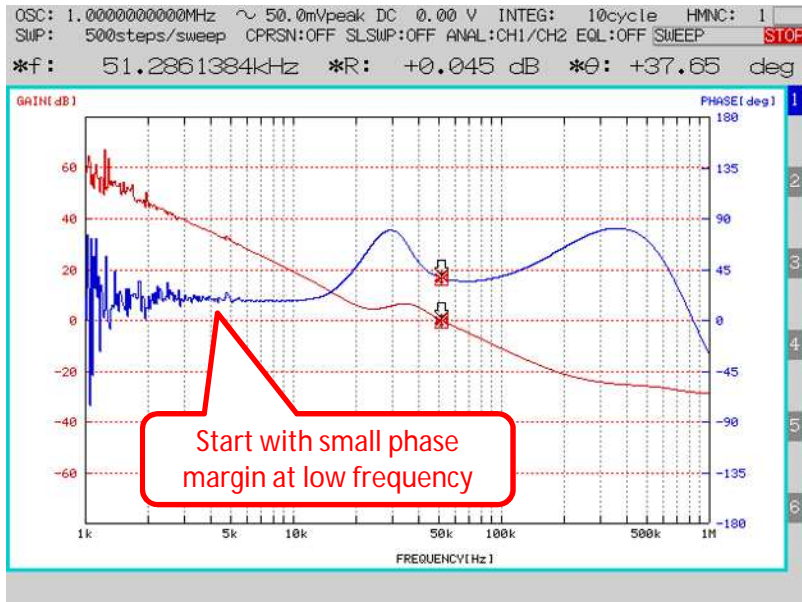
Vout	R1	R2	CL	Iload
3.3V	3.3k ohm	1.87k ohm	15uF	130mA
2.8V	3.2k ohm	2.4k ohm	280uF	70mA

Gain/Phase Result

3.3V Out

Crossover frequency: 51kHz

Phase margin: 37degree



2.8V Out

Crossover frequency: 6.4kHz

Phase margin: 92degree

