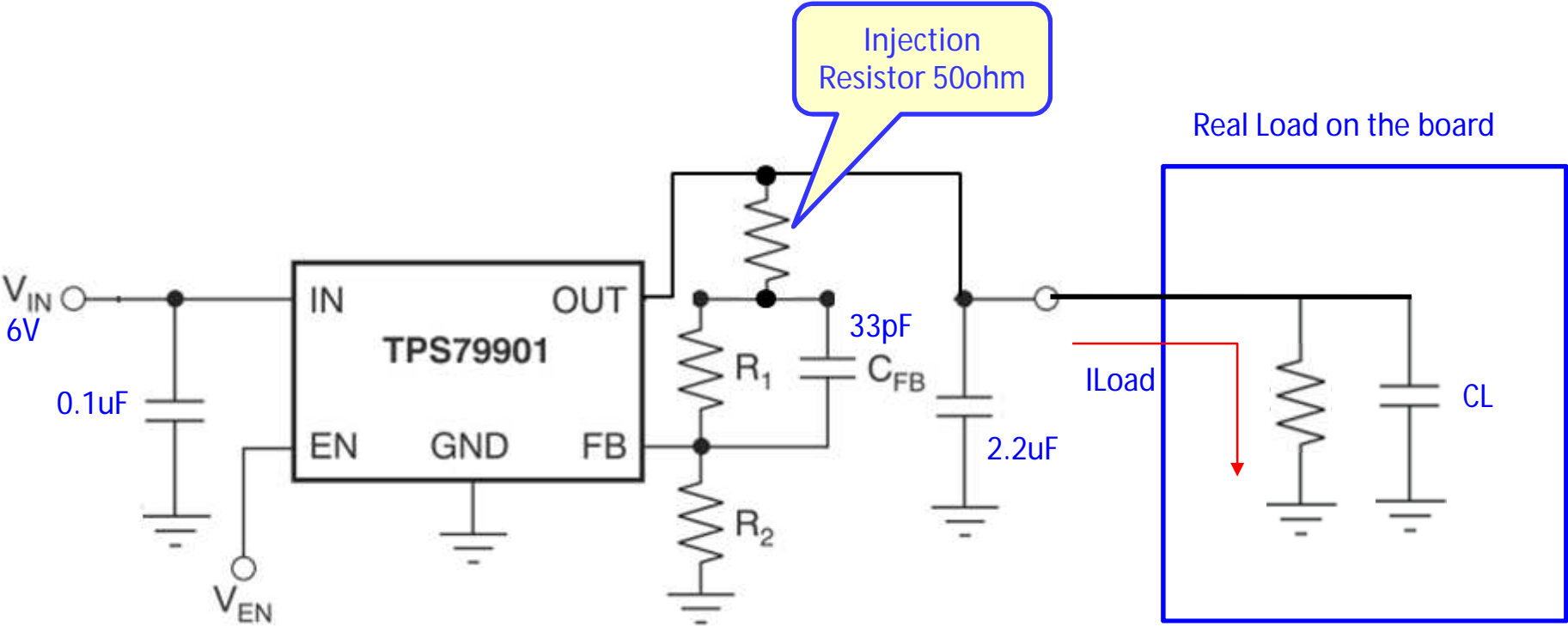


# Gain/Phase test circuit

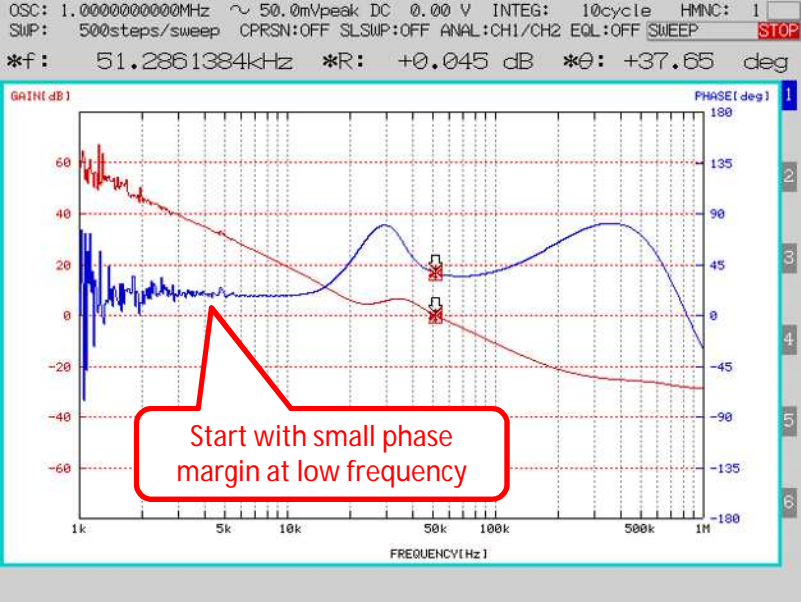


Circuit parameter of 3.3V and 2.8V out

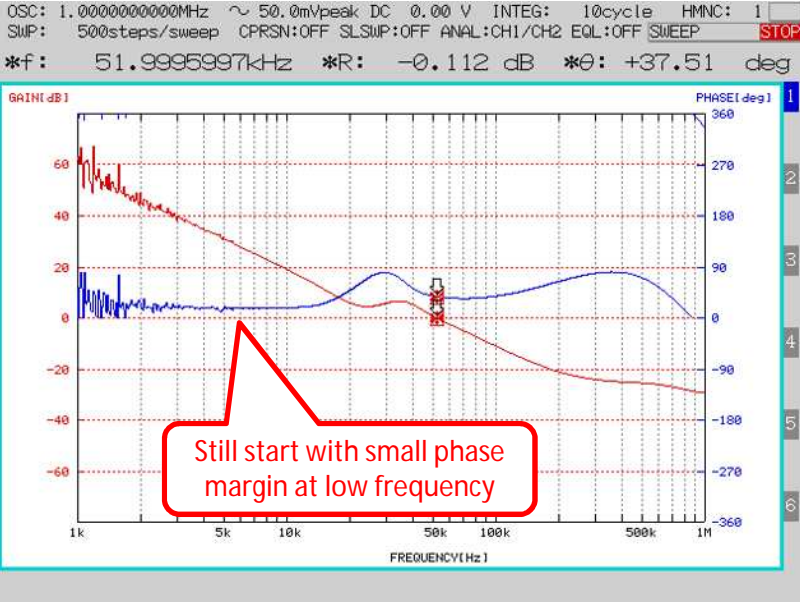
Vout	R1	R2	CL	ILoad
3.3V	3.3k ohm	1.87k ohm	15uF	130mA
2.8V	3.2k ohm	2.4k ohm	280uF	70mA

# Gain/Phase Result

3.3V Out  
Display Phase Range is +180 degree to -180 degree

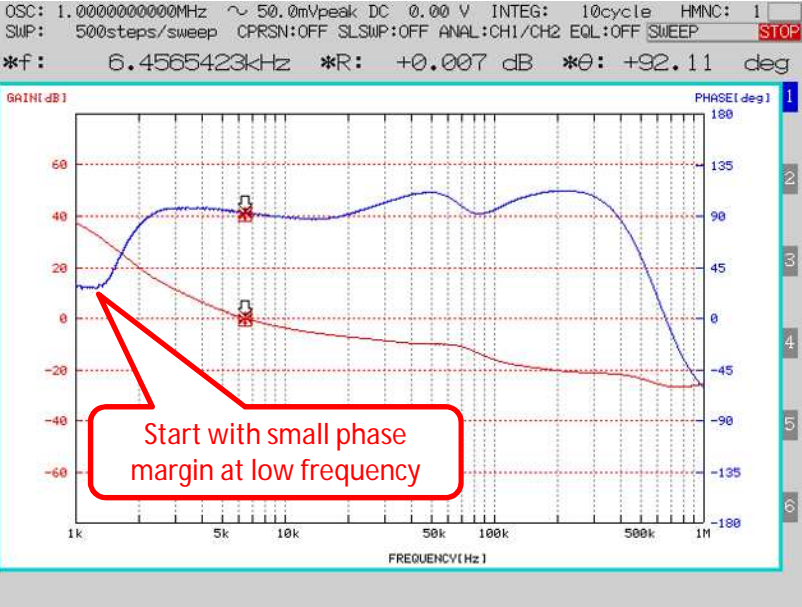


3.3V Out  
Display Phase Range is +360 degree to -360 degree



# Gain/Phase Result

2.8V Out  
Display Phase Range is +180 degree to -180 degree



2.8V Out  
Display Phase Range is +360 degree to -360 degree

