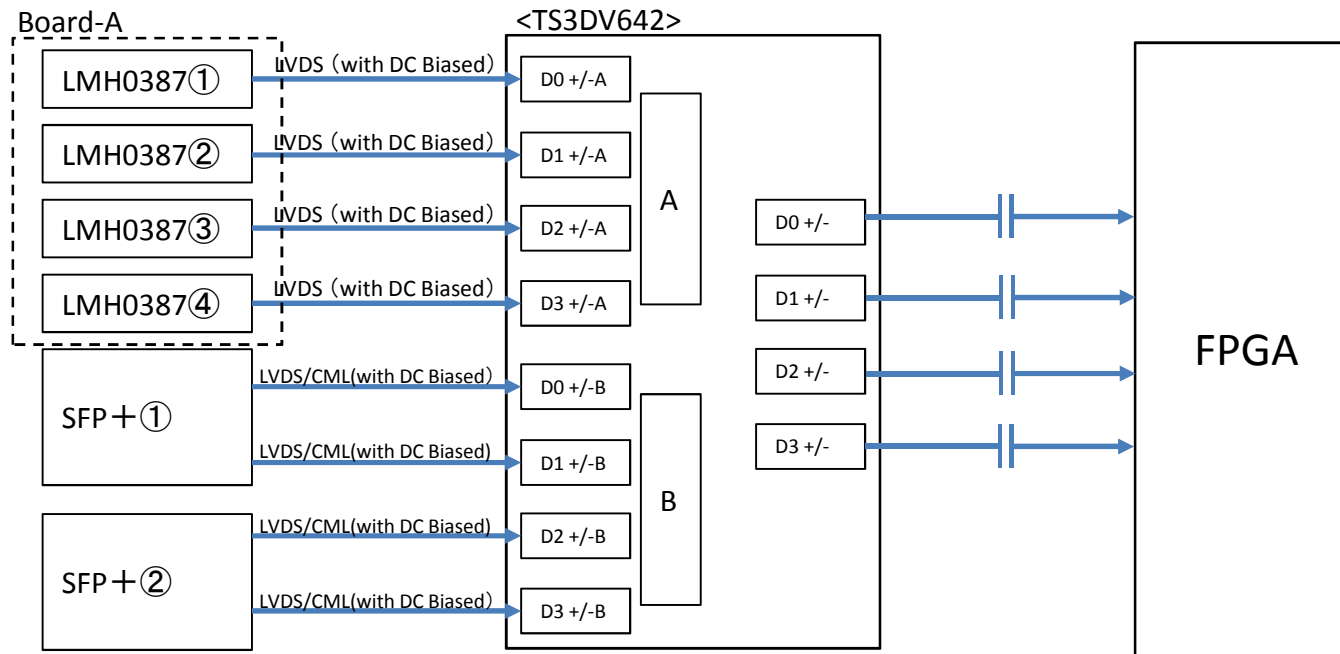


—Detail of connection to TS3DV642—

①Pattern1: Board-A, SFP+① and SFP+②



②Pattern2: Board-B, SFP+① and SFP+②

