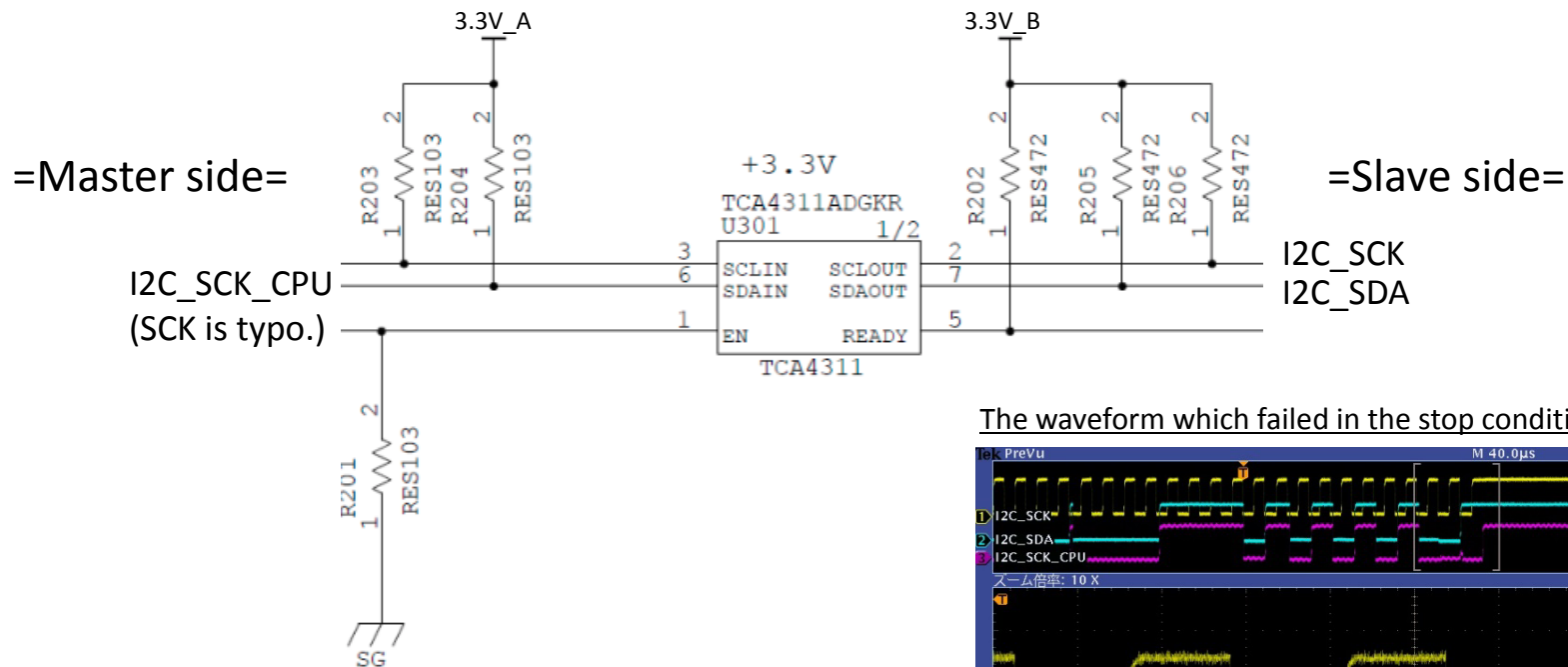
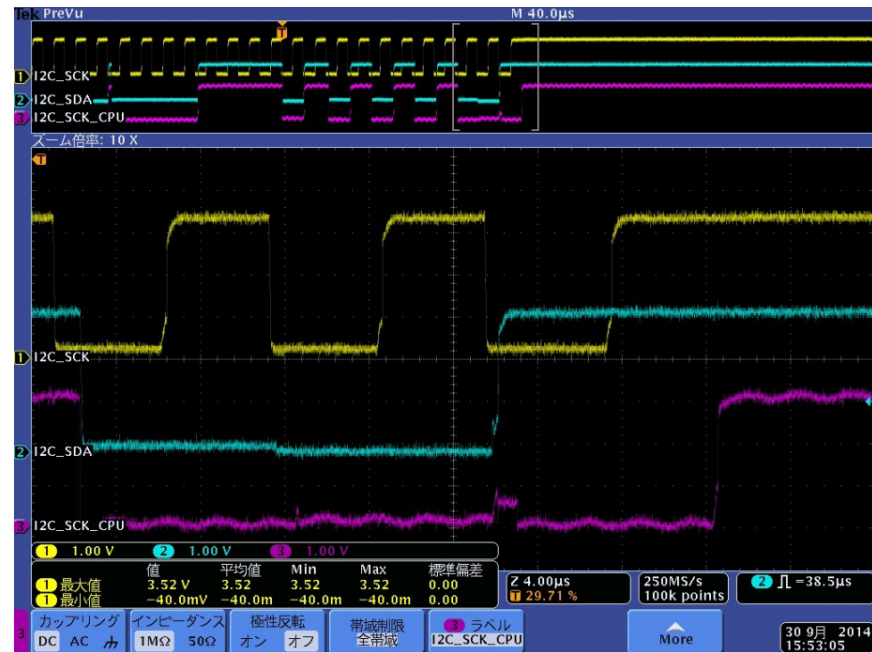


Customer schematic & The waveform which failed in the stop condition



The waveform which failed in the stop condition



[Q1]

- Why did it fail in the stop condition in the slave side?
- Please tell me what they should do to operate it normally.

[Q2]

It worked normally when they changed R203&R204 to 4.7kΩ.
 Why does it seem to be?
 Can you explain the reason?