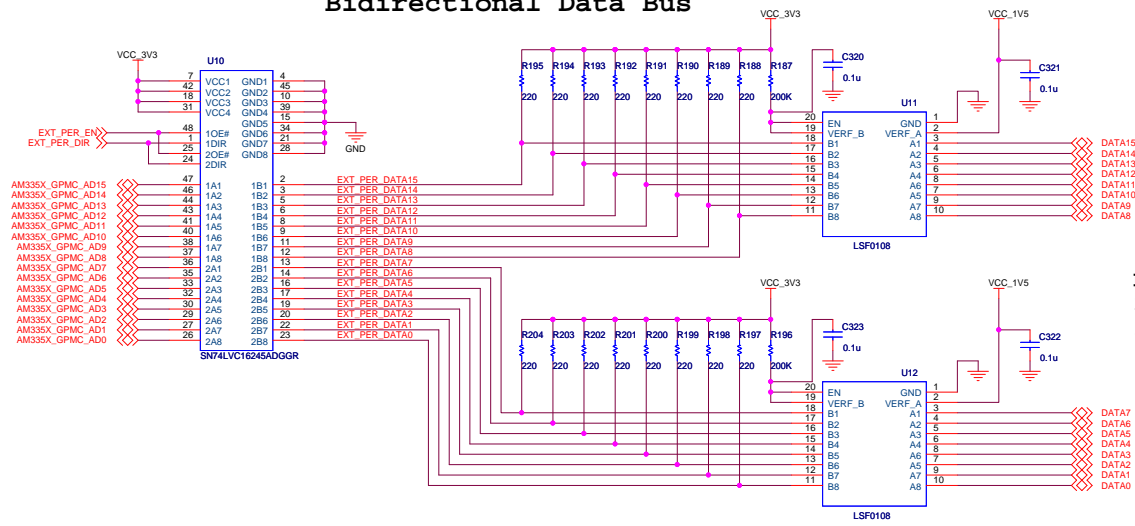


Bidirectional Data Bus



NOTE:
 1.Data Go To Or Come From FPGA(1.5V COMS);
 2.Data Rate > 30bps per channel (16 in all).