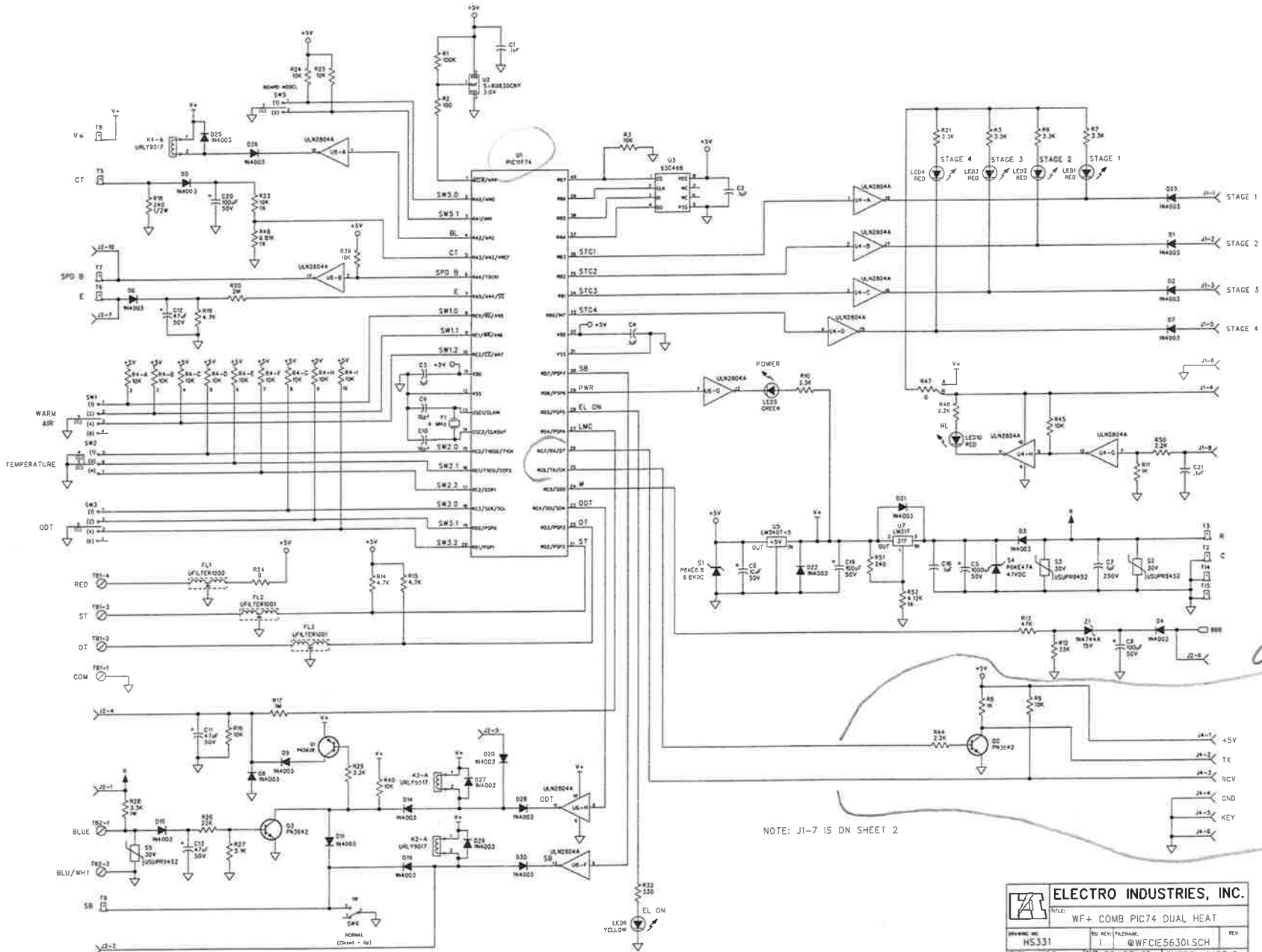


Bluetooth to TTL  
PIC micro  
WJS 11/13/14

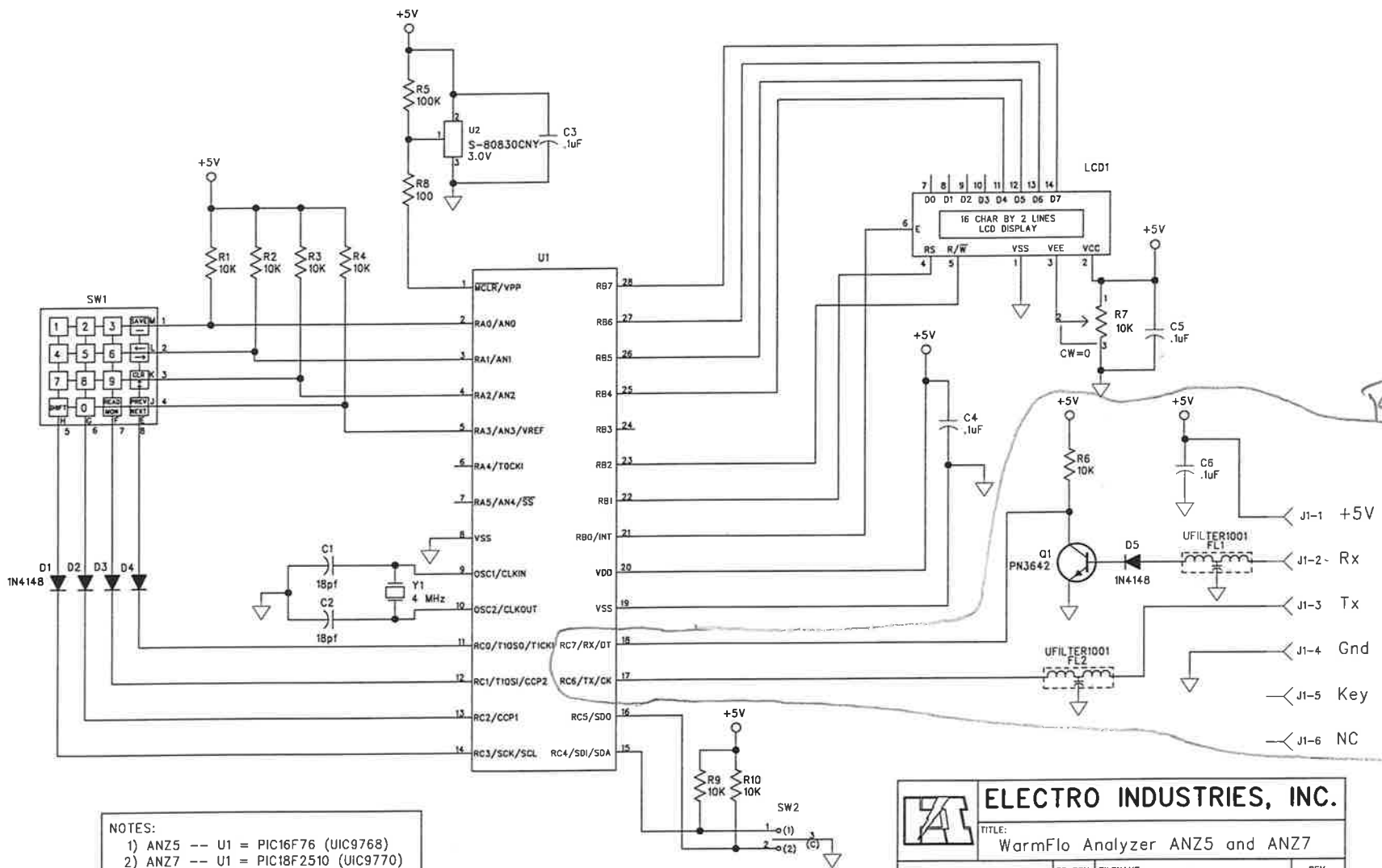


*Controller,  
Host*

NOTE: J1-7 IS ON SHEET 2

<b>ELECTRO INDUSTRIES, INC.</b>			
TITLE: WF+ COMB PIC74 DUAL HEAT			
DESIGNED BY: HSJ31	REV: 1	DATE: 09-07-10	REV: 1
DRAWN BY: MCO		SHEET: 1 OF 2	

**A**

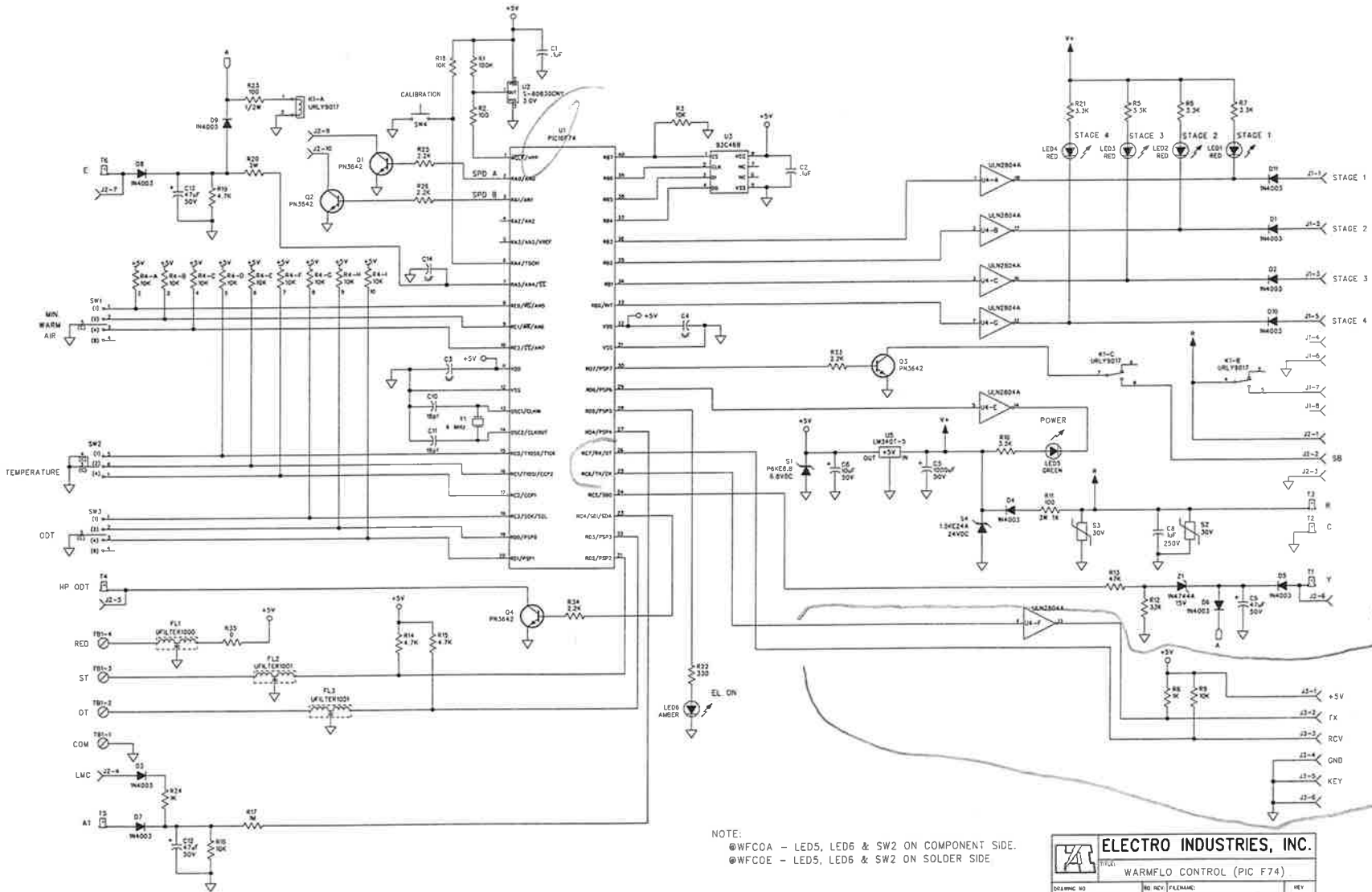


NOTES:  
 1) ANZ5 -- U1 = PIC16F76 (UIC9768)  
 2) ANZ7 -- U1 = PIC18F2510 (UIC9770)

*Remote*

ELECTRO INDUSTRIES, INC.			
TITLE: WarmFlo Analyzer ANZ5 and ANZ7			
DRAWING NO: HS012	BD REV: C	FILENAME: @WFAN56703C.SCH	REV:
DRAWN: MCO	DATE: 02-12-08	SHEET: 1 OF 1	

**B**

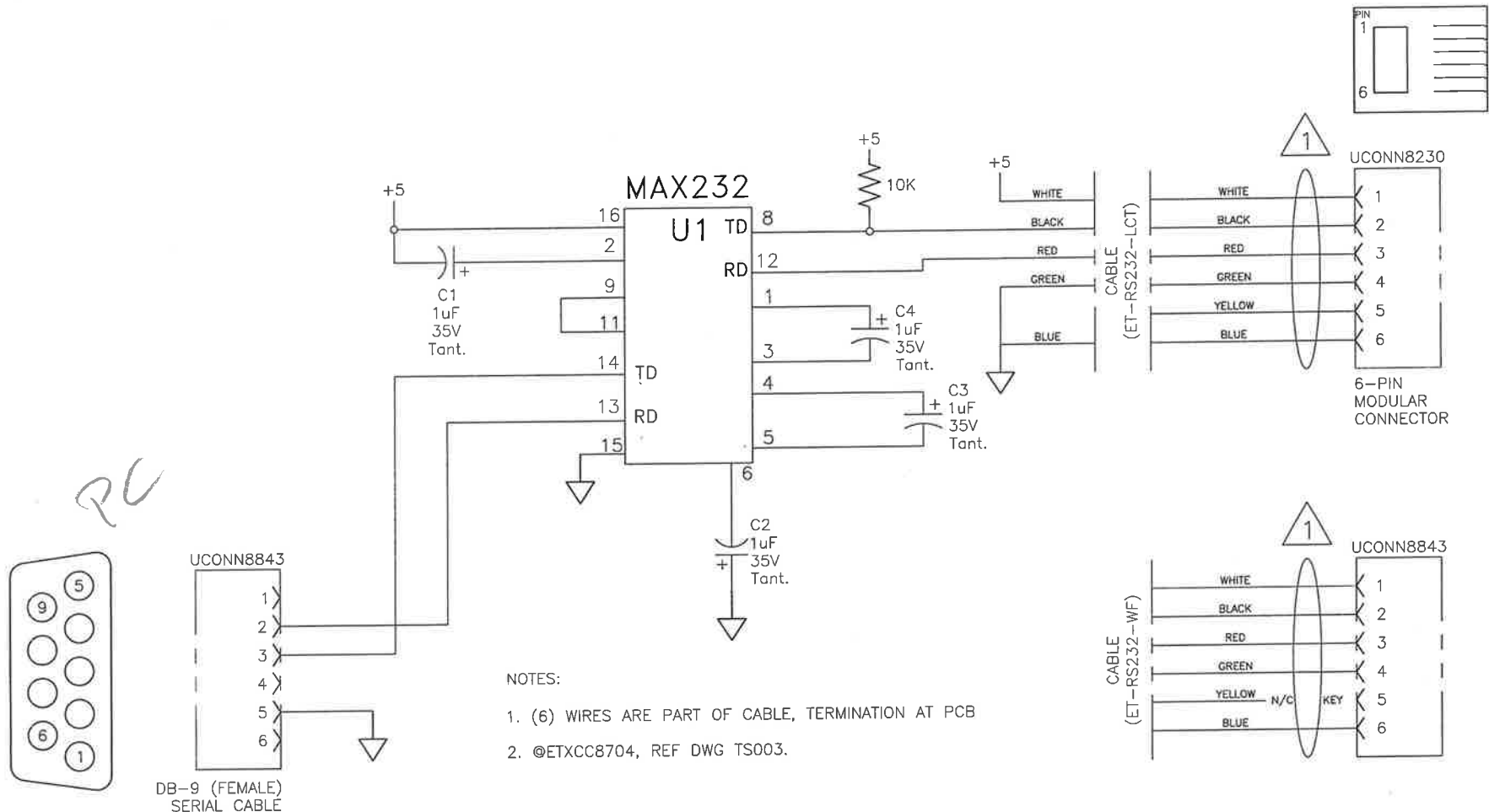


*Contractor Host*

NOTE:  
 @WFCOA - LED5, LED6 & SW2 ON COMPONENT SIDE.  
 @WFCOE - LED5, LED6 & SW2 ON SOLDER SIDE

<b>ELECTRO INDUSTRIES, INC.</b>			
TITEL: WARMFLO CONTROL (PIC F74)			
DRAWING NO	REV	REV	REV
HS320	G	@WFCOx5615G-B	SCH B
DATE	REV	REV	REV
MCO	08-19-10		SHEET: 7 OF 1

*C*



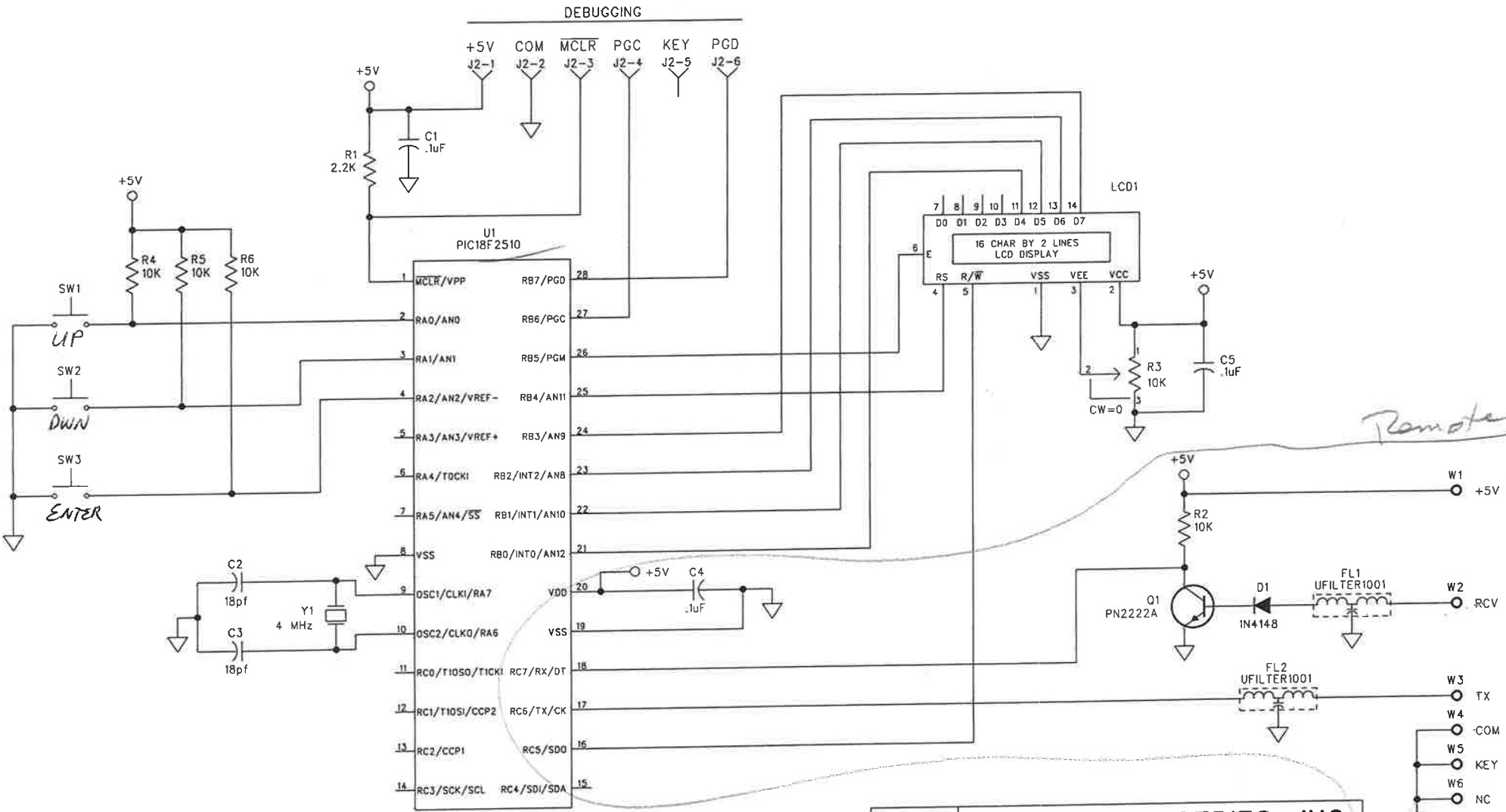
NOTES:

1. (6) WIRES ARE PART OF CABLE, TERMINATION AT PCB
2. ©ETXCC8704, REF DWG TS003.


RC

D

F03-15-04 REVISED	ELECTRO INDUSTRIES, INC. MONTICELLO, MN 55362		DESCRIPTION PALM INTERFACE FOR ETDA/WARMFLO ET-RS232-(ETDA, WF)		
	DRAWN MEF	REFERENCE DOCUMENT ---		SCALE NTS	PART/ASSY/MODEL NUMBER ET-RS232-***
	CHECKED 	VIEW/DRAWING TYPE SCHEMATIC		SHEET 1/1	DOCUMENT NUMBER TS303
	APPROVED 	DRAWING STATUS RELEASED	DOCUMENT DATE 12-01-92		



*Remote*

 <b>ELECTRO INDUSTRIES, INC.</b>			
TITLE: PSP PLUG IN LCD MODULE			
DRAWING NO: UPCB2277	BD REV:	FILENAME: UPCB2277.SCH	REV:
DRAWN: MCO	DATE: 10-13-14	SHEET: 1 OF 1	

**E**