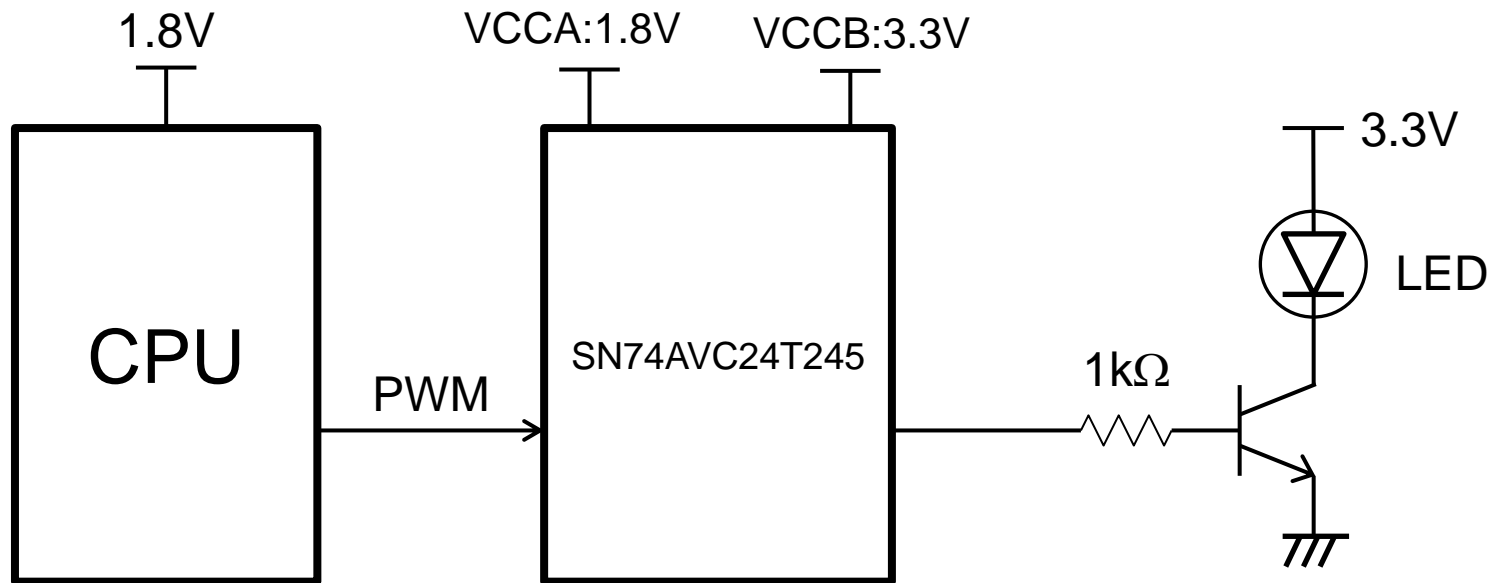


# Customer's block diagram



# SN74AVC24T245 timing chart

