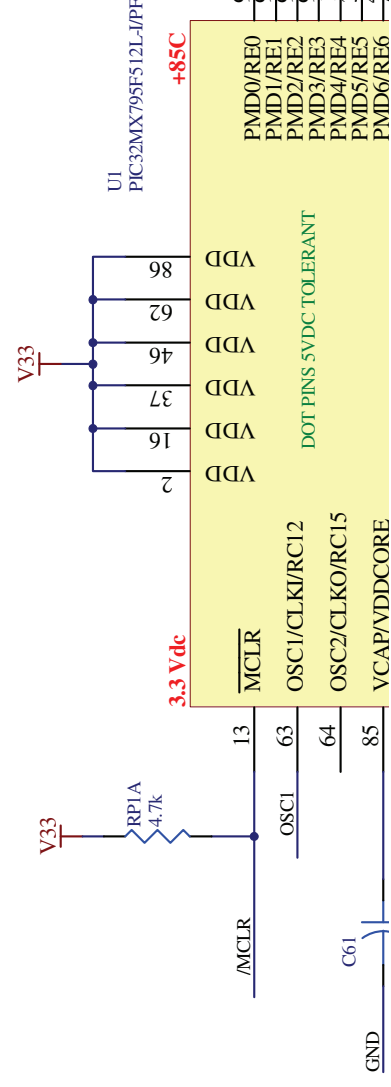
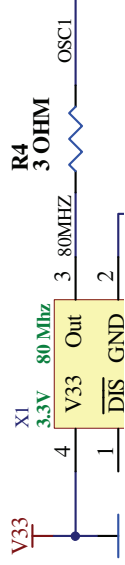


MICRO APPLICATION NOTES:

- A. PIC32MX795F512L-1/PF
- B. IF USB MODULE NOT USED, R1 is MUST BE USED.
- C. STENCIL: 32007-601C
- D. PCB: 32007-201C
- E. SOFTWARE: 32007-561



12VDC