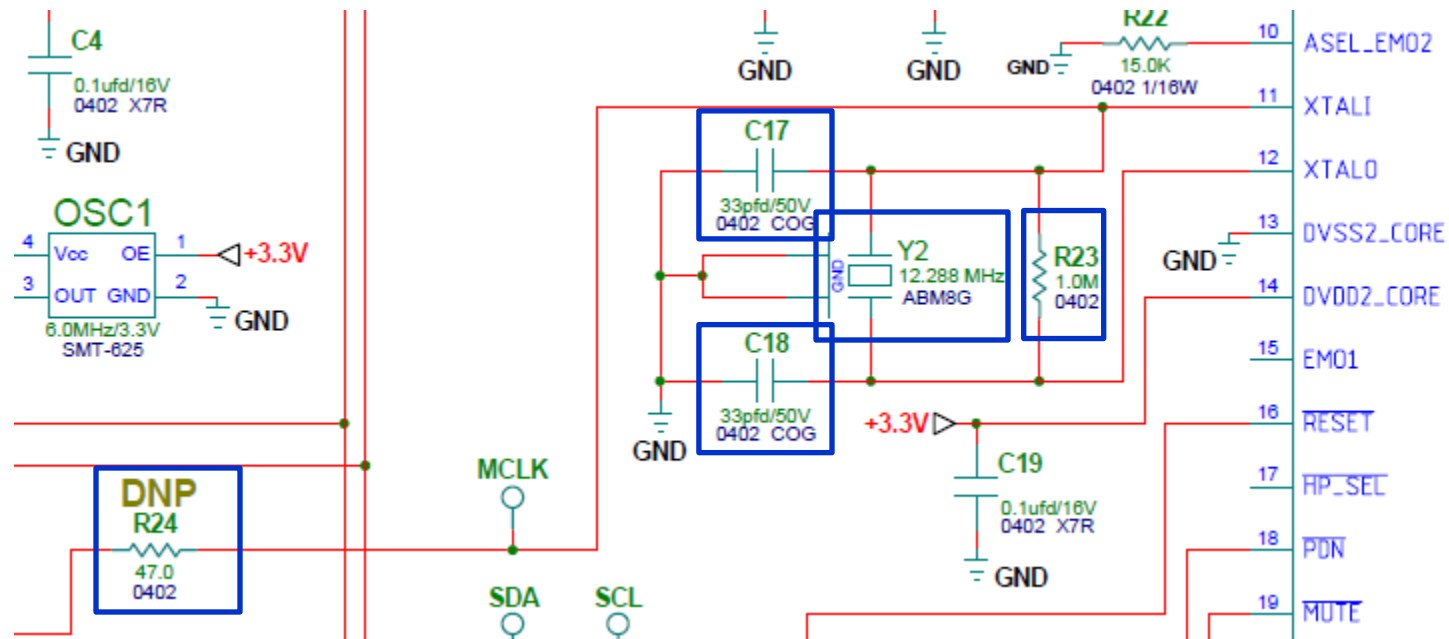


Converting TAS5548EVM to TAS5558

Tuan Luu

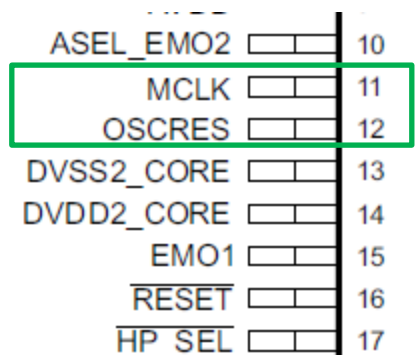
September, 2014

TAS5548EVM – Modifications



1. Remove C17, C18, Y2 and R23
 2. Replace C18 with 18.2kOhm resistor
 3. Assemble R24 with ~50 Ohm resistor
- Note: See blue boxes above

TAS5558 – Operation



TAS5558

Modifications from the first page in effect accomplish the following:

1. Connecting MCLK to the device. TAS5558 has internal oscillator and uses MCLK for clock source.
2. Connecting oscillator resistor.

Note: See green box above. We are making revisions to the TAS5558 data sheet and the TAS5548EVM Users' Guide reflecting the changes documented herein.