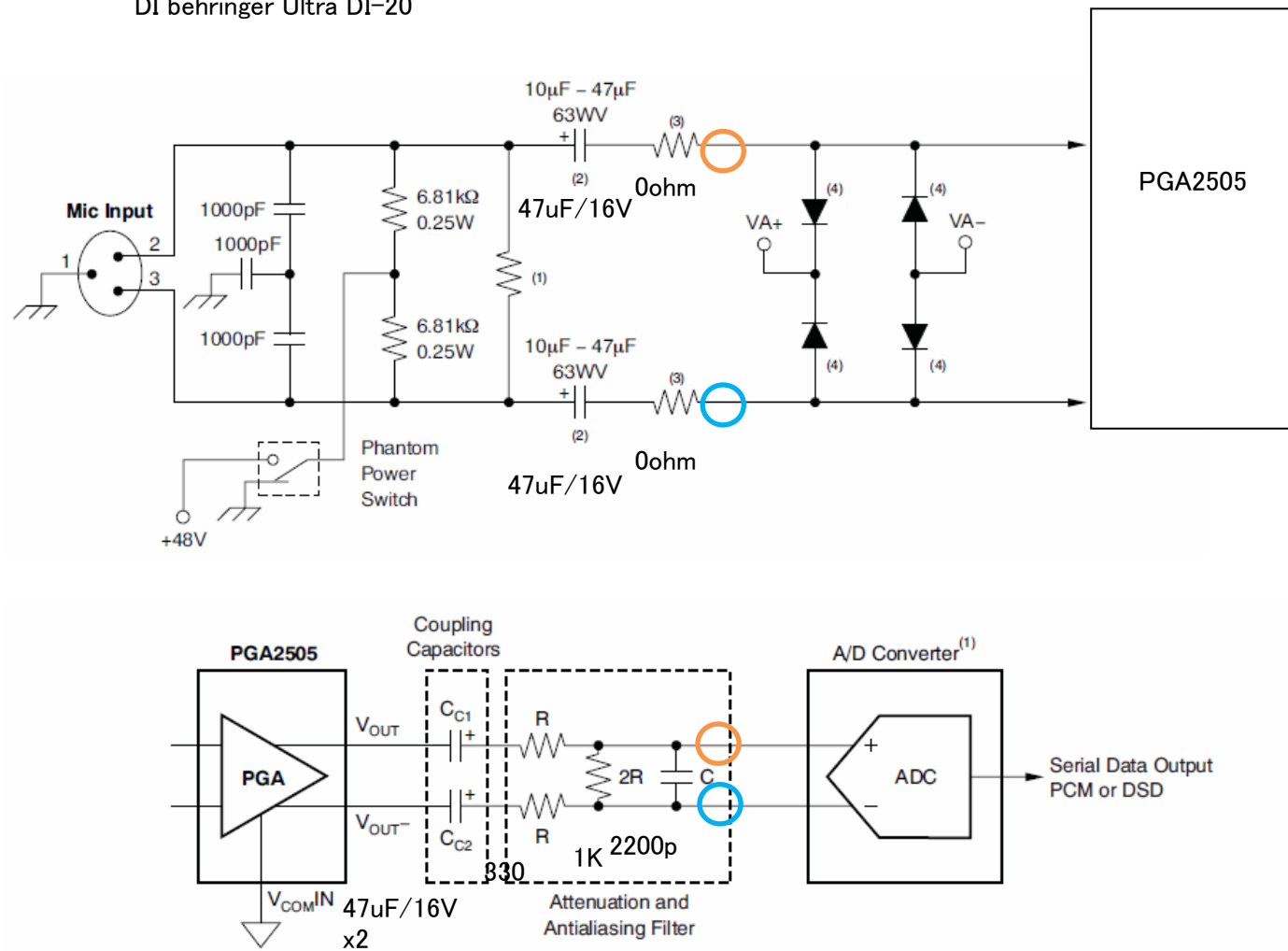


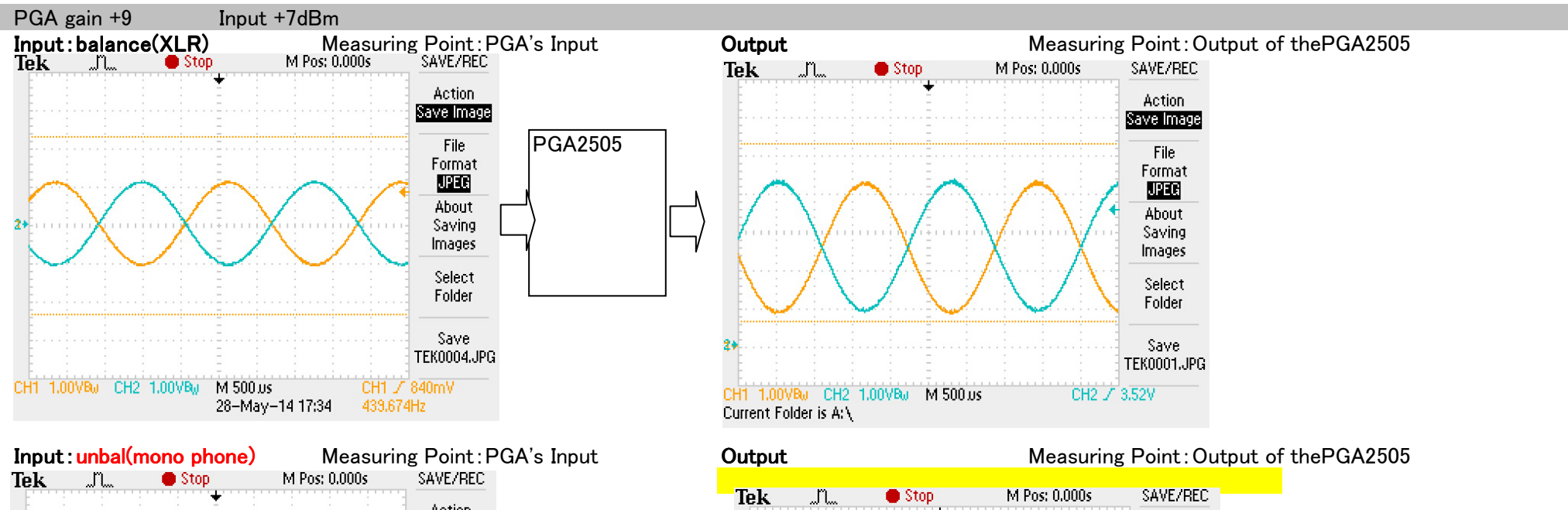
Audio Analyzer(Panasonic)
 600 Ω Cable
 DI behringer Ultra DI-20

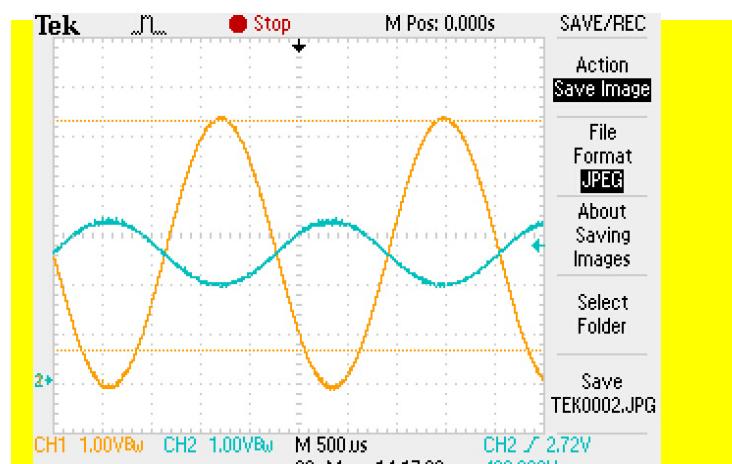
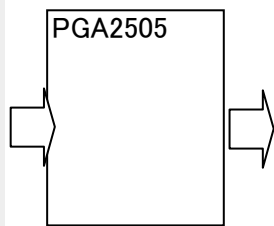
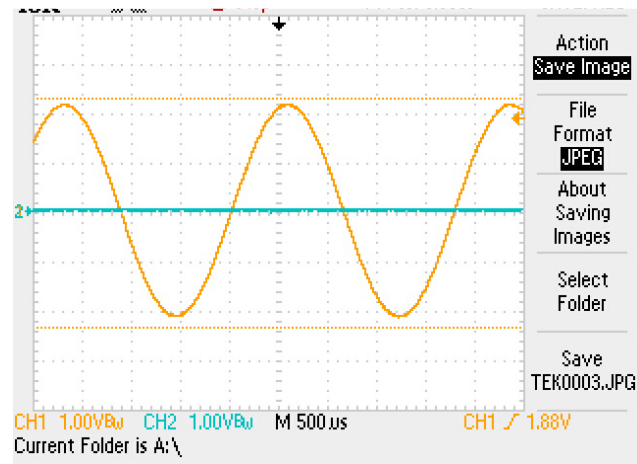


(1) Recommended devices are the [PCM1804](#), [PCM4202](#), [PCM4204](#), [PCM4220](#), or [PCM4222](#).

Figure 15. PGA2505 Analog Output to ADC Analog Input Interface, AC-Coupled

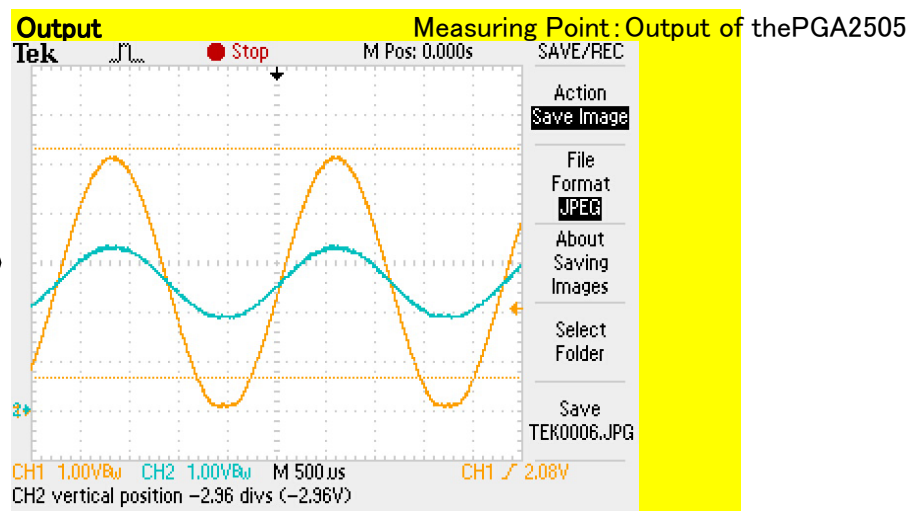
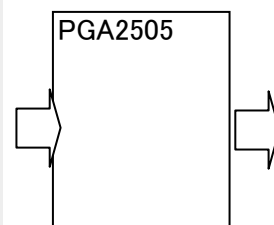
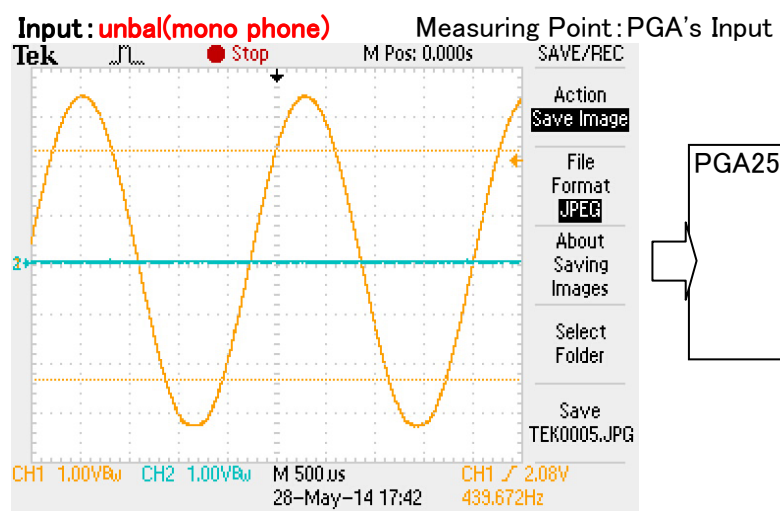
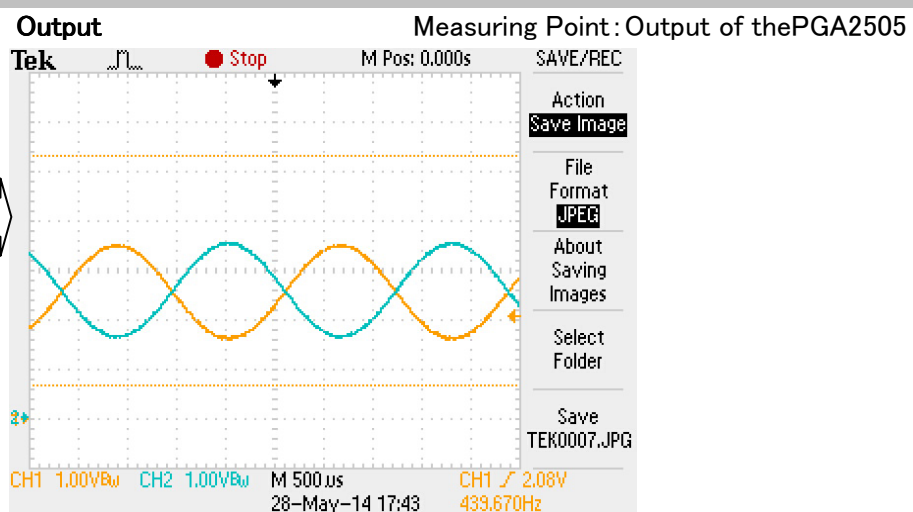
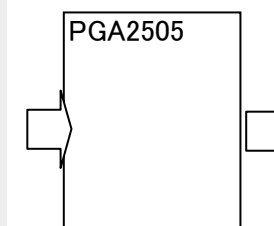
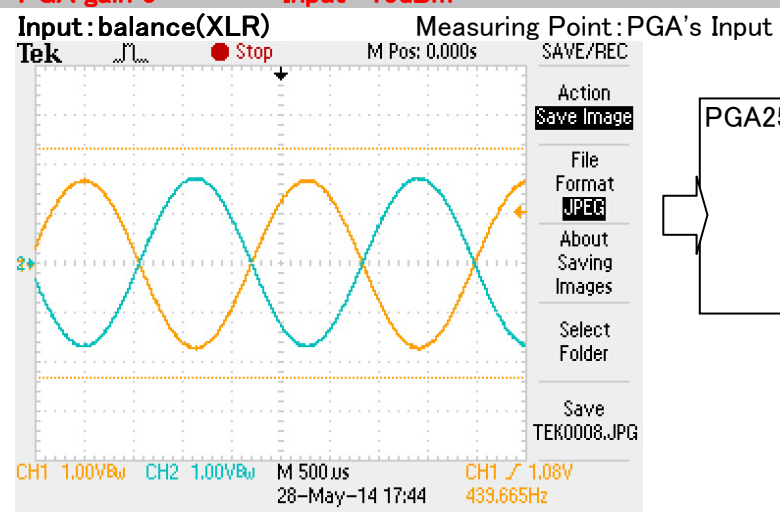
Result





HOT/COLD is Out of Phase in case Gain is 9dB & Input is 7dBm

PGA gain 0 Input +10dBm



HOT/COLD is In-Phase. In case ofPGA gain=0dB, Input=+10dBm