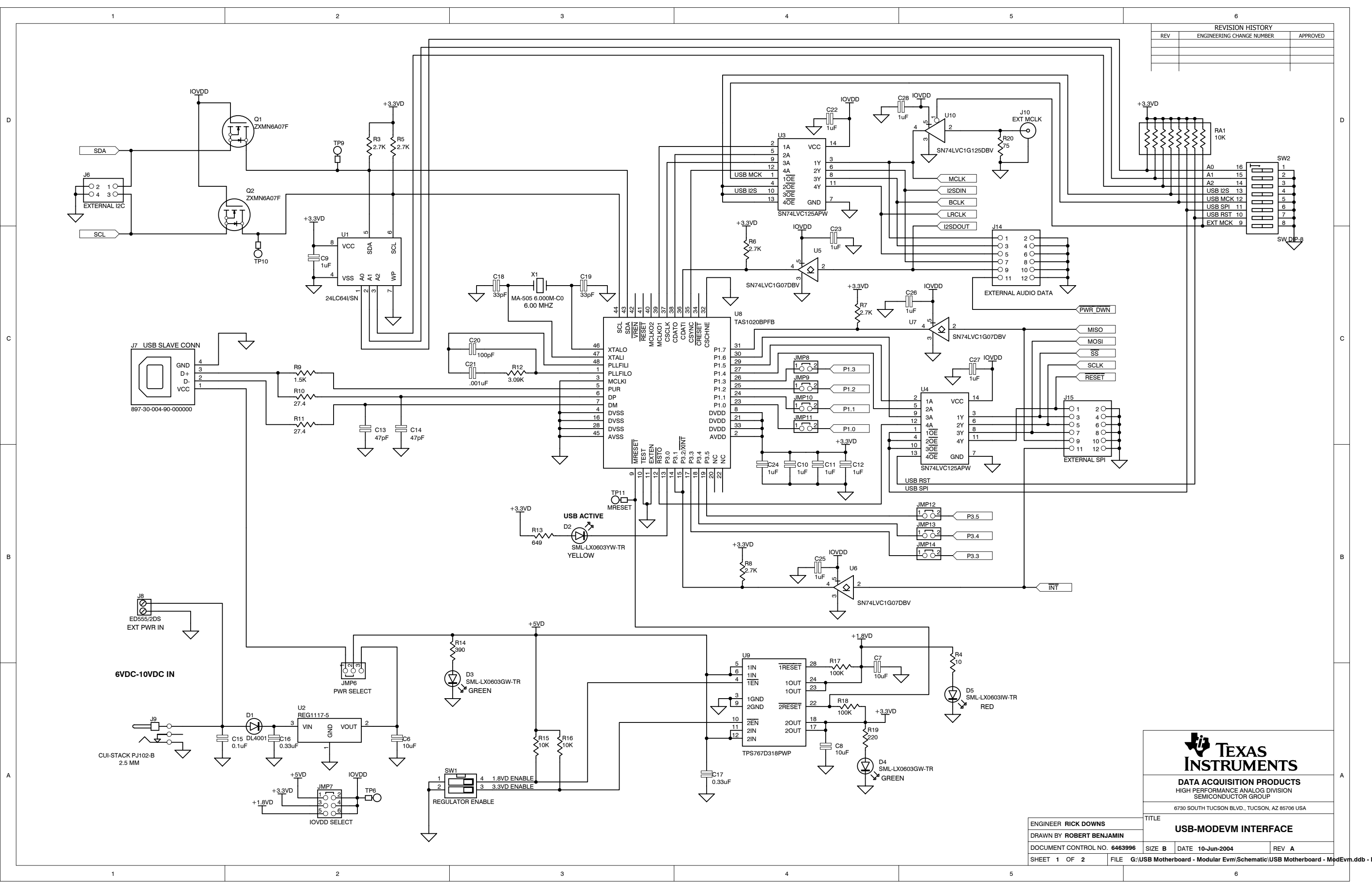


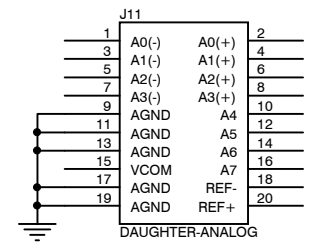
REVISION HISTORY		
REV	ENGINEERING CHANGE NUMBER	APPROVED



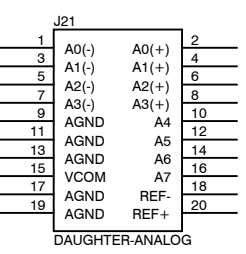
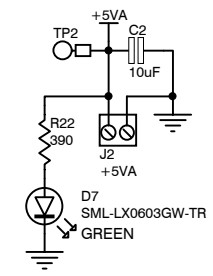
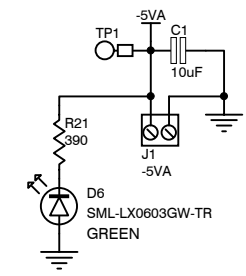
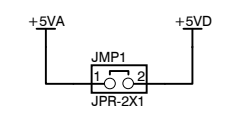
TEXAS INSTRUMENTS
 DATA ACQUISITION PRODUCTS
 HIGH PERFORMANCE ANALOG DIVISION
 SEMICONDUCTOR GROUP
 6730 SOUTH TUCSON BLVD., TUCSON, AZ 85706 USA

ENGINEER RICK DOWNS	TITLE		
DRAWN BY ROBERT BENJAMIN	USB-MODEVM INTERFACE		
DOCUMENT CONTROL NO. 6463996	SIZE B	DATE 10-Jun-2004	REV A
SHEET 1 OF 2	FILE G:\USB Motherboard - Modular Evm\Schematic\USB Motherboard - ModEvm.ddb - Docu		

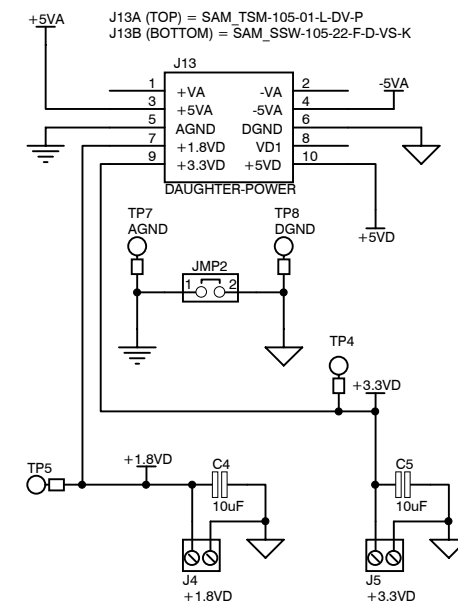
REVISION HISTORY		
REV	ENGINEERING CHANGE NUMBER	APPROVED



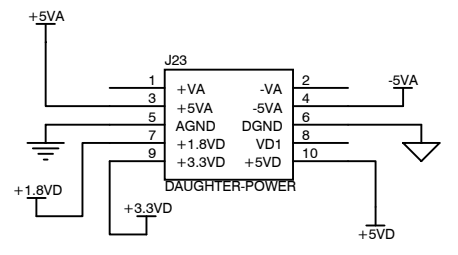
J11A (TOP) = SAM_TSM-110-01-L-DV-P
 J11B (BOTTOM) = SAM_SSW-110-22-F-D-VS-K



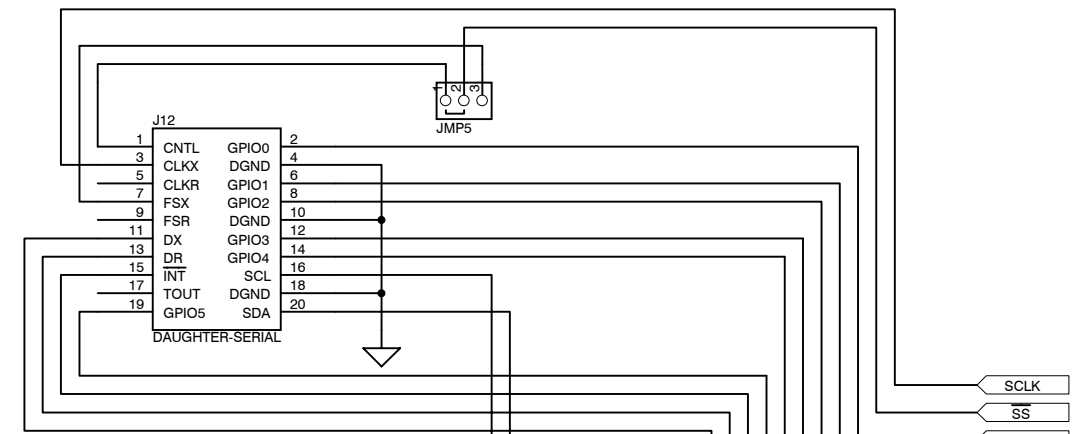
J21A (TOP) = SAM_TSM-110-01-L-DV-P
 J21B (BOTTOM) = SAM_SSW-110-22-F-D-VS-K



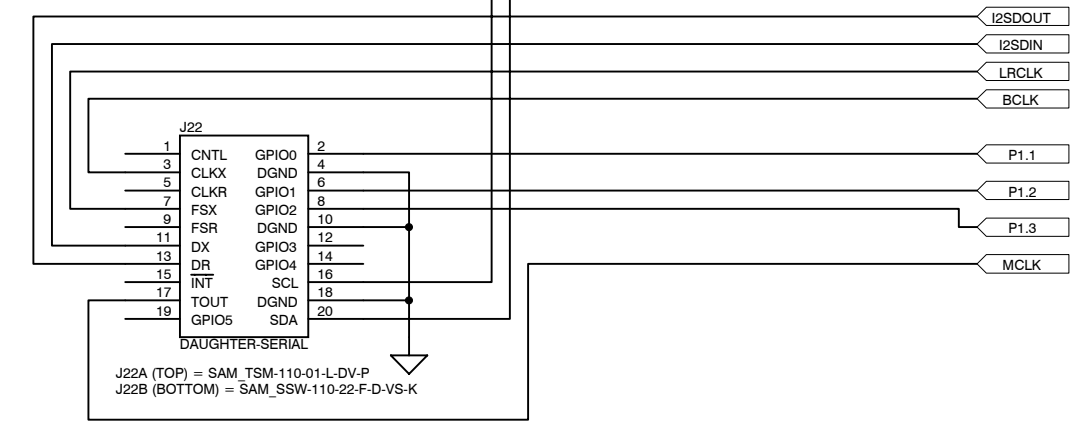
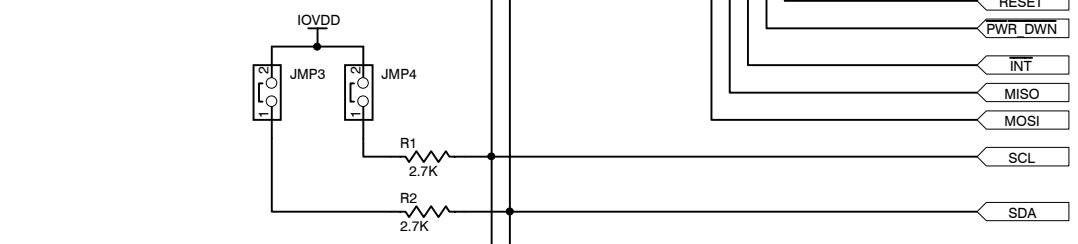
J13A (TOP) = SAM_TSM-105-01-L-DV-P
 J13B (BOTTOM) = SAM_SSW-105-22-F-D-VS-K



J23A (TOP) = SAM_TSM-105-01-L-DV-P
 J23B (BOTTOM) = SAM_SSW-105-22-F-D-VS-K



J12A (TOP) = SAM_TSM-110-01-L-DV-P
 J12B (BOTTOM) = SAM_SSW-110-22-F-D-VS-K



J22A (TOP) = SAM_TSM-110-01-L-DV-P
 J22B (BOTTOM) = SAM_SSW-110-22-F-D-VS-K

- SCLK
- SS
- P3.3
- P3.4
- P3.5
- P1.0
- RESET
- PWR_DWN
- INT
- MISO
- MOSI
- SCL
- SDA
- I2SDOUT
- I2SDIN
- LRCLK
- BCLK
- P1.1
- P1.2
- P1.3
- MCLK



DATA ACQUISITION PRODUCTS
 HIGH-PERFORMANCE ANALOG DIVISION
 SEMICONDUCTOR GROUP

6730 SOUTH TUCSON BLVD., TUCSON, AZ 85706 USA

ENGINEER	RICK DOWNS	TITLE	USB-MODEVM INTERFACE	
DRAWN BY	ROBERT BENJAMIN	DOCUMENT CONTROL NO.	6463996	SIZE B
DATE	10-Jun-2004	REV	A	
SHEET	2 OF 2	FILE	G:\USB Motherboard - Modular Evm\Schematic\USB Motherboard - ModEvm.ddb - Docu	