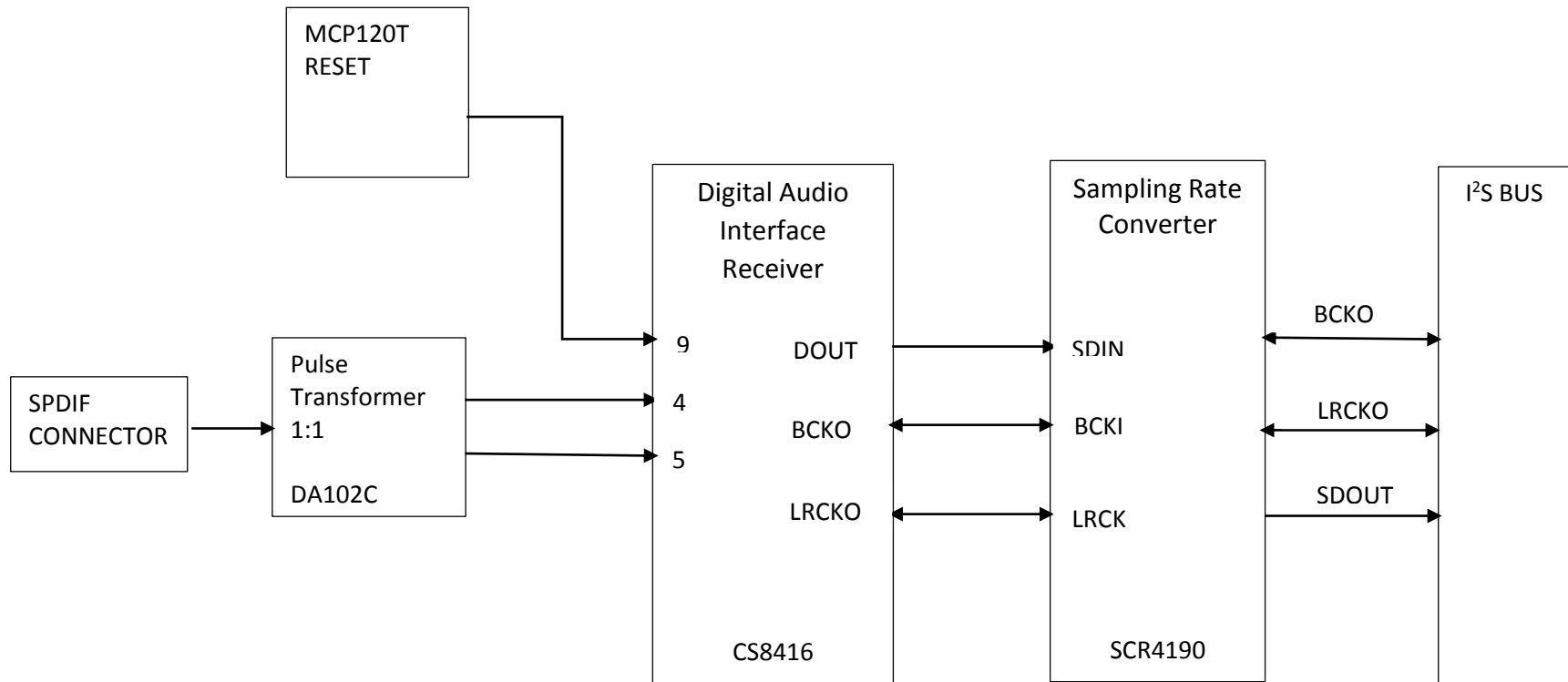


# ARCHITECTURE FOR 192 KHz, 24Bits, S/PDIF TO I2S CONVERTER



## **TOBU 2 SOCKET**

It is used to connect the S/PDIF input for digital audio

## **TRANSFORMER**

This is used for isolation to avoid ground loop problem

## **BUS TRANSCEIVER**

It serves as a Voltage level converter. Used to convert the input voltage from the transformer to TTL since Pin RXIN20 of the Digital Audio Interface chip (DIR9001) accepts only level voltages of 3.3 V or 5 V.

## **DIGITAL AUDIO INTERFACE**

It accepts the output of the transceiver and converts it to I<sup>2</sup>S format. It has maximum sample rate of 96 KHz

## **SAMPLING RATE CONVERTER**

It is used to convert the sample rate from 96 KHz to 192 KHz to match up with the Sampling frequency of the input ADC converter.

## **I<sup>2</sup>S BUS**

Allows for connection of this module to the Digital Signal Processor.