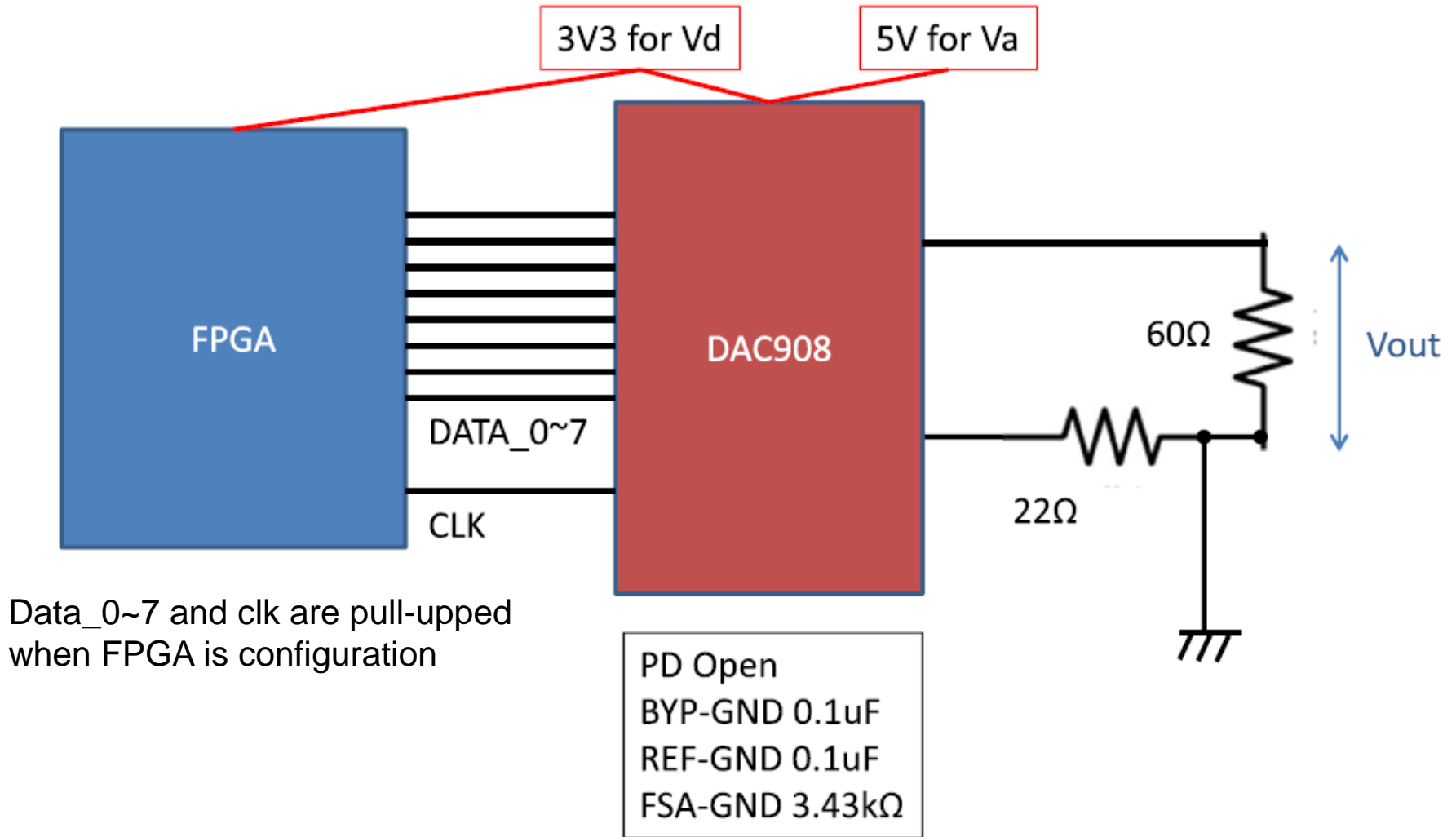
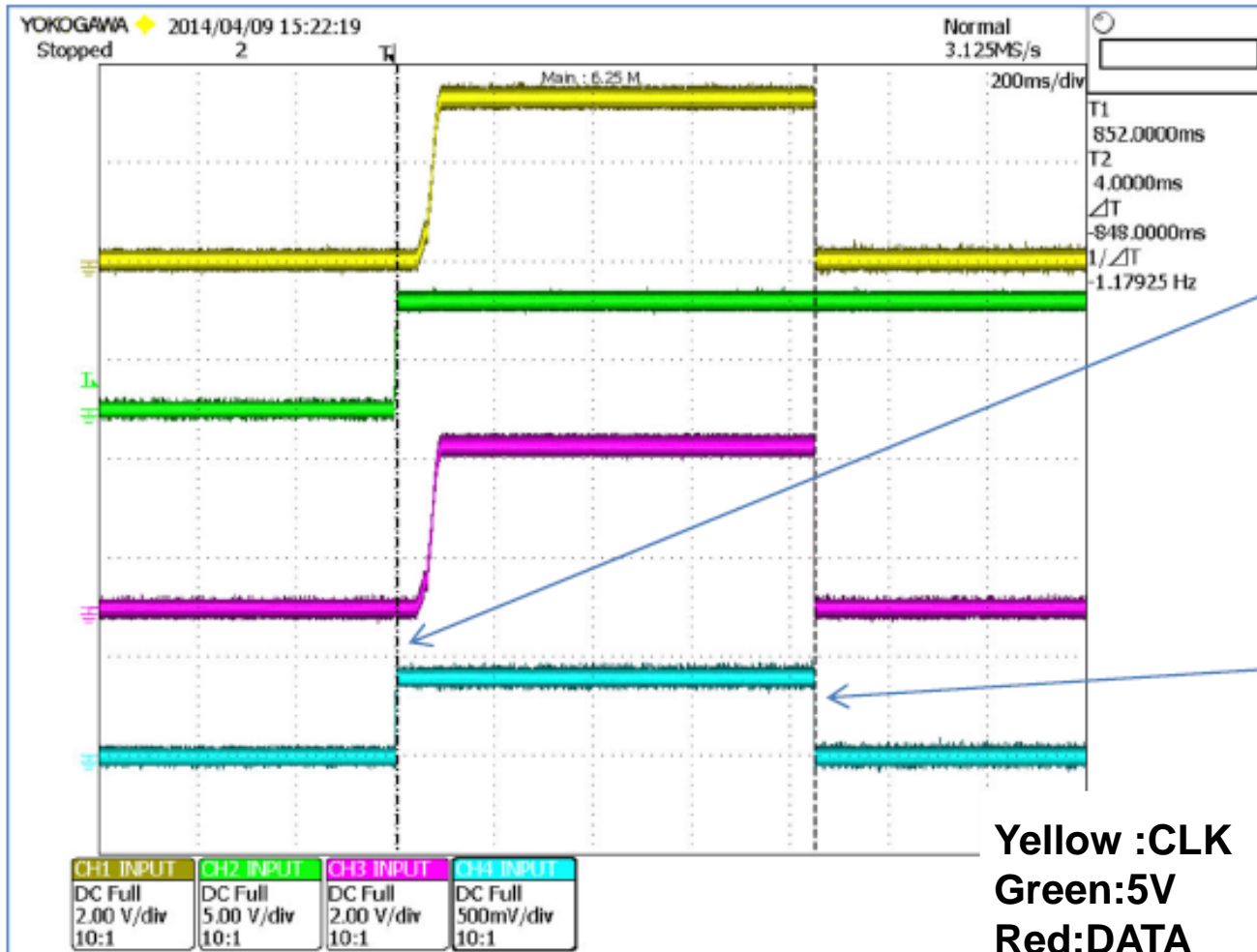


Basic block



Start up waveform



Yellow :CLK
Green:5V
Red:DATA
Blue:Vout

Power on

When 5V power is up,
DAC Iout is about 7mA.

While FPGA is
configuration,
Input data and clk are
pull up.

When the
configuration is
finished
Iout becomes 0A.

Question

- Why this unexpected output is happened?
- What is the measure for the output 0A at start up.