

DM814x/AM387x REVD BASE BOARD

TABLE OF CONTENTS


| SL NO. | CONTENTS | PAGE NO | SL NO. | CONTENTS | PAGE NO |
|--------|-------------------------|---------|--------|------------------------------------|---------|
| 1 | TABLE OF CONTENTS | 1 | 26 | SPI FLASH & I2C EXPANDER | 26 |
| 2 | VERSION HISTORY | 2 | 27 | DM814x_HDMI-SATA-USB0-USB1 | 27 |
| 3 | BLOCK DIAGRAM | 3 | 28 | USB INTERFACE | 28 |
| 4 | MEMORY MAP | 4 | 29 | DM814x_PCIe-JTAG-S-VIDEO-COMPOSITE | 29 |
| 5 | DM814x_McASP | 5 | 30 | PCIe CONNECTOR | 30 |
| 6 | AIC3106 | 6 | 31 | SERDES CLOCKS | 31 |
| 7 | McASP B-B CONN | 7 | 32 | DM814x_CLOCKS | 32 |
| 8 | DM814x_RGMII | 8 | 33 | POWER MONITOR CPU | 33 |
| 9 | ETHERNET CONTROLLER- 0 | 9 | 34 | POWER MONITORS-1 | 34 |
| 10 | ETHERNET CONN- 0 | 10 | 35 | POWER MONITORS-2 | 35 |
| 11 | ETHERNET CONTROLLER- 1 | 11 | 36 | DM814x_POWER | 36 |
| 12 | ETHERNET CONN- 1 | 12 | 37 | DM814x_VDD | 37 |
| 13 | DM814x_GPMC | 13 | 38 | DM814x_VSS | 38 |
| 14 | NAND FLASH | 14 | 39 | TPS659113- A | 39 |
| 15 | GPMC B-B- CONN | 15 | 40 | TPS659113- B | 40 |
| 16 | DM814x_MMCO_1_2 | 16 | 41 | TPS51116 | 41 |
| 17 | DM814x_DDR0 | 17 | 42 | TPS65232 | 42 |
| 18 | DDR0 | 18 | 43 | POWER SELECTION | 43 |
| 19 | DM814x_DDR1 | 19 | 44 | POWER IN | 44 |
| 20 | DDR1 | 20 | | | |
| 21 | DDR- TERMINATIONS | 21 | | | |
| 22 | DM814x_VIN-VOUT0-VOUT1 | 22 | | | |
| 23 | VIDEO B-B CONN | 23 | | | |
| 24 | DM814x_SERIALINTERFACES | 24 | | | |
| 25 | DM814x_RESERVED_PIN | 25 | | | |

| | |
|---------|------|
| REV | D |
| VERSION | 0.06 |

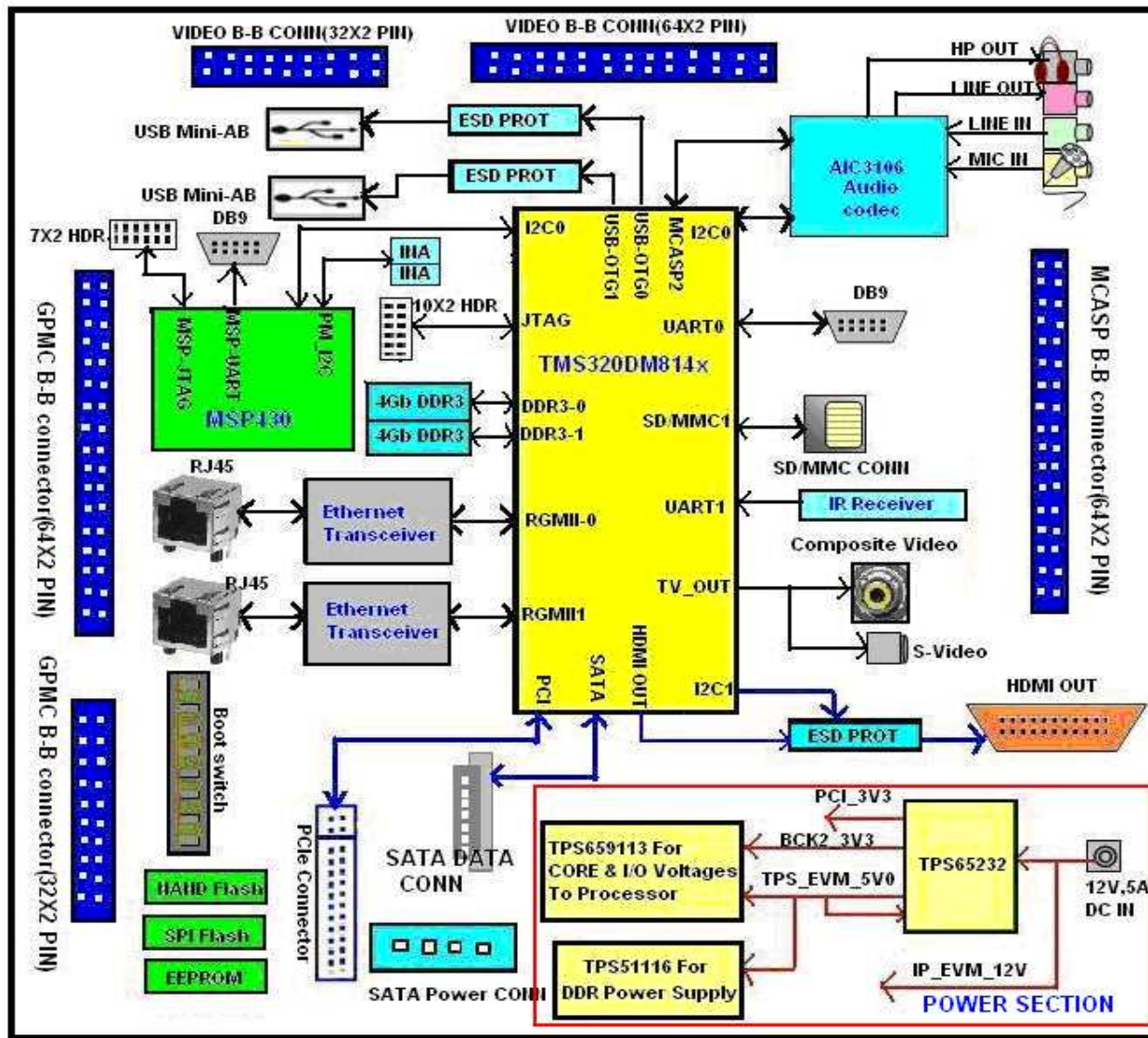
| REV NO. | NATURE OF CHANGE | APPROVED BY | DATE | Mistral Solutions [P] Ltd. #60 Adarsh regent,100 Feet Ring Road, Domlur Extension Bangalore 560 071, Ph : +91-80-30912600, Fax :+91-80-2535 6444 | Title |
|---------|------------------|-------------|------|--|---|
| | | | | Drawn by: Mistral Design Team Date: Monday, May 31, 2010 Approved by: Mistral Approval Team Date: Wednesday, November 02, 2011 Design file path: | TABLE OF CONTENTS |
| | | | | | Size: B Document Number: MS_TI_DM814x_BB_REVD_SCH Date: Wednesday, November 02, 2011 Sheet 1 of 44 |

VERSION HISTORY

| VERSION | DATE | DESCRIPTION OF CHANGES | AUTHOR | REVIEWED BY | APPROVED BY |
|---------|---------------|---|---------------------|---------------------|-----------------------|
| 0.01 | 22nd Sep 2011 | As per version 0.01 of MS_TI_CEN_DM814X_BB_REVD_CHNG_LIST.xls | Mistral Design Team | Mistral Review Team | Mistral Approval Team |
| 0.02 | 11th Oct 2011 | As per version 0.02 of MS_TI_CEN_DM814X_BB_REVD_CHNG_LIST.xls | Mistral Design Team | Mistral Review Team | Mistral Approval Team |
| 0.03 | 19th Oct 2011 | As per version 0.03 of MS_TI_CEN_DM814X_BB_REVD_CHNG_LIST.xls | Mistral Design Team | Mistral Review Team | Mistral Approval Team |
| 0.04 | 20th Oct 2011 | As per version 0.04 of MS_TI_CEN_DM814X_BB_REVD_CHNG_LIST.xls | Mistral Design Team | Mistral Review Team | Mistral Approval Team |
| 0.05 | 21st Oct 2011 | As per version 0.05 of MS_TI_CEN_DM814X_BB_REVD_CHNG_LIST.xls | Mistral Design Team | Mistral Review Team | Mistral Approval Team |
| 0.06 | 27th Oct 2011 | As per version 0.06 of MS_TI_CEN_DM814X_BB_REVD_CHNG_LIST.xls | Mistral Design Team | Mistral Review Team | Mistral Approval Team |

| | | | | | | | | |
|---------|------------------|-------------|------|--|--|------------------------------|--------------------------|---|
| REV NO. | NATURE OF CHANGE | APPROVED BY | DATE |  Mistral Solutions [P] Ltd. #60 Adarsh regent, 100 Feet Ring Road, Domlur Extension Bangalore 560 071, Ph : +91-80-30912600, Fax : +91-80-2535 6444 | Title | VERSION HISTORY | | |
| | | | | | Size | Document Number | Rev | |
| | | | | Drawn by: Mistral Design Team Date: Monday, May 31, 2010 | Approved by: Mistral Approval Team Date: Wednesday, November 02, 2011 | B | MS_TI_DM814x_BB_REVD_SCH | D |
| | | | | Design file path: | Date: | Wednesday, November 02, 2011 | Sheet 2 of 44 | |

BLOCK DIAGRAM- DM814x/AM387x REVD BASE BOARD



| REV NO. | NATURE OF CHANGE | APPROVED BY | DATE |
|---------|------------------|-------------|------|
| | | | |
| | | | |
| | | | |

Mistral Solutions [P] Ltd.
 #60 Adarsh regent, 100 Feet Ring Road, Domlur Extension
 Bangalore 560 071, Ph : +91-80-30912600, Fax : +91-80-2535 6444

Drawn by: Mistral Design Team
 Date: Monday, May 31, 2010

Approved by: Mistral Approval Team
 Date: Wednesday, November 02, 2011

Design file path:


| Title | Document Number | Rev |
|------------------------------------|--------------------------|-----|
| BLOCK DIAGRAM | MS_TI_DM814x_BB_REVD_SCH | D |
| Date: Wednesday, November 02, 2011 | Sheet 3 of 44 | |

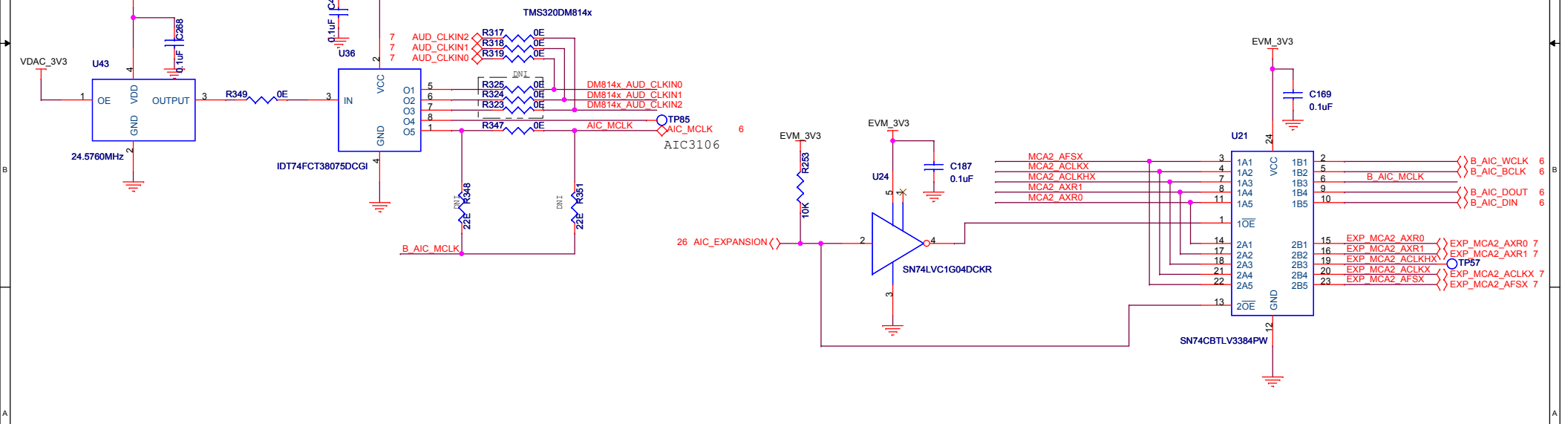
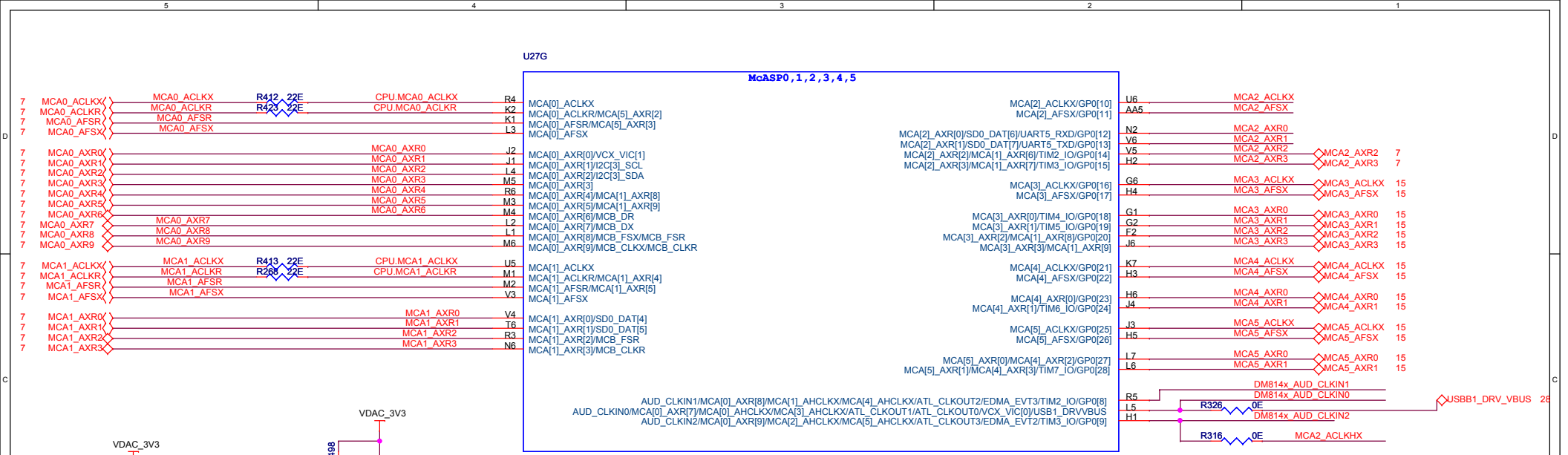
MEMORY MAP TO BE UPDATED

| | |
|---------------------------|------------|
| ETHERNET-GPMC | |
| NAND-GPMC | |
| DDR3-0 | 0x80000000 |
| DDR3-1 | 0xC0000000 |
| SPI FLASH | |
| I2C DEVICES | |
| I2C0- EEPROM | 0x50 |
| MSP430 | 0X25 |
| I2C0- PCF8575 | 0x20 |
| I2C0-TPS659113 | 0x2D |
| I2C0- TPS62353 | 0x48 |
| I2C0- AIC3106 | 0x18 |
| I2C POWER MONITORS | |
| PLL_1V8 | 1000000 |
| HDMI_1V8 | 1000001 |
| CVDD_ARM | 1000010 |
| VDDQ_DM814x_1V5 | 1000011 |
| HDVICP | 1000100 |
| VDDA_1V8 | 1000101 |
| DVDD_GPMC | 1000110 |
| DVDD | 1000111 |
| CORE_VDD | 1001000 |
| CVDD_DSP | 1001001 |
| DVDD_C | 1001010 |
| VMMC | 1001011 |

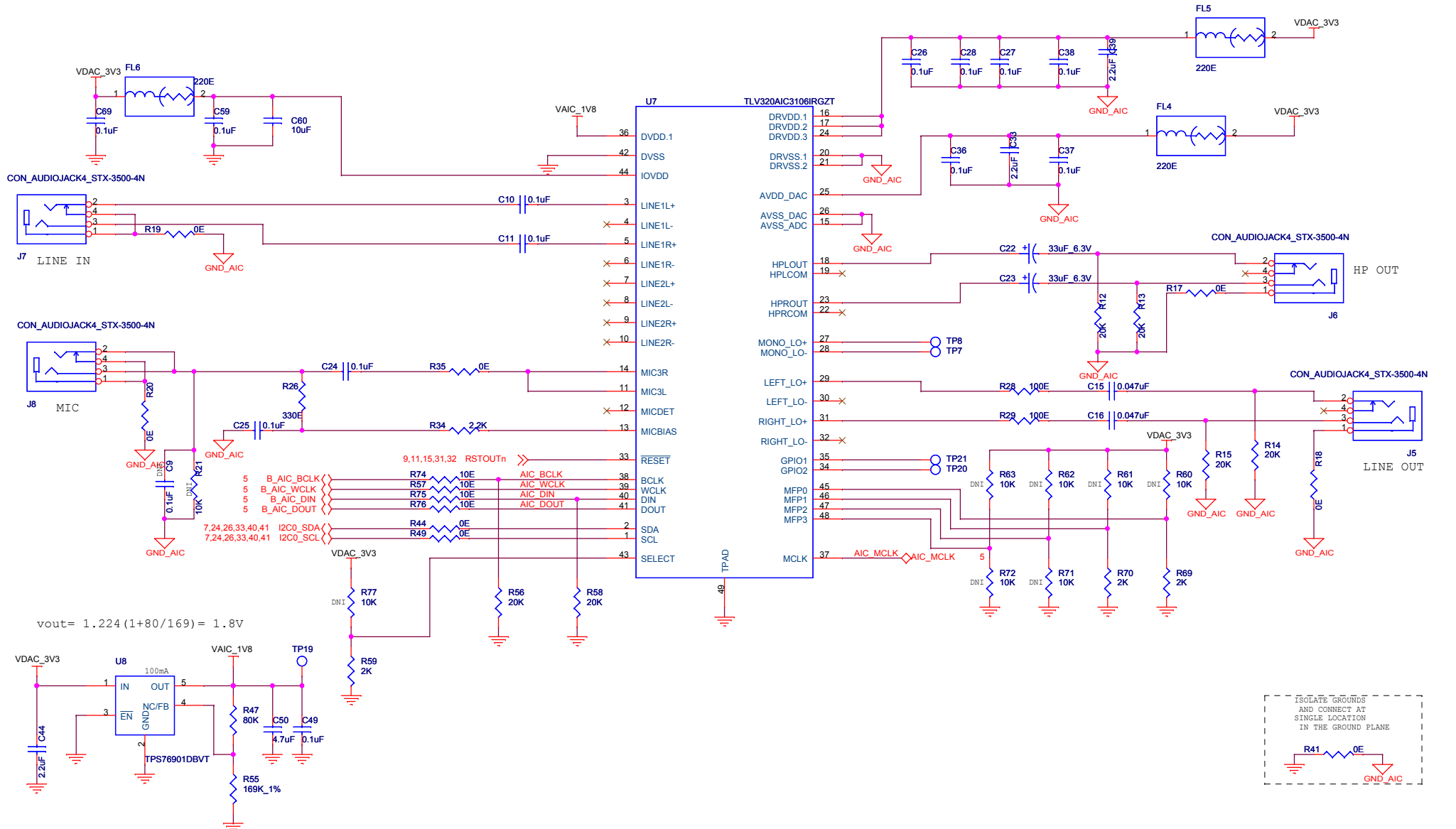
GPIO ASSIGNMENT

| GPIO NAME | SOURCE | PURPOSE |
|------------------|--------------------|-------------------------|
| AIC_EXPANSION | PCF8575 DEVICE | McASP |
| ENET_INTn | GP1[10] | ETHERNET |
| PCF8575_INT | GP1[8] | INTERRUPT |
| EN_1V8_LDO | TPS659113-- GPIO 8 | ENABLING 1V8 SUPPLY |
| EN_BCK2_LS | TPS659113-- GPIO 7 | ENABLING LOAD SWITCH |
| EN_TPS62353 | TPS659113-- GPIO 6 | ENABLING CVDD_HDVICP |
| EN_BCK3_TPS65232 | TPS659113-- GPIO 2 | ENABLING PCI_3V3 |
| EN_TPS51116 | TPS659113-- GPIO 0 | ENABLING DDR SUPPLY |
| MSP430_INT | PCF8575 DEVICE | INTERRUPT FOR MSP430 |
| TPS_INT1 | TPS659113-- INT 1 | INTERRUPT FOR DM814x |
| TPS_SLEEP | PCF8575 DEVICE | SLEEP FOR TPS659113 |
| PCI_SW_RESEtN | PCF8575 DEVICE | PCI RESET |
| IR_REMOTE_OFF | PCF8575 DEVICE | IR SENSOR CONTROLLING |
| UART0_OFF | PCF8575 DEVICE | UART-0 CONTROLLING |
| SW_VOUT_EN | TDA04H0SK1 DEVICE | VIDEO SW ENABLE |
| GPMC_nWP | TDA04H0SK1 DEVICE | GPMC WRITE PROTECT |
| RESET_GPIO | TDA04H0SK1 DEVICE | ENABLING PCI POR BUFFER |

| | | | | | | | | |
|---------|------------------|-------------|------|--|--|------------------------------|--------------------------|---------|
| REV NO. | NATURE OF CHANGE | APPROVED BY | DATE |  Mistral Solutions [P] Ltd. #60 Adarsh regent,100 Feet Ring Road, Domlur Extension Bangalore 560 071, Ph : +91-80-30912600, Fax :+91-80-2535 6444 | Title | MEMORY MAP | | |
| | | | | | Size | Document Number | Rev | |
| | | | | Drawn by: Mistral Design Team Date: Monday, May 31, 2010 | Approved by: Mistral Approval Team Date: Wednesday, November 02, 2011 | B | MS_TI_DM814x_BB_REVD_SCH | D |
| | | | | Design file path: | Date: | Wednesday, November 02, 2011 | Sheet | 4 of 44 |

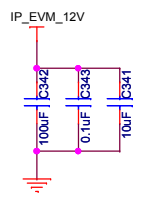
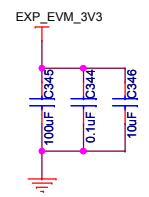
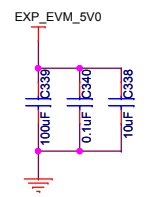
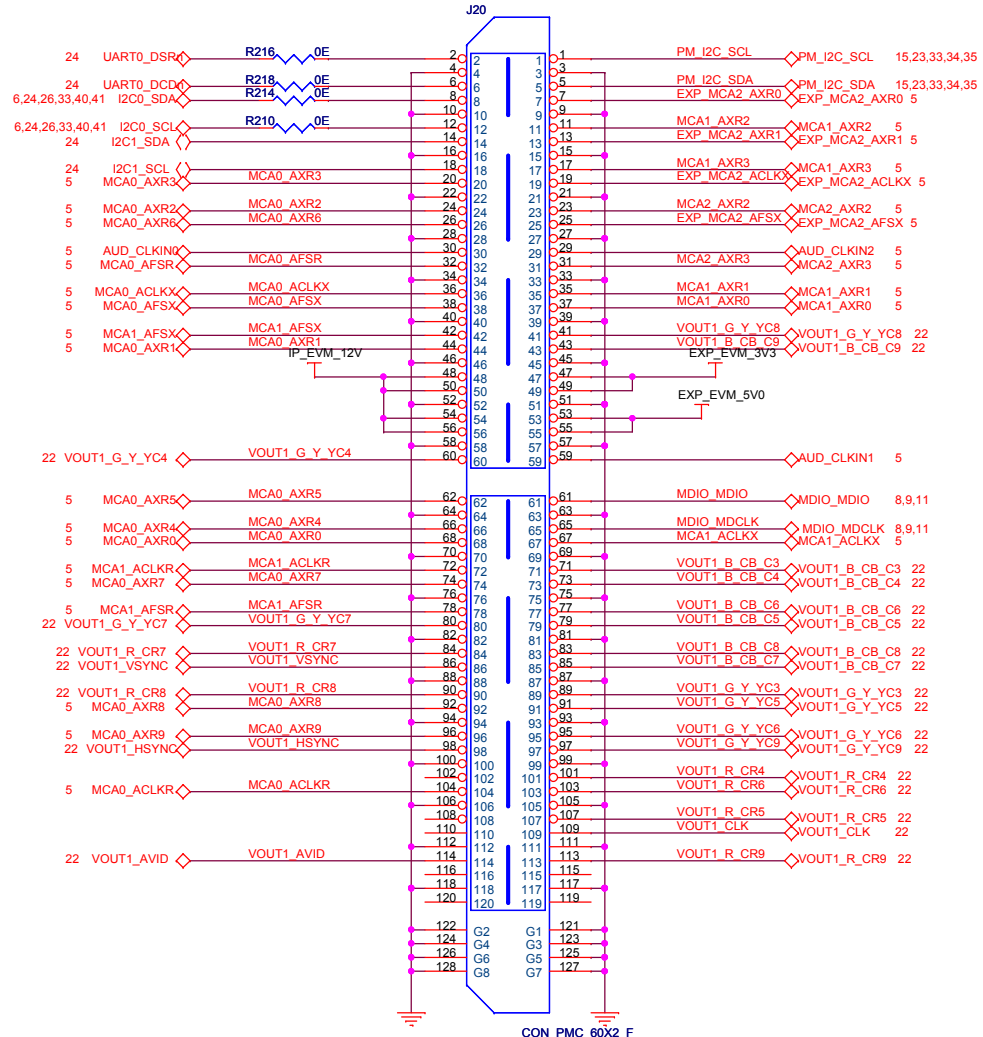


| REV NO. | NATURE OF CHANGE | APPROVED BY | DATE | Mistral Solutions [P] Ltd. | | Title |
|---------|------------------|-------------|------|--|--|---|
| | | | | #60 Adarsh regent, 100 Feet Ring Road, Domlur Extension Bangalore 560 071, Ph : +91-80-30912600, Fax : +91-80-2535 6444 | | DM814x_McASP |
| | | | | Drawn by: Mistral Design Team Date: Monday, May 31, 2010 | Approved by: Mistral Approval Team Date: Wednesday, November 02, 2011 | Size: B Document Number: MS_TI_DM814x_BB_REV_D_SCH |
| | | | | Design file path: | | Date: Wednesday, November 02, 2011 Sheet 5 of 44 |




$v_{out} = 1.224 (1 + 80/169) = 1.8V$

| REV NO. | NATURE OF CHANGE | APPROVED BY | DATE | Mistral Solutions [P] Ltd. MISTRAL #60 Adarsh regent, 100 Feet Ring Road, Domlur Extension Bangalore 560 071, Ph : +91-80-30912600, Fax : +91-80-2535 6444 | | Title | AIC3106 | |
|---------|------------------|-------------|------|--|------------------------------------|-------|--------------------------|--|
| | | | | Drawn by: Mistral Design Team | Approved by: Mistral Approval Team | Size | Document Number | |
| | | | | Date: Monday, May 31, 2010 | Date: Wednesday, November 02, 2011 | B | MS_TI_DM814x_BB_REVD_SCH | |
| | | | | Design file path: | Date: Wednesday, November 02, 2011 | Sheet | 6 of 44 | |



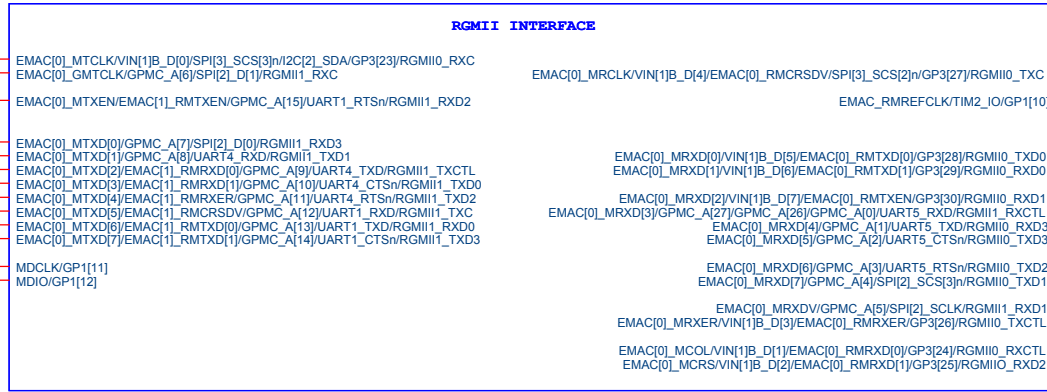
| REV NO. | NATURE OF CHANGE | APPROVED BY | DATE |
|---------|------------------|-------------|------|
| | | | |
| | | | |
| | | | |


Mistral Solutions [P] Ltd.
 #60 Adarsh regent, 100 Feet Ring Road, Domlur Extension
 Bangalore 560 071, Ph : +91-80-30912600, Fax : +91-80-2535 6444

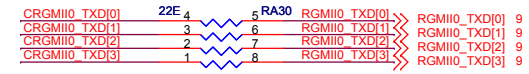
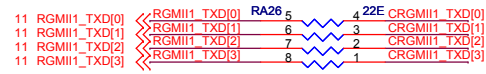
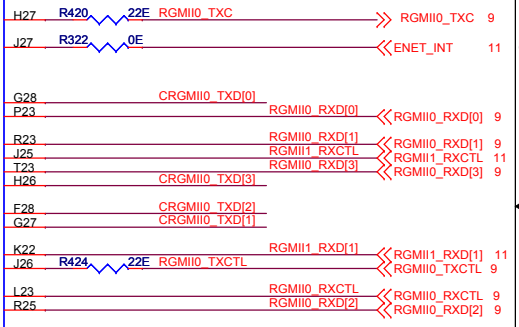
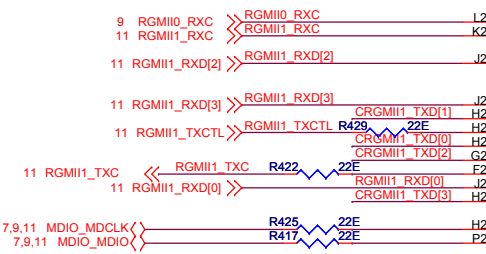
| | | | |
|------------------------------|---------------------------|----------------|------------------------------|
| Title | | McASP B-B CONN | |
| Drawn by: | Mistral Design Team | Approved by: | Mistral Approval Team |
| Date: | Monday, May 31, 2010 | Date: | Wednesday, November 02, 2011 |
| Design file path: | Date: | | Wednesday, November 02, 2011 |
| Size: | Document Number | Sheet | Rev |
| B | MS_TI_DM814x_BB_REV_D_SCH | 7 | D |
| Date: | | Sheet | of |
| Wednesday, November 02, 2011 | | 7 | 44 |

U27C

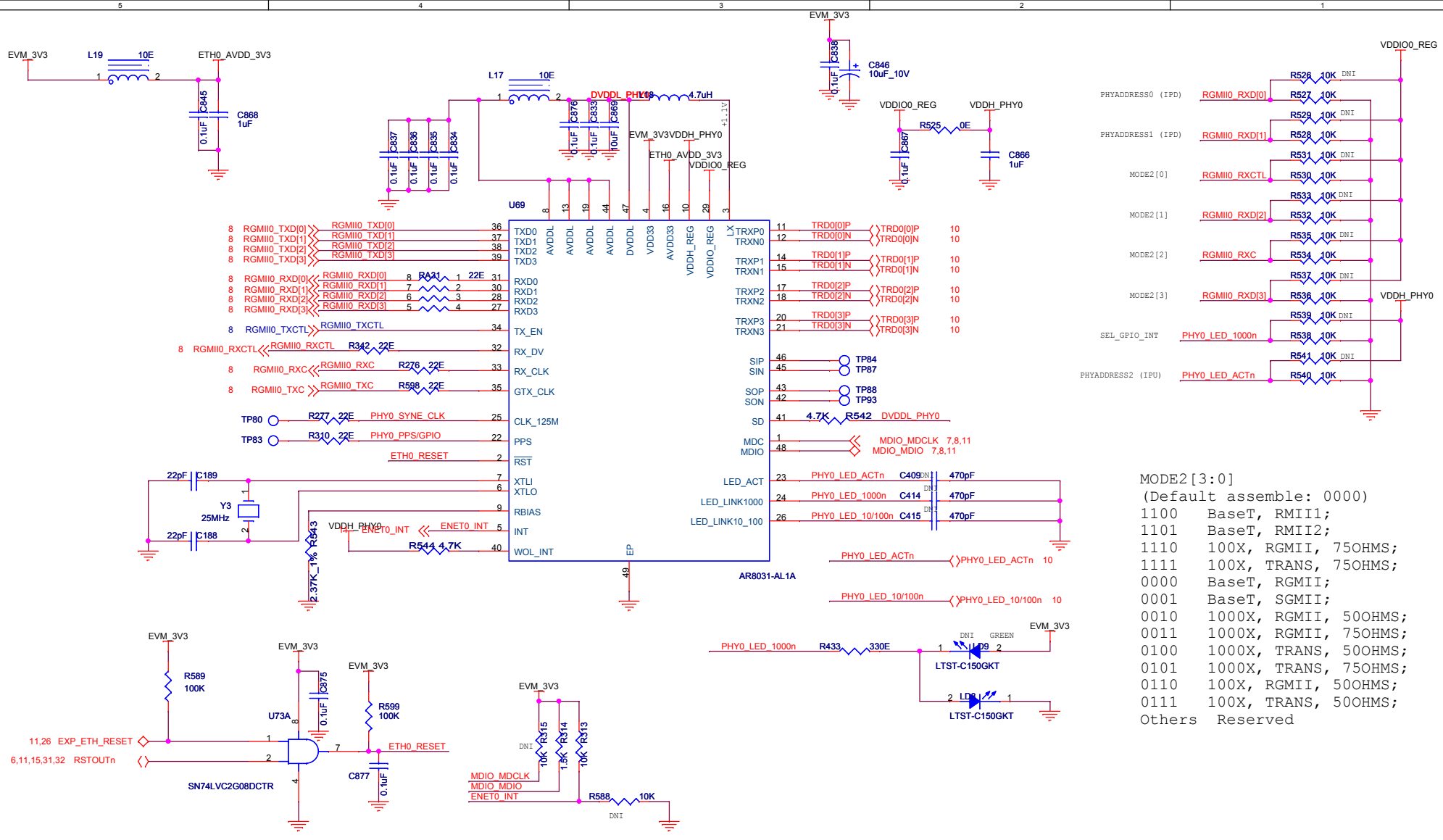
RGMI1 INTERFACE



TMS320DM814x



| REV NO. | NATURE OF CHANGE | APPROVED BY | DATE | Mistral Solutions [P] Ltd. | | Title | DM814x_RGMI1 |
|---------|------------------|-------------|------|--|--|---|---------------|
| | | | | #60 Adarsh regent,100 Feet Ring Road, Domlur Extension Bangalore 560 071, Ph : +91-80-30912600, Fax :+91-80-2535 6444 | | | |
| | | | | Drawn by: Mistral Design Team Date: Monday, May 31, 2010 | Approved by: Mistral Approval Team Date: Wednesday, November 02, 2011 | Size: B Document Number: MS_TI_DM814x_BB_REV_D_SCH | Rev: D |
| | | | | Design file path: | | Date: Wednesday, November 02, 2011 | Sheet 8 of 44 |

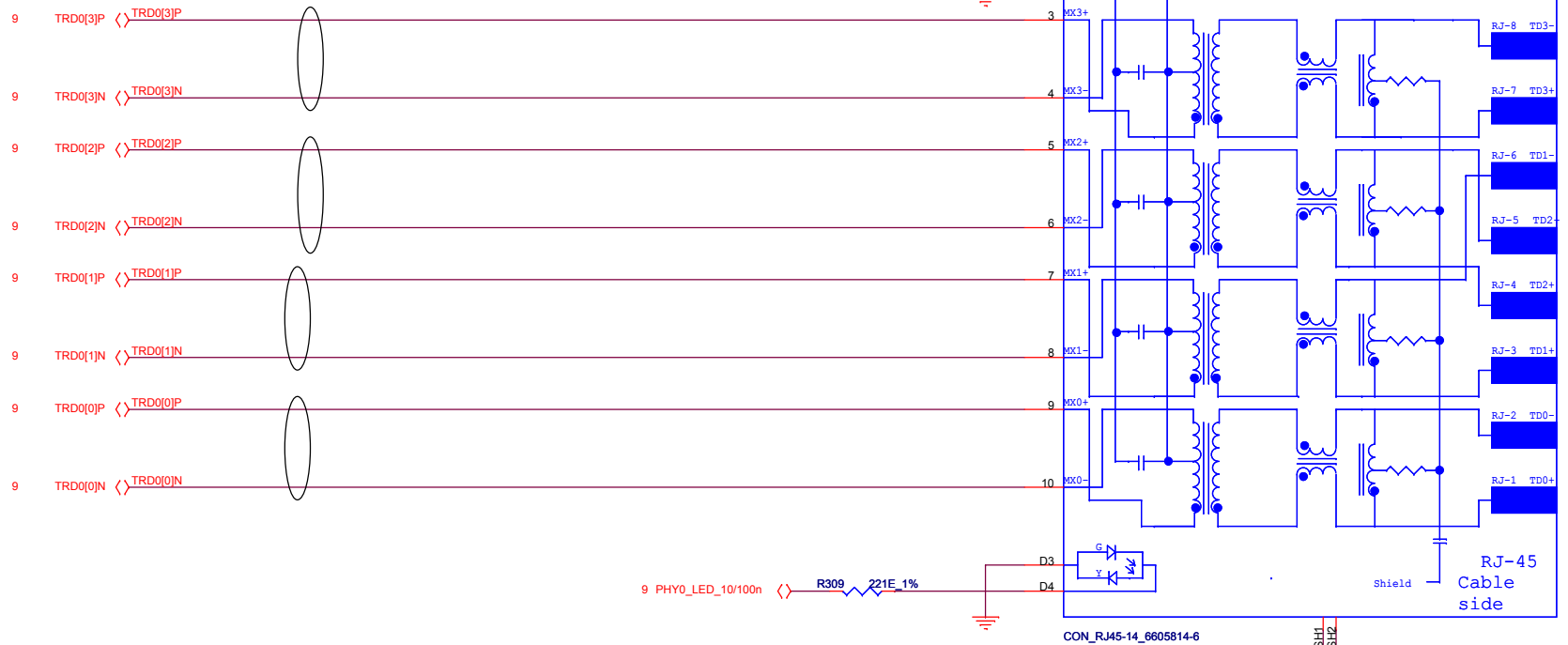


```

MODE2[3:0]
(Default assemble: 0000)
1100 BaseT, RMI1;
1101 BaseT, RMI12;
1110 100X, RGMII, 75OHMS;
1111 100X, TRANS, 75OHMS;
0000 BaseT, RGMII;
0001 BaseT, SGMII;
0010 1000X, RGMII, 50OHMS;
0011 1000X, RGMII, 75OHMS;
0100 1000X, TRANS, 50OHMS;
0101 1000X, TRANS, 75OHMS;
0110 100X, RGMII, 50OHMS;
0111 100X, TRANS, 50OHMS;
Others Reserved

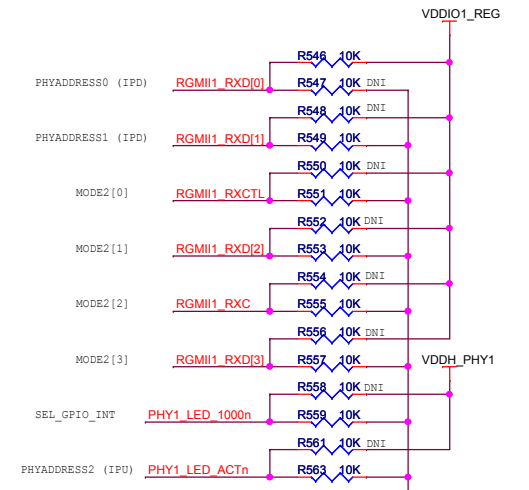
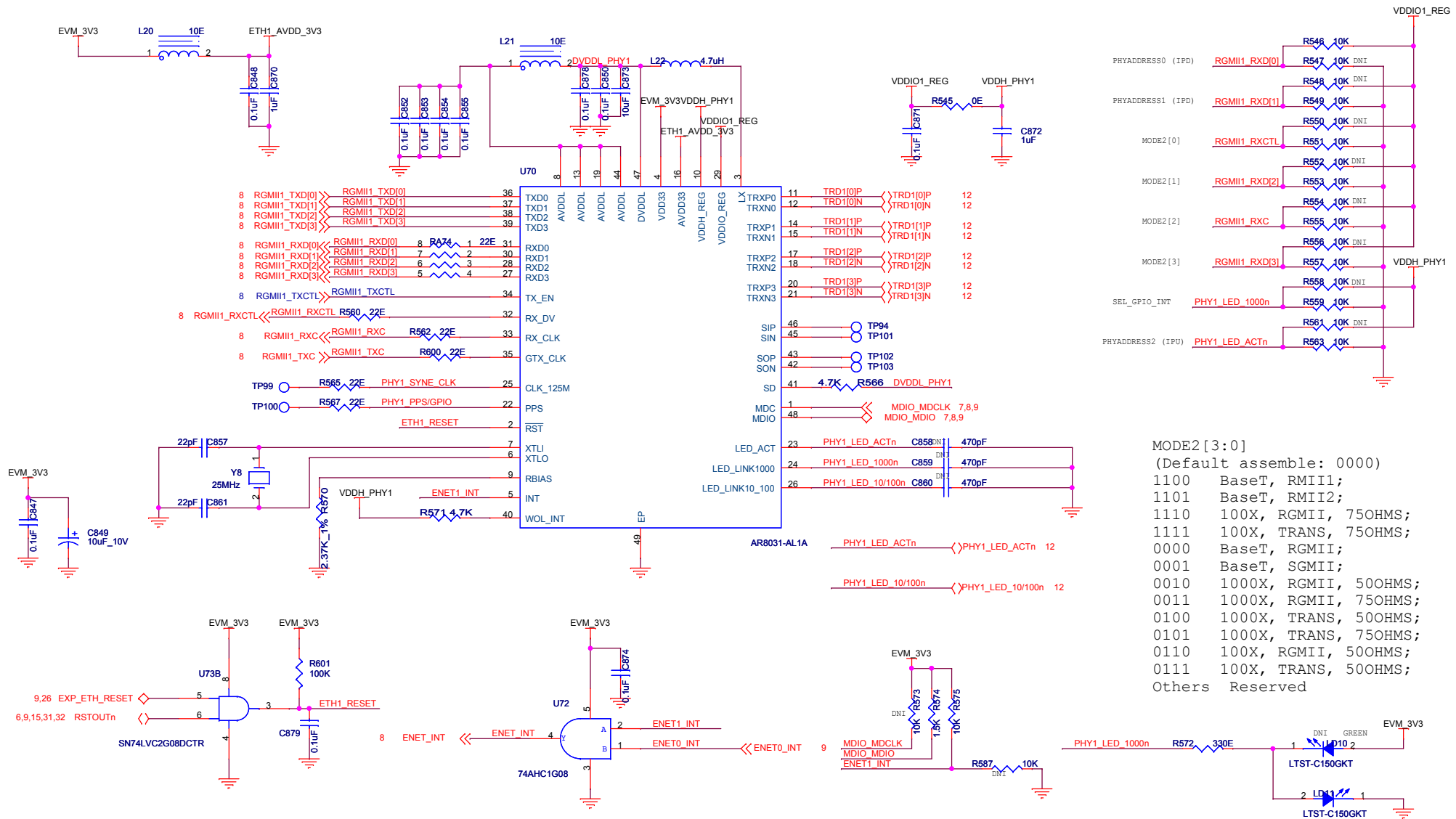
```

| REV NO. | NATURE OF CHANGE | APPROVED BY | DATE | Mistral Solutions [P] Ltd. | | Title |
|---------|------------------|-------------|------|---|--|--|
| | | | | Mistral Solutions [P] Ltd. #60 Adarsh regent, 100 Feet Ring Road, Domlur Extension Bangalore 560 071, Ph : +91-80-30912600, Fax : +91-80-2535 6444 | | ETHERNET PHY-0 |
| | | | | Drawn by: Mistral Design Team Date: Monday, May 31, 2010 | Approved by: Mistral Approval Team Date: Wednesday, November 02, 2011 | Size: B Document Number: MS_TI_DM814x_BB_REV0_SCH Date: Wednesday, November 02, 2011 |
| | | | | Design file path: | | Sheet 9 of 44 |



DIFFERENTIAL PAIR
 100 OHM DIFFERENTIAL
 IMPEDANCE
 SHORT AND STRAIGHT AS
 POSSIBLE,
 MINIMUM NUMBER OF VIAS

| REV NO. | NATURE OF CHANGE | APPROVED BY | DATE | Mistral Solutions [P] Ltd. MISTRAL #60 Adarsh regent,100 Feet Ring Road, Domlur Extension Bangalore 560 071, Ph : +91-80-30912600, Fax :+91-80-2535 6444 | | Title | ETHERNET CONN-0 | |
|---------|------------------|-------------|------|--|------------------------------------|------------------------------------|--------------------------|-----|
| | | | | Drawn by: Mistral Design Team | Approved by: Mistral Approval Team | Size | Document Number | Rev |
| | | | | Date: Monday, May 31, 2010 | Date: Wednesday, November 02, 2011 | B | MS_TI_DM814x_BB_REVD_SCH | D |
| | | | | Design file path: | | Date: Wednesday, November 02, 2011 | Sheet 10 of 44 | |



```

MODE2[3:0]
(Default assemble: 0000)
1100 BaseT, RGMII;
1101 BaseT, RMI12;
1110 100X, RGMII, 75OHMS;
1111 100X, TRANS, 75OHMS;
0000 BaseT, RGMII;
0001 BaseT, SGMII;
0010 1000X, RGMII, 50OHMS;
0011 1000X, RGMII, 75OHMS;
0100 1000X, TRANS, 50OHMS;
0101 1000X, TRANS, 75OHMS;
0110 100X, RGMII, 50OHMS;
0111 100X, TRANS, 50OHMS;
Others Reserved
  
```

| REV NO. | NATURE OF CHANGE | APPROVED BY | DATE | Mistral Solutions [P] Ltd. | | Title |
|---------|------------------|-------------|------|---|--|---|
| | | | | Mistral Solutions [P] Ltd. #60 Adarsh regent, 100 Feet Ring Road, Domlur Extension Bangalore 560 071, Ph : +91-80-30912600, Fax : +91-80-2535 6444 | | ETHERNET PHY-1 |
| | | | | Drawn by: Mistral Design Team Date: Monday, May 31, 2010 | Approved by: Mistral Approval Team Date: Wednesday, November 02, 2011 | Size: B Document Number: MS_TI_DM814x_BB_REV_D_SCH |
| | | | | Design file path: | | Date: Wednesday, November 02, 2011 Sheet 11 of 44 |

- 11 TRD1[3]P <> TRD1[3]P
- 11 TRD1[3]N <> TRD1[3]N
- 11 TRD1[2]P <> TRD1[2]P
- 11 TRD1[2]N <> TRD1[2]N
- 11 TRD1[1]P <> TRD1[1]P
- 11 TRD1[1]N <> TRD1[1]N
- 11 TRD1[0]P <> TRD1[0]P
- 11 TRD1[0]N <> TRD1[0]N



11 PHY1_LED_ACTn <> R576 221E 1%


11 PHY1_LED_10/100n <> R585 221E 1%

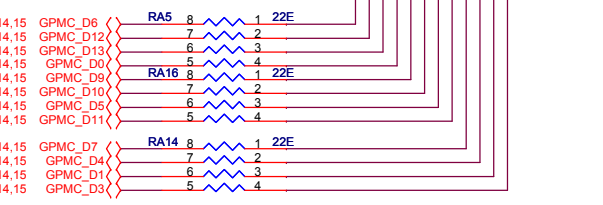
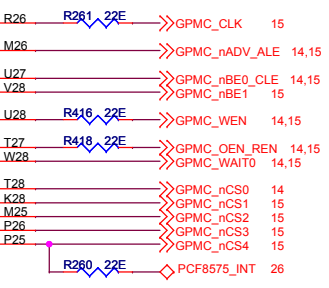
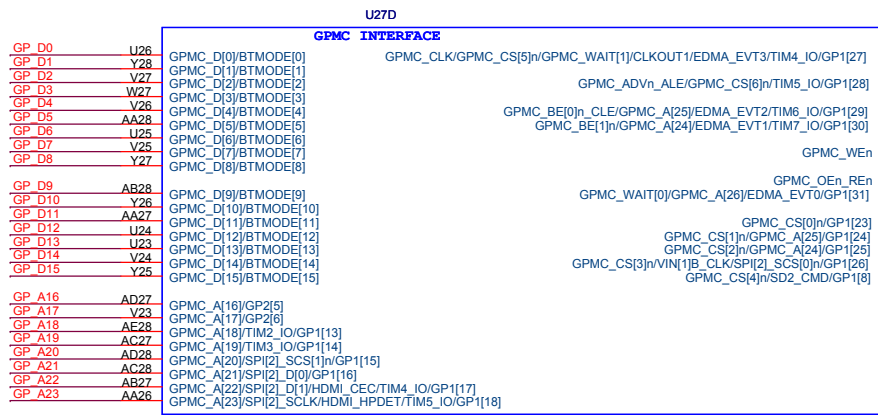
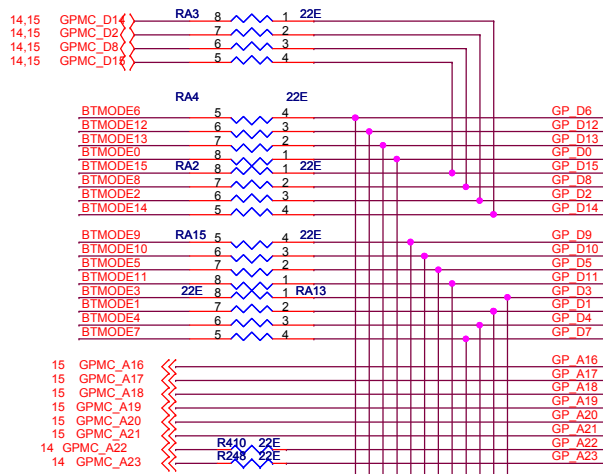
J27

CON_RJ45-14_6605814-6

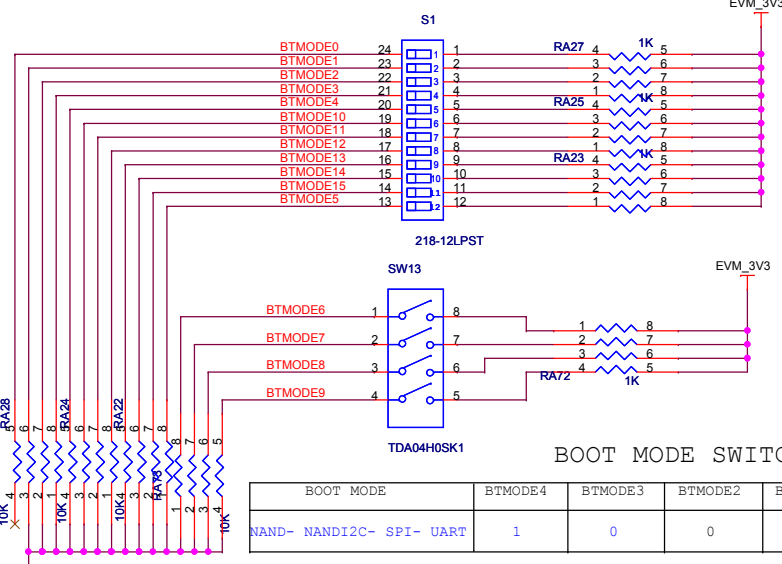
RJ-45
Cable side

DIFFERENTIAL PAIR
100 OHM DIFFERENTIAL
IMPEDANCE
SHORT AND STRAIGHT AS
POSSIBLE,
MINIMUM NUMBER OF VIAS

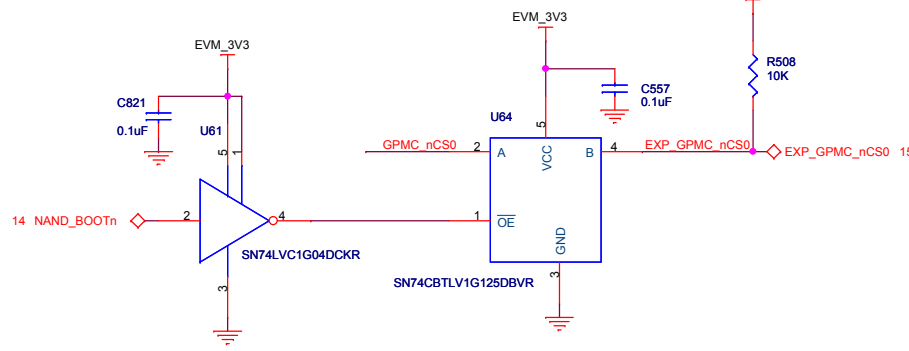
| REV NO. | NATURE OF CHANGE | APPROVED BY | DATE |  Mistral Solutions [P] Ltd. #60 Adarsh regent, 100 Feet Ring Road, Domlur Extension Bangalore 560 071, Ph : +91-80-30912600, Fax : +91-80-2535 6444 | | Title | ETHERNET CONN-1 | |
|-------------------|------------------|-------------|------|--|--|---|---|--------|
| | | | | Drawn by: Mistral Design Team Date: Monday, May 31, 2010 | Approved by: Mistral Approval Team Date: Wednesday, November 02, 2011 | Size: B Date: Wednesday, November 02, 2011 | Document Number: MS_TI_DM814x_BB_REVd_SCH | Rev: D |
| Design file path: | | | | Date: Wednesday, November 02, 2011 | | Sheet 12 of 44 | | |



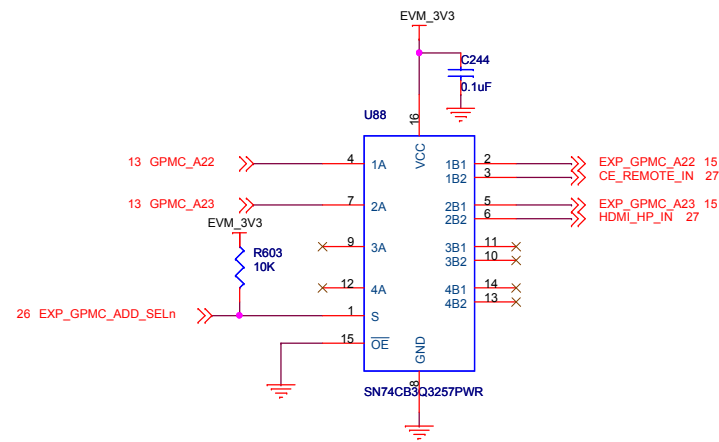
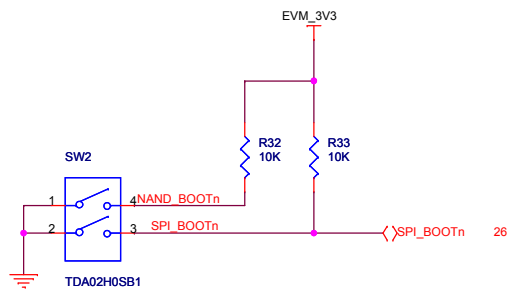
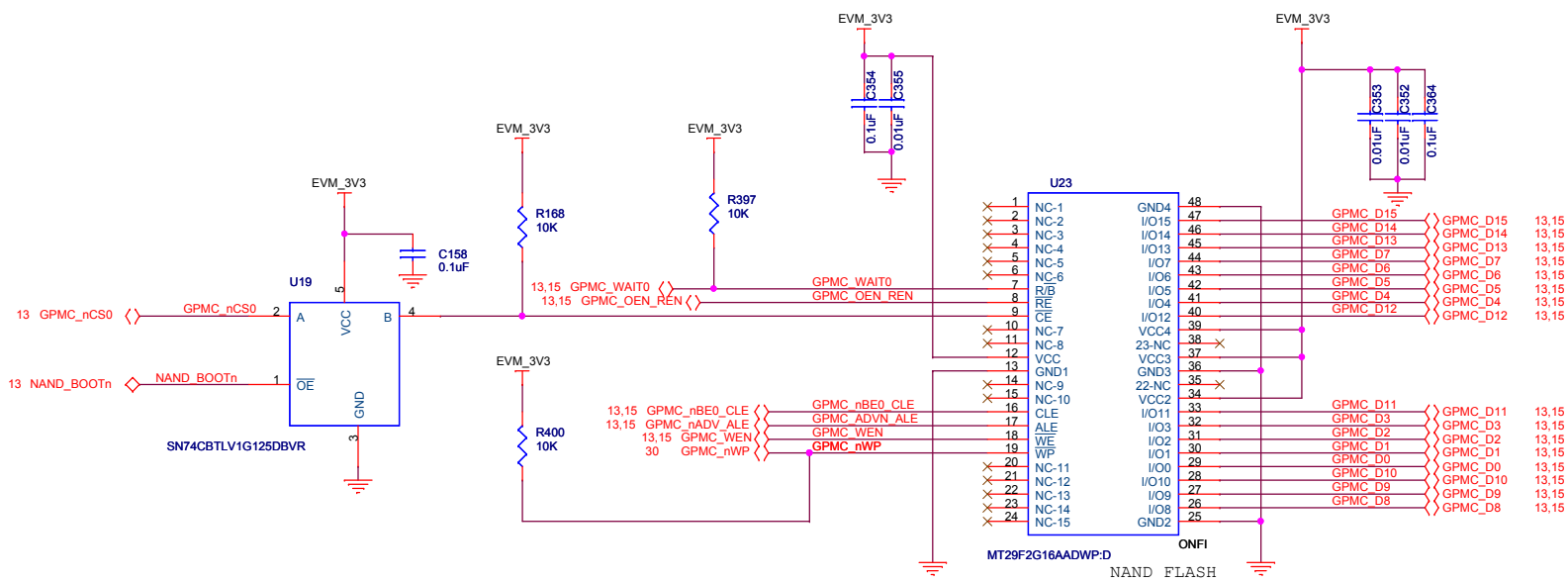
TMS320DM14x



PINS - 2,5,7 in ON Position for S1

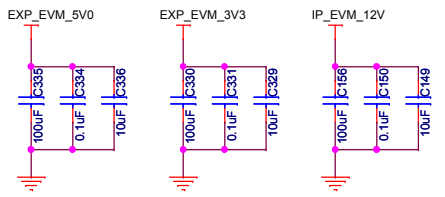
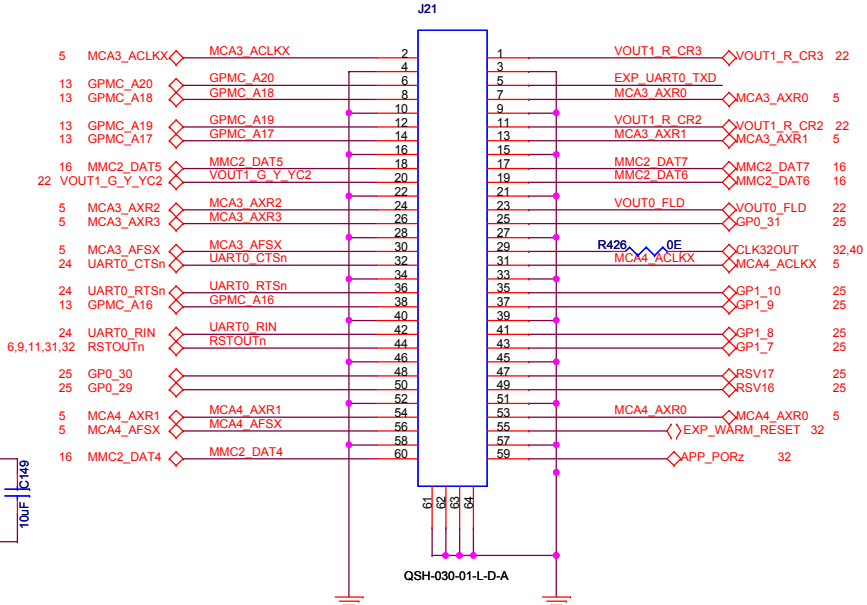
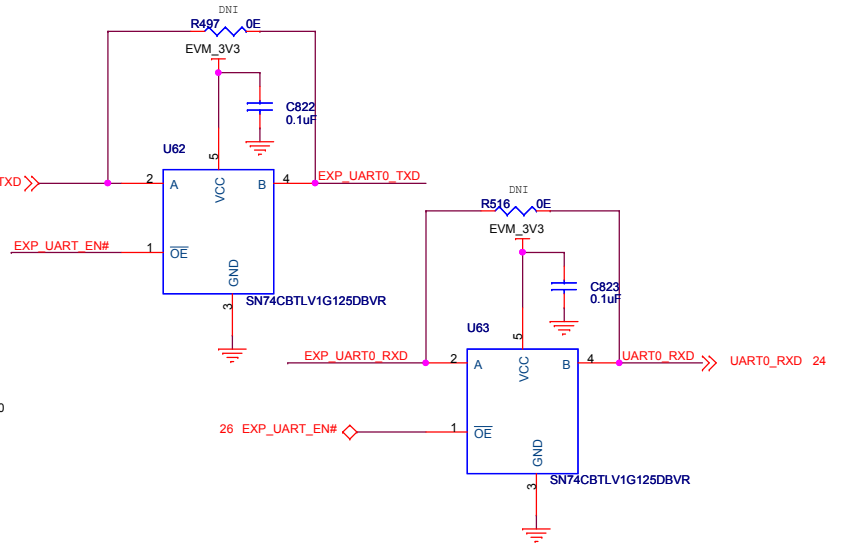
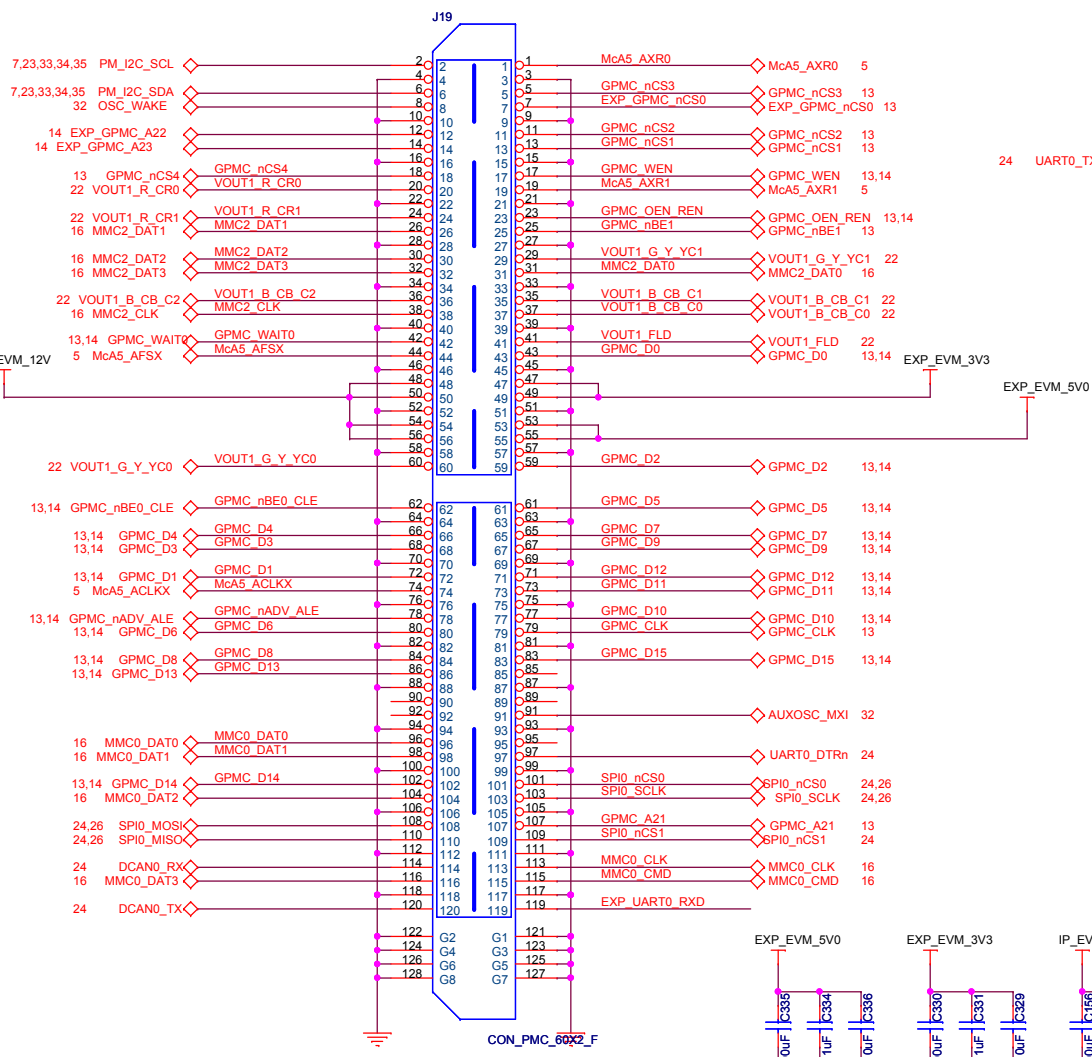


| REV NO. | NATURE OF CHANGE | APPROVED BY | DATE | Mistral Solutions [P] Ltd. | | Title |
|---------|------------------|-------------|------|---|--|--|
| | | | | Mistral Solutions [P] Ltd. #60 Adarsh regent,100 Feet Ring Road, Domlur Extension Bangalore 560 071, Ph : +91-80-30912600, Fax :+91-80-2535 6444 | | DM814x_GPMC |
| | | | | Drawn by: Mistral Design Team Date: Monday, May 31, 2010 | Approved by: Mistral Approval Team Date: Wednesday, November 02, 2011 | Size: B Document Number: MS_TI_DM814x_BB_REVd_SCH Date: Wednesday, November 02, 2011 |
| | | | | Design file path: | | Sheet 13 of 44 |

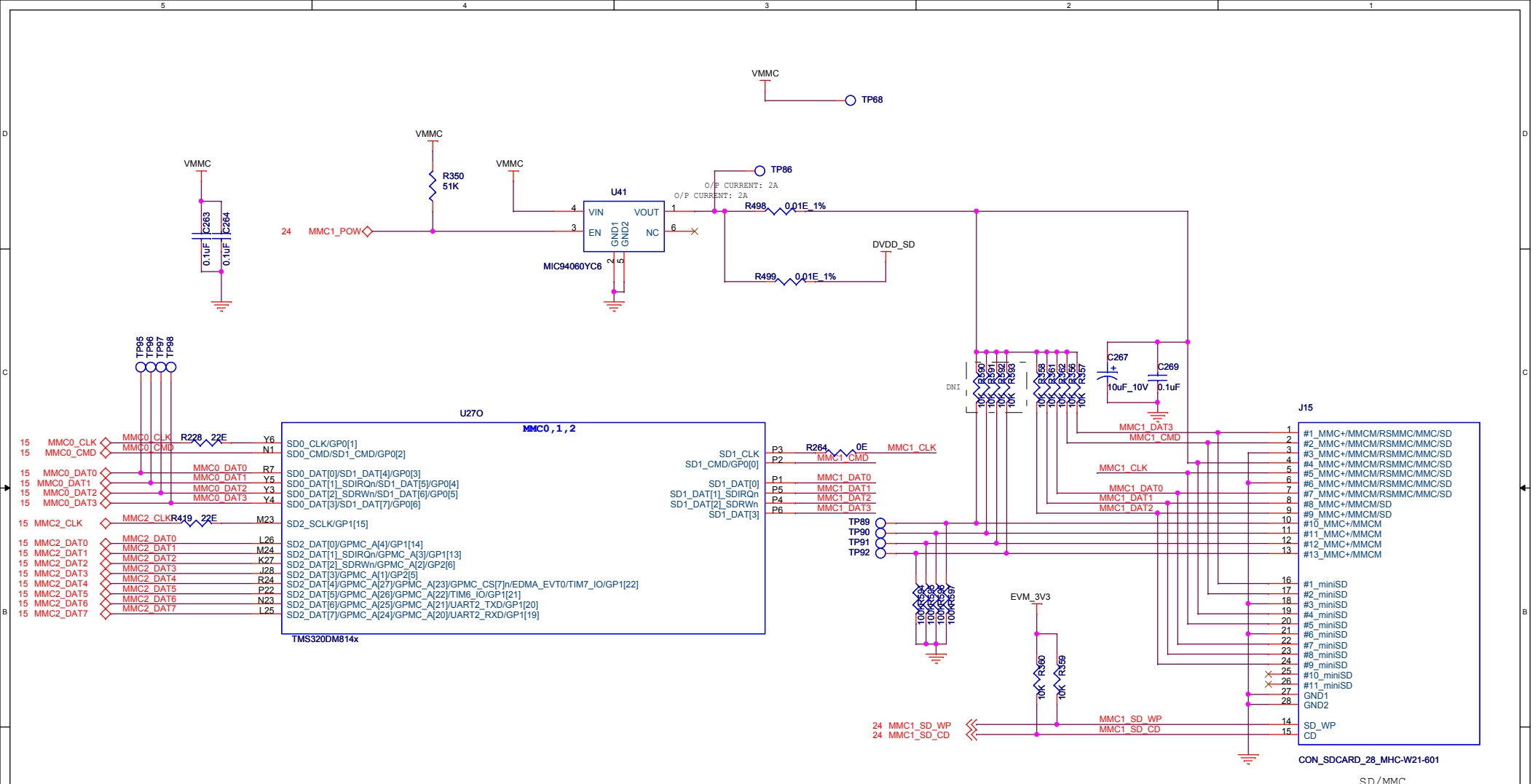


NOTE: POSITION 1 IN ON CONDITION

| REV NO. | NATURE OF CHANGE | APPROVED BY | DATE | Mistral Solutions [P] Ltd. #60 Adarsh regent,100 Feet Ring Road, Domlur Extension Bangalore 560 071, Ph : +91-80-30912600, Fax :+91-80-2535 6444 | | Title | NAND FLASH | |
|---------|------------------|-------------|------|--|------------------------------------|-------|------------------------------|----------------|
| | | | | Drawn by: Mistral Design Team | Approved by: Mistral Approval Team | Size | Document Number | |
| | | | | Date: Monday, May 31, 2010 | Date: Wednesday, November 02, 2011 | B | MS_TI_DM814x_BB_REVd_SCH | |
| | | | | Design file path: | | Date: | Wednesday, November 02, 2011 | Sheet 14 of 44 |



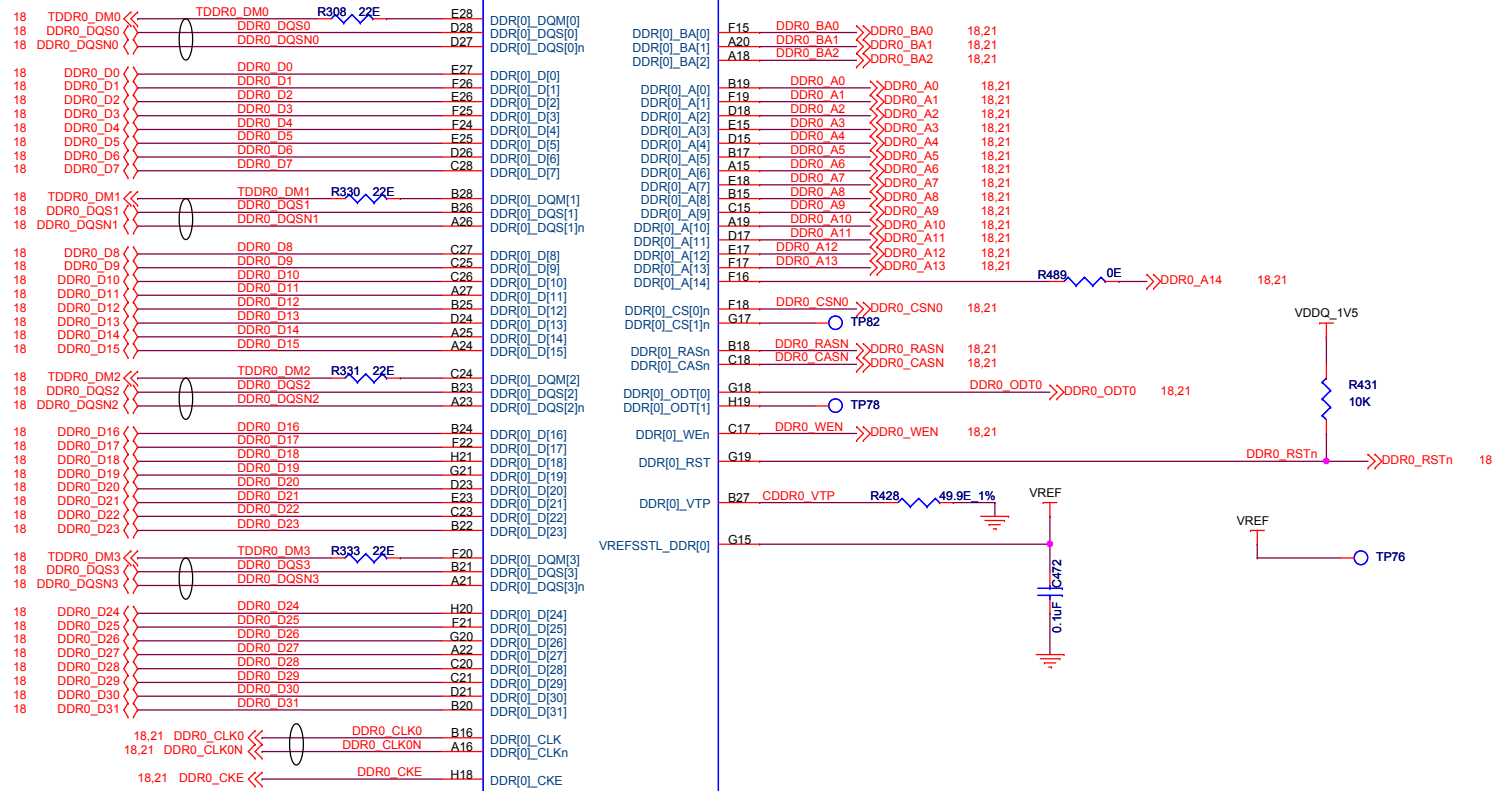
| REV NO. | NATURE OF CHANGE | APPROVED BY | DATE | Mistral Solutions [P] Ltd. | | Title | GPMC B-B CONNE | |
|---------|------------------|-------------|------|---|--|---|----------------|--|
| | | | | Mistral Solutions [P] Ltd. #60 Adarsh regent,100 Feet Ring Road, Domlur Extension Bangalore 560 071, Ph : +91-80-30912600, Fax :+91-80-2535 6444 | | | | |
| | | | | Drawn by: Mistral Design Team Date: Monday, May 31, 2010 | Approved by: Mistral Approval Team Date: Wednesday, November 02, 2011 | Size: B Document Number: MS_TI_DM814x_BB_REV01_SCH | Rev: D | |
| | | | | Design file path: | | Date: Wednesday, November 02, 2011 | Sheet 15 of 44 | |



| REV NO. | NATURE OF CHANGE | APPROVED BY | DATE | Mistral Solutions [P] Ltd. | | Title |
|---------|------------------|-------------|------|---|--|--|
| | | | | Mistral Solutions [P] Ltd. #60 Adarsh regent, 100 Feet Ring Road, Domlur Extension Bangalore 560 071, Ph : +91-80-30912600, Fax : +91-80-2535 6444 | | DM814x_MMC0_1_2 |
| | | | | Drawn by: Mistral Design Team Date: Monday, May 31, 2010 | Approved by: Mistral Approval Team Date: Wednesday, November 02, 2011 | Document Number MS_TI_DM814x_BB_REV_D_SCH |
| | | | | Design file path: | | Date: Wednesday, November 02, 2011 Sheet 16 of 44 |

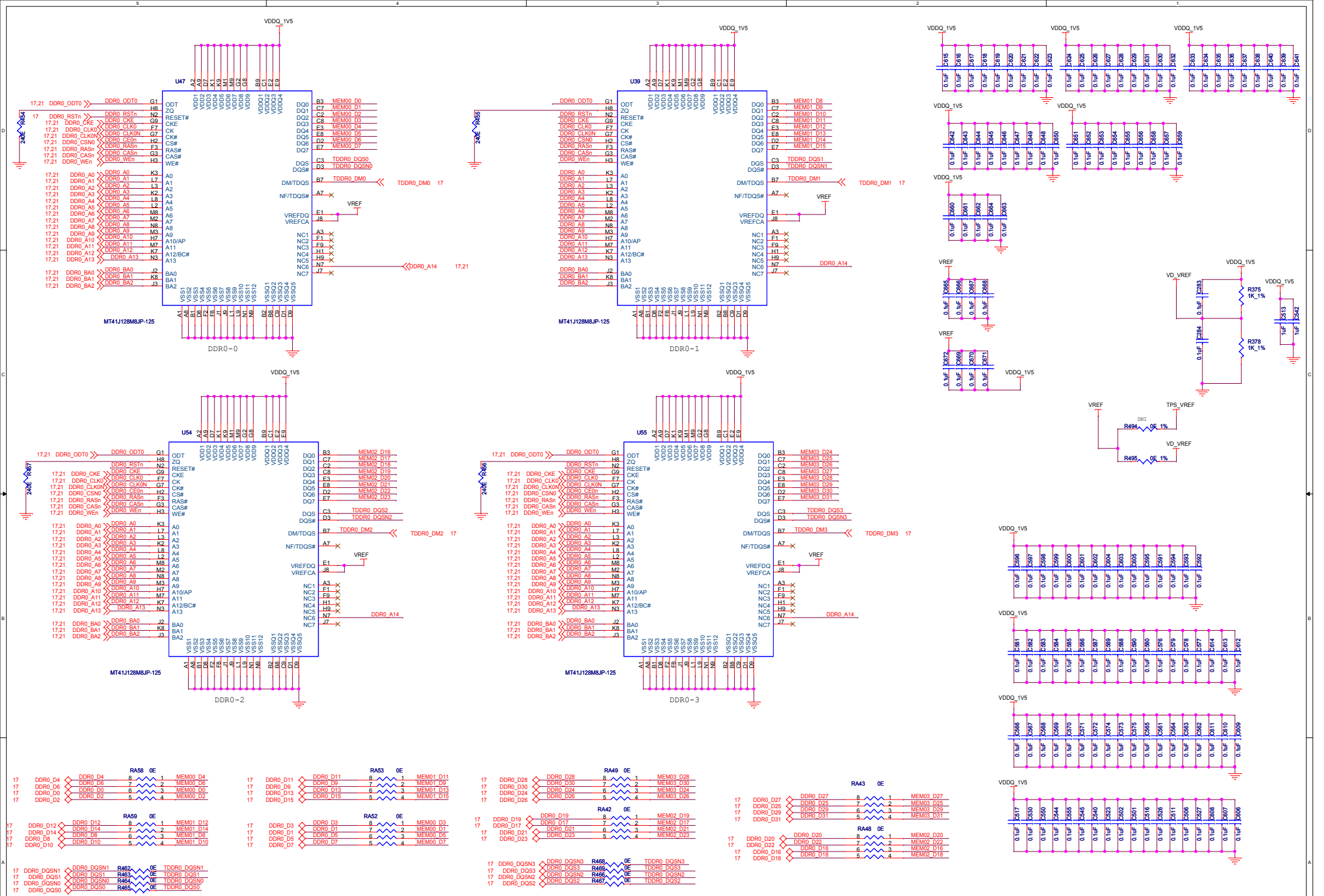
U27E

DDR0 INTERFACE



TMS320DM814x

| REV NO. | NATURE OF CHANGE | APPROVED BY | DATE | Mistral Solutions [P] Ltd. | | Title | DM814x_DDR0 |
|---------|------------------|-------------|------|---|--|---|----------------|
| | | | | Mistral Solutions [P] Ltd. #60 Adarsh regent, 100 Feet Ring Road, Domlur Extension Bangalore 560 071, Ph : +91-80-30912600, Fax : +91-80-2535 6444 | | | |
| | | | | Drawn by: Mistral Design Team Date: Monday, May 31, 2010 | Approved by: Mistral Approval Team Date: Wednesday, November 02, 2011 | Size: B Document Number: MS_TI_DM814x_BB_REV_D_SCH | Rev: D |
| | | | | Design file path: | | Date: Wednesday, November 02, 2011 | Sheet 17 of 44 |

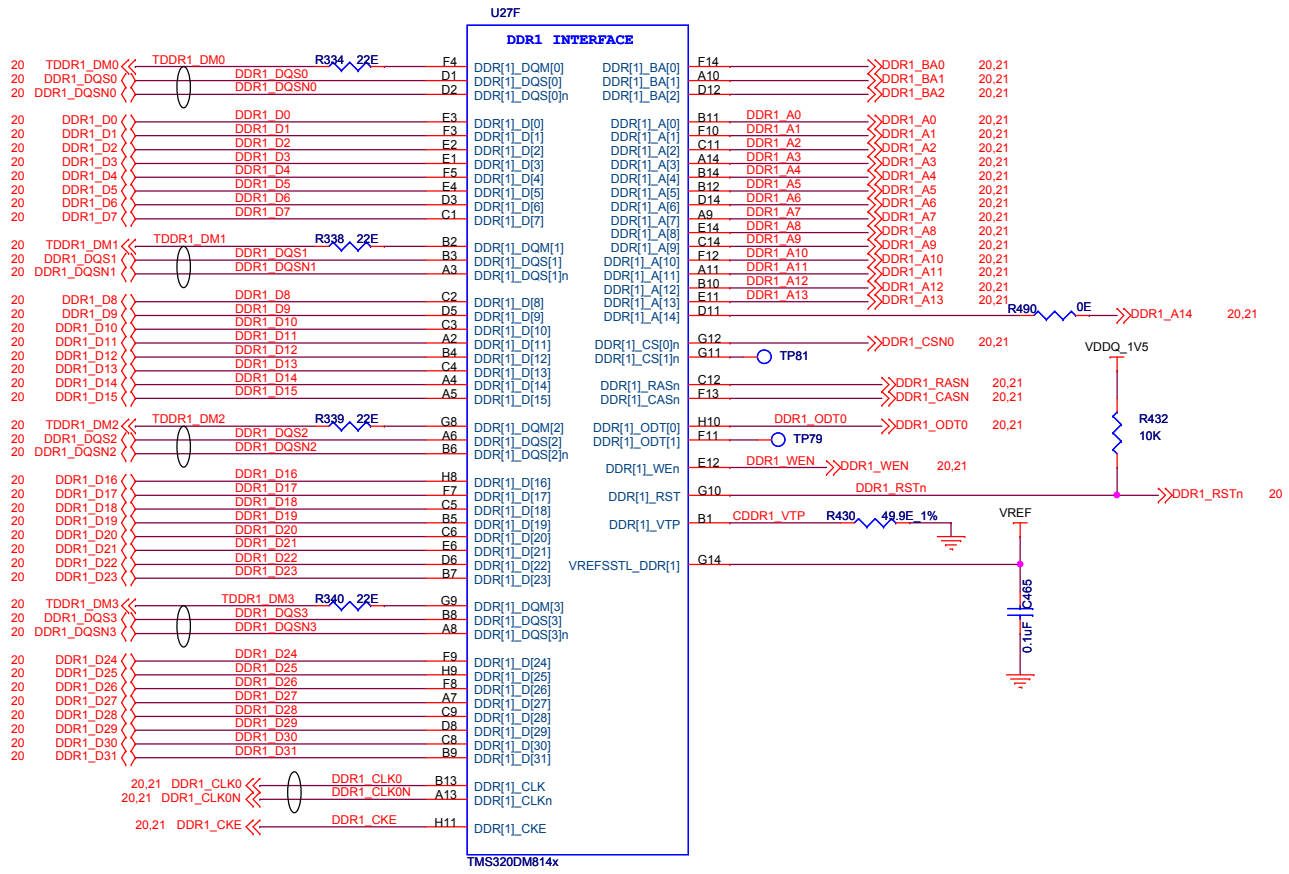


| REV.NO. | NATURE OF CHANGE | APPROVED BY | DATE |
|---------|------------------|-------------|------|
| | | | |
| | | | |
| | | | |

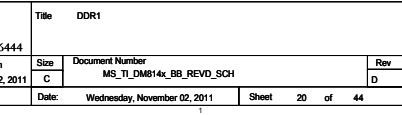
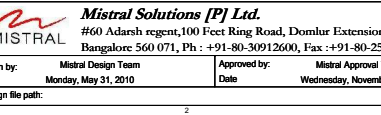
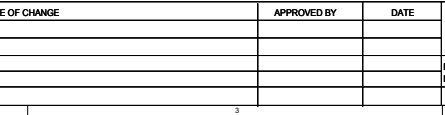
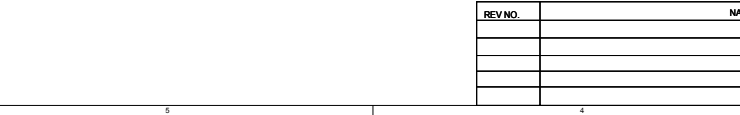
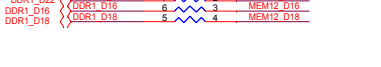
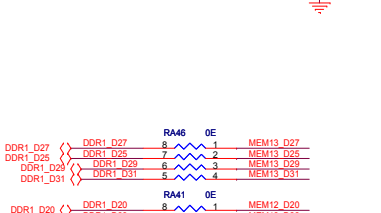
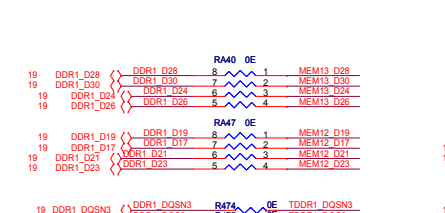
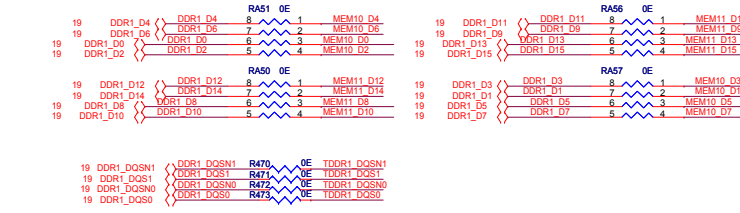
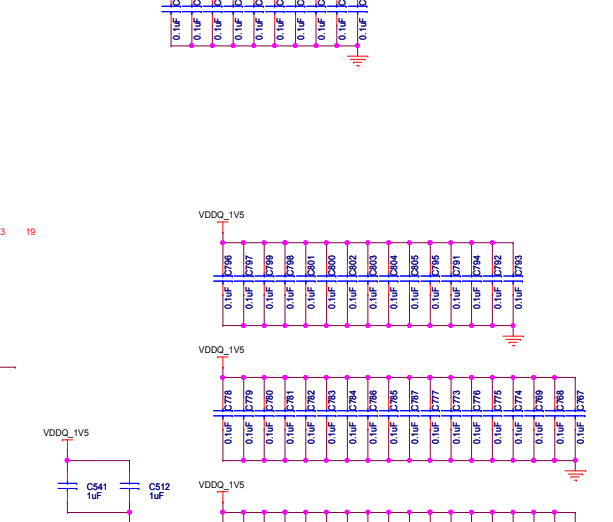
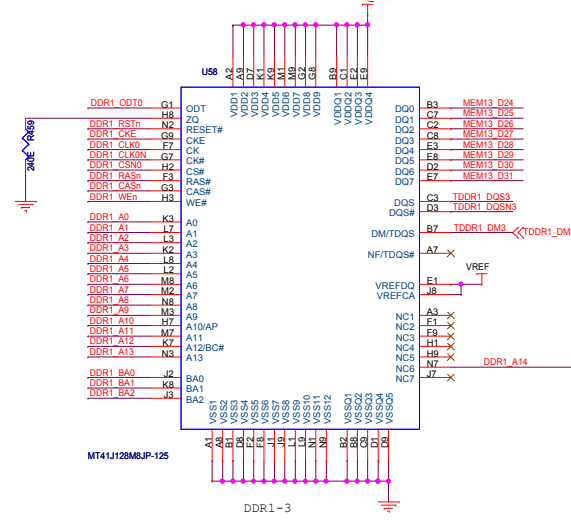
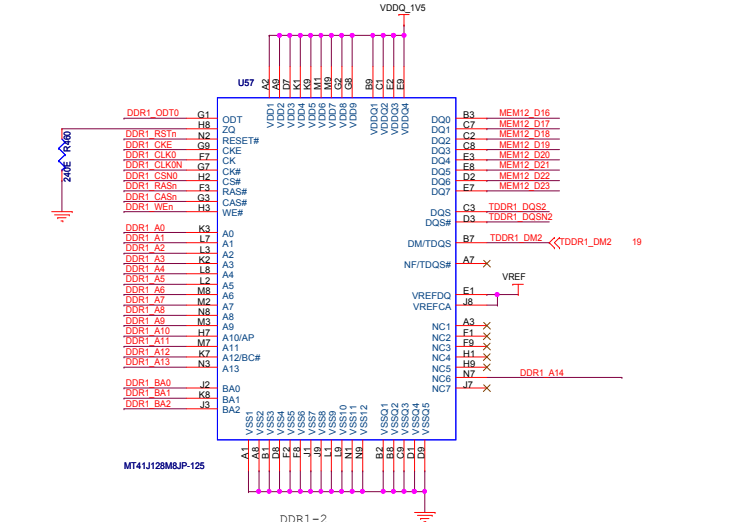
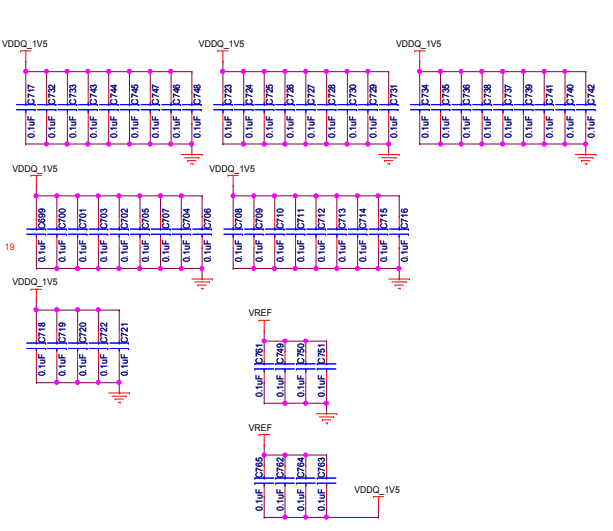
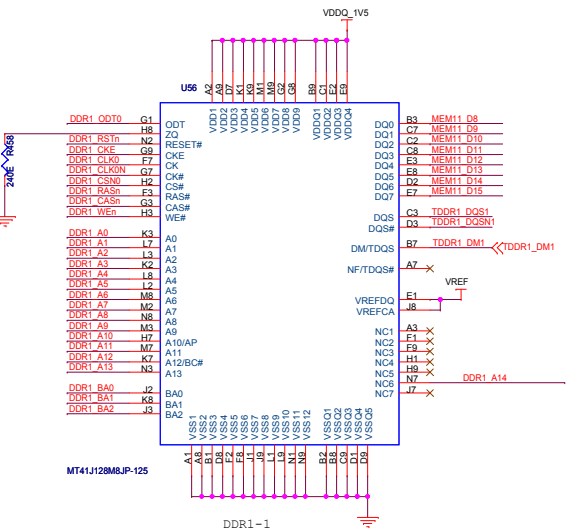
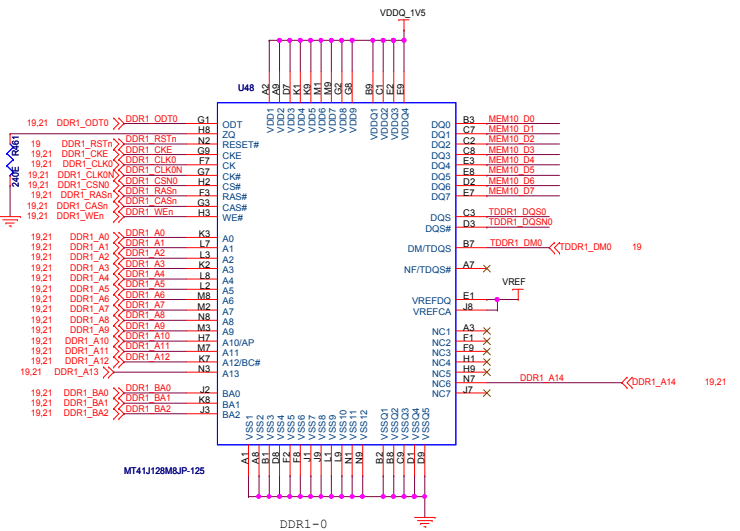
Mistral Solutions [P] Ltd.
 #60 Adash regent, 100 Feet Ring Road, Domlur Extension
 Bangalore 560 071, Ph : +91-80-30912600, Fax : +91-80-2535 6444

Drawn by: Mistral Design Team Approved by: Mistral Approval Team
 Date: Monday, May 31, 2010 Date: Wednesday, November 02, 2011
 Design file path:

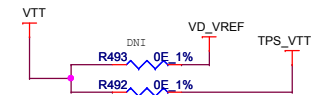
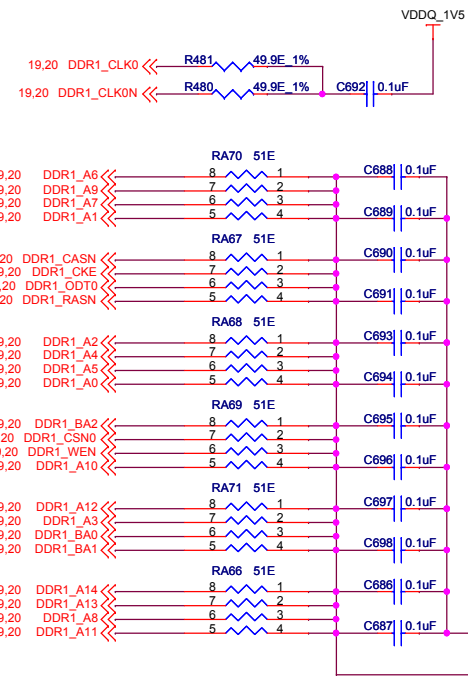
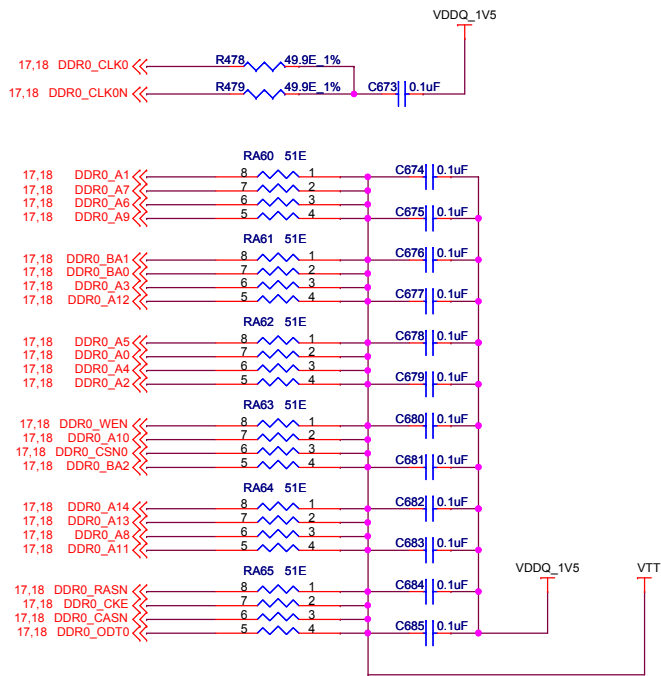
| | |
|-------|------------------------------|
| Title | DDR0 |
| Size | Document Number |
| C | MS_TL_DM814r_BB_REV02_SCH |
| Date: | Wednesday, November 02, 2011 |
| Sheet | 18 of 44 |




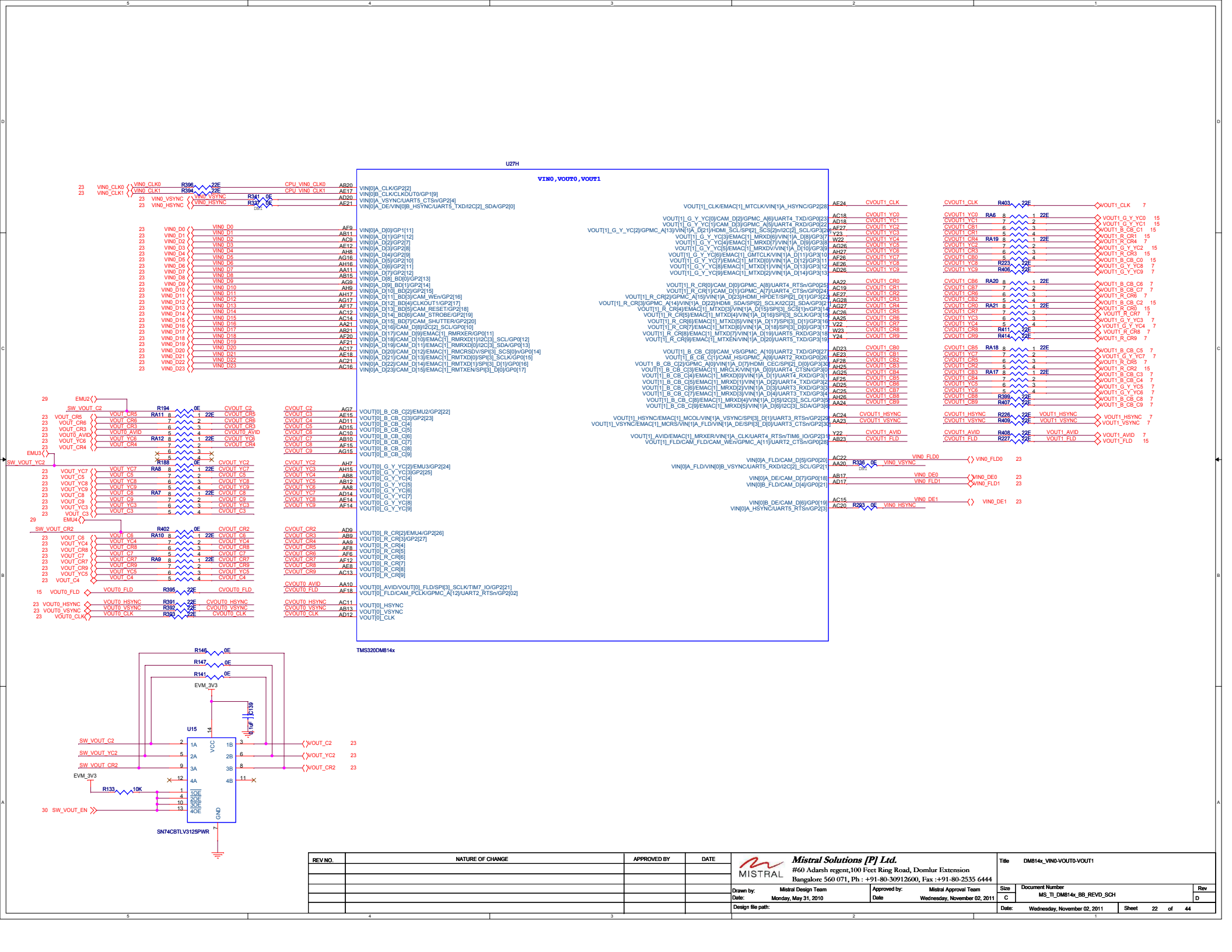
| REV NO. | NATURE OF CHANGE | APPROVED BY | DATE | Mistral Solutions [P] Ltd. | | Title |
|---------|------------------|-------------|------|---|--|---|
| | | | | Mistral Solutions [P] Ltd. #60 Adarsh regent, 100 Feet Ring Road, Domlur Extension Bangalore 560 071, Ph : +91-80-30912600, Fax : +91-80-2535 6444 | | DM814x_DDR1 |
| | | | | Drawn by: Mistral Design Team Date: Monday, May 31, 2010 | Approved by: Mistral Approval Team Date: Wednesday, November 02, 2011 | Size: B Document Number: MS_TI_DM814x_BB_REV_D_SCH |
| | | | | Design file path: | | Date: Wednesday, November 02, 2011 Sheet 19 of 44 |



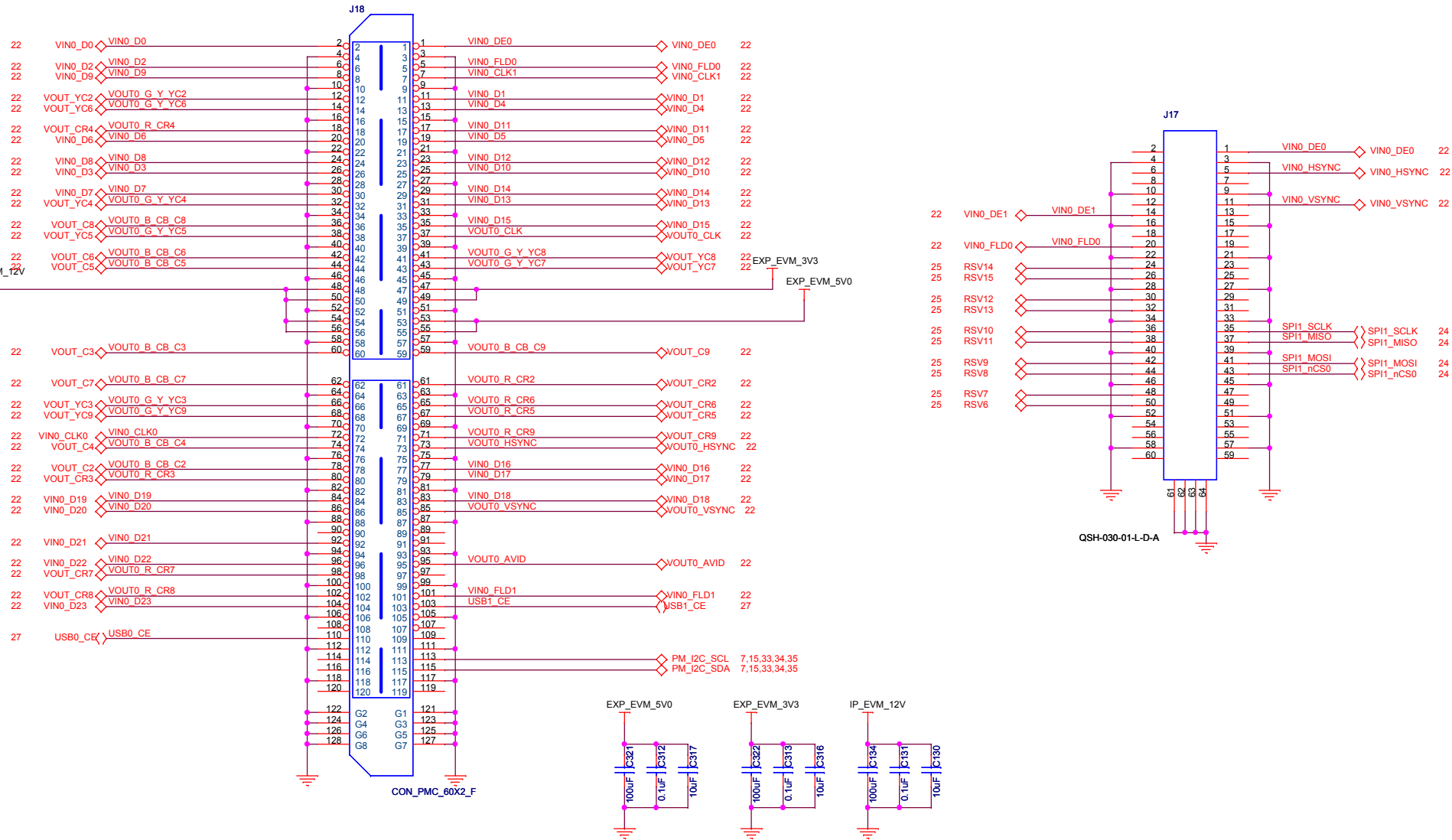
| REV.NO. | NATURE OF CHANGE | APPROVED BY | DATE | Design file path: | Mistral Solutions [P] Ltd. | Title | Document Number | Rev |
|---------|------------------|-------------|------|-------------------|--|------------------------------------|--------------------------|-------|
| | | | | | #60 Adarsh regent,100 Feet Ring Road, Domlur Extension Bangalore 560 071, Ph. : +91-80-30912600, Fax : +91-80-2535 6444 | DDR1 | MS_TLDM814x_B8_REV02_SCH | D |
| | | | | | Drawn by: Mistral Design Team | Approved by: Mistral Approval Team | Size: C | |
| | | | | | Date: Monday, May 31, 2010 | Date: Wednesday, November 02, 2011 | Sheet: 20 | of 44 |
| | | | | | | Date: Wednesday, November 02, 2011 | Sheet: 20 | of 44 |



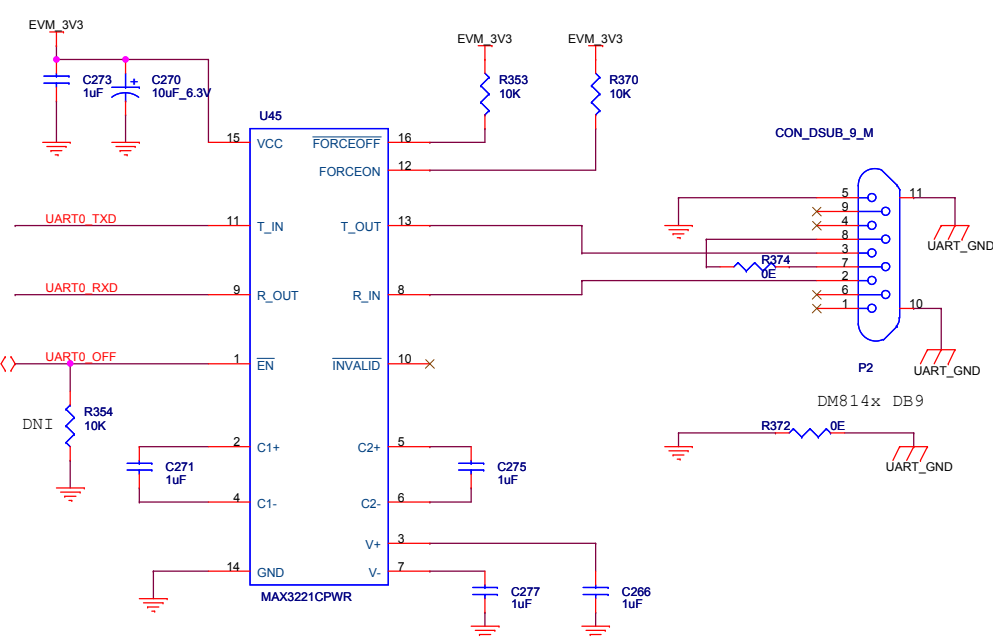
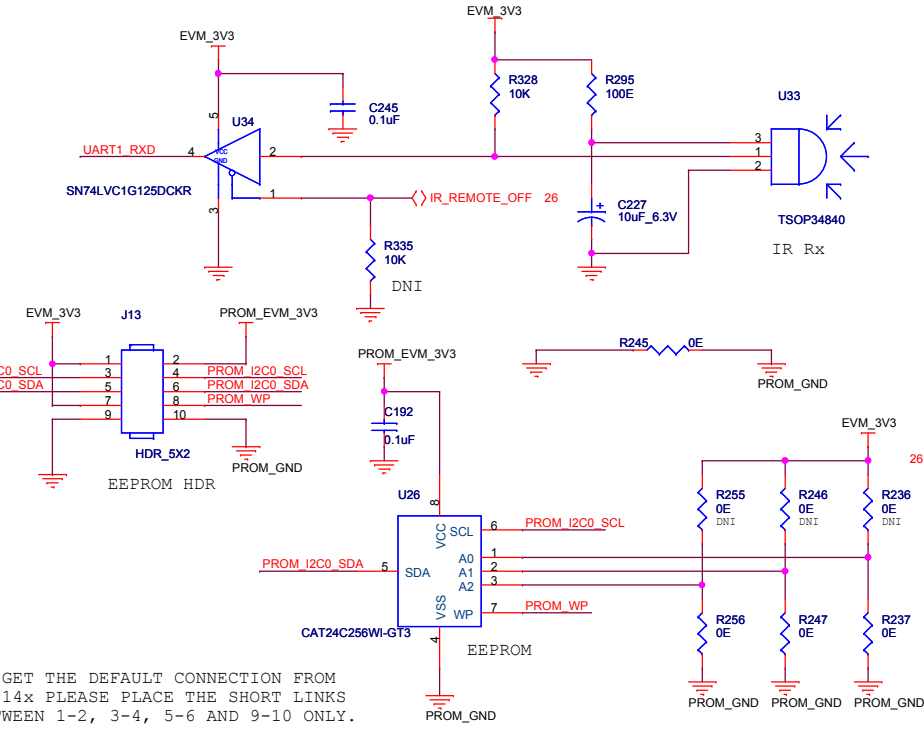
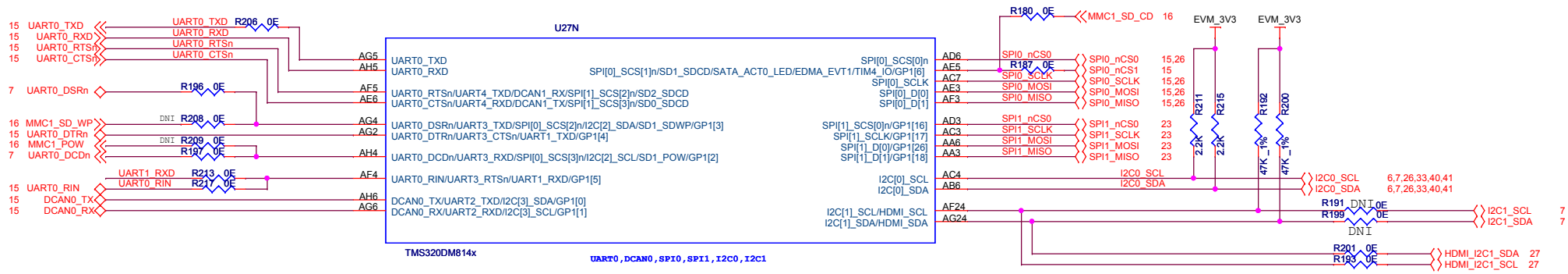
| REV NO. | NATURE OF CHANGE | APPROVED BY | DATE |  Mistral Solutions [P] Ltd. #60 Adarsh regent, 100 Feet Ring Road, Domlur Extension Bangalore 560 071, Ph : +91-80-30912600, Fax : +91-80-2535 6444 | | Title | DDR- TERMINATIONS | |
|---------|------------------|-------------|------|--|--|-------|------------------------------|----------------|
| | | | | Drawn by: Mistral Design Team Date: Monday, May 31, 2010 | Approved by: Mistral Approval Team Date: Wednesday, November 02, 2011 | Size | Document Number | Rev |
| | | | | Design file path: | | B | MS_TI_DM814x_BB_REVD_SCH | D |
| | | | | | | Date: | Wednesday, November 02, 2011 | Sheet 21 of 44 |



| REV.NO. | NATURE OF CHANGE | APPROVED BY | DATE | Mistral Solutions [P] Ltd. #60 Adarsh regent,100 Feet Ring Road, Domlur Extension Bangalore 560 071, Ph : +91-80-30912600, Fax :+91-80-2535 6444 | Title | DM814x_VINO-VOUT0-VOUT1 |
|---------|------------------|-------------|------|--|---|---|
| | | | | | Mistral Design Team Monday, May 31, 2010 | Mistral Approval Team Wednesday, November 02, 2011 |
| | | | | Design file path: | Size | Document Number |
| | | | | | C | MS_T1_DM814x_BB_REV02_SCH |
| | | | | | Date: | Wednesday, November 02, 2011 |
| | | | | | Sheet | 22 of 44 |

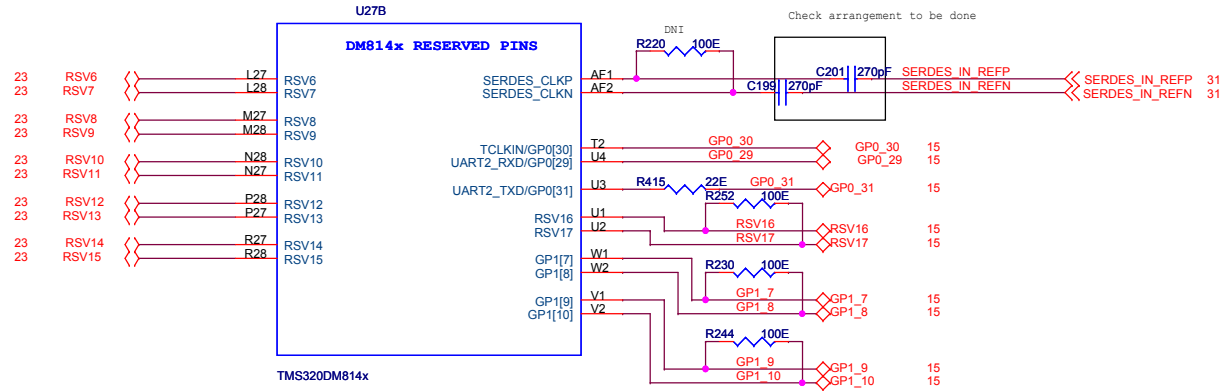


| REV NO. | NATURE OF CHANGE | APPROVED BY | DATE | Mistral Solutions [P] Ltd. | | Title | VIDEO B-B CONN | |
|---------|------------------|-------------|------|---|--|---|---|--------|
| | | | | Mistral Solutions [P] Ltd. #60 Adarsh regent, 100 Feet Ring Road, Domlur Extension Bangalore 560 071, Ph : +91-80-30912600, Fax : +91-80-2535 6444 | | | | |
| | | | | Drawn by: Mistral Design Team Date: Monday, May 31, 2010 | Approved by: Mistral Approval Team Date: Wednesday, November 02, 2011 | Size: B Date: Wednesday, November 02, 2011 | Document Number: MS_TI_DM814x_BB_REV0_SCH Sheet 23 of 44 | Rev: D |



TO GET THE DEFAULT CONNECTION FROM DM814x PLEASE PLACE THE SHORT LINKS BETWEEN 1-2, 3-4, 5-6 AND 9-10 ONLY.
DO NOT FOR 7-8

| REV NO. | NATURE OF CHANGE | APPROVED BY | DATE | Mistral Solutions [P] Ltd. | | Title | |
|---------|------------------|-------------|------|---|--|--|----------------|
| | | | | Mistral Solutions [P] Ltd. #60 Adarsh regent, 100 Feet Ring Road, Domlur Extension Bangalore 560 071, Ph : +91-80-30912600, Fax : +91-80-2535 6444 | | DM814x_SERIAL INTERFACES | |
| | | | | Drawn by: Mistral Design Team Date: Monday, May 31, 2010 | Approved by: Mistral Approval Team Date: Wednesday, November 02, 2011 | Size: B Document Number: MS_TI_DM814x_BB_REVd_SCH | Rev: D |
| | | | | Design file path: | | Date: Wednesday, November 02, 2011 | Sheet 24 of 44 |



| REV NO. | NATURE OF CHANGE | APPROVED BY | DATE | Mistral Solutions [P] Ltd. #60 Adarsh regent,100 Feet Ring Road, Domlur Extension Bangalore 560 071, Ph : +91-80-30912600, Fax :+91-80-2535 6444 | | Title | DM814x_RESERVED_PIN | | |
|--|------------------|-------------|------|--|------------------------------------|-------|---------------------------|--|--|
| | | | | Drawn by: Mistral Design Team | Approved by: Mistral Approval Team | Size | Document Number | | |
| | | | | Date: Monday, May 31, 2010 | Date: Wednesday, November 02, 2010 | B | MS_TI_DM814x_BB_REV_D_SCH | | |
| | | | | Design file path: | Date: Wednesday, November 02, 2011 | Sheet | 25 of 44 | | |
| <div style="display: flex; justify-content: space-between;"> 5 4 3 2 1 </div> | | | | | | | | | |



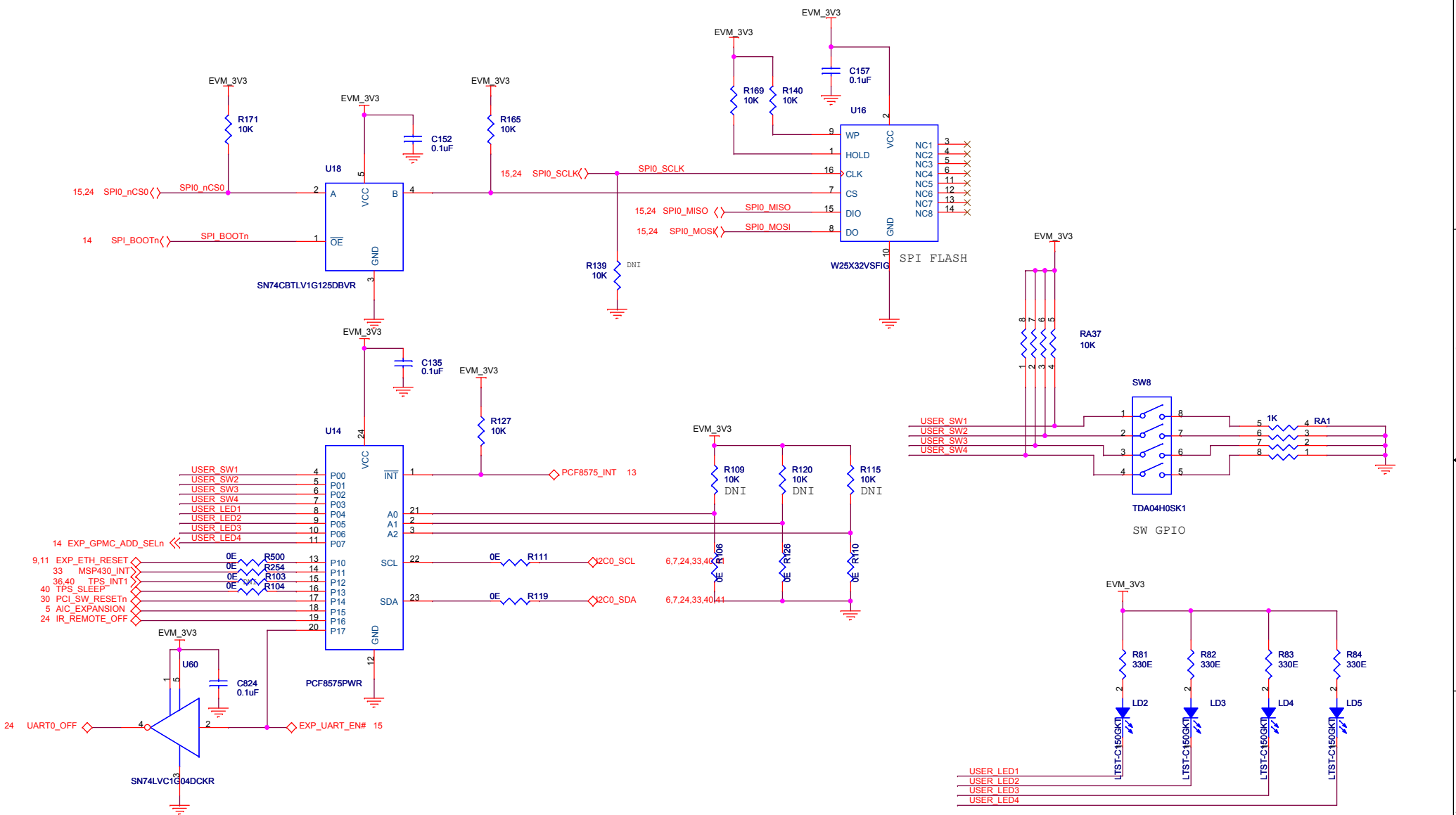
Mistral Solutions [P] Ltd.
 #60 Adarsh regent,100 Feet Ring Road, Domlur Extension
 Bangalore 560 071, Ph : +91-80-30912600, Fax :+91-80-2535 6444

Title DM814x_RESERVED_PIN

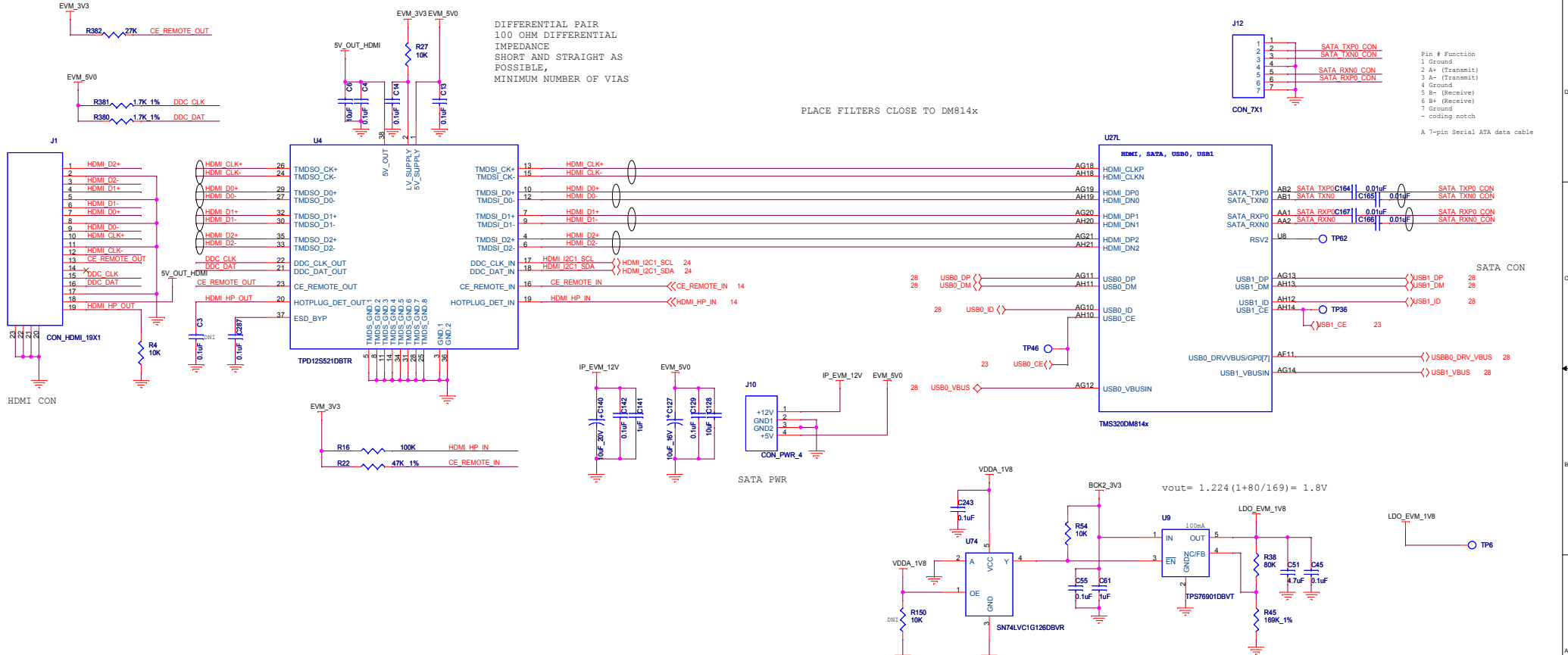
Drawn by: Mistral Design Team
 Date: Monday, May 31, 2010
 Approved by: Mistral Approval Team
 Date: Wednesday, November 02, 2010

Size B Document Number MS_TI_DM814x_BB_REV_D_SCH Rev D

Design file path: Date: Wednesday, November 02, 2011 Sheet 25 of 44



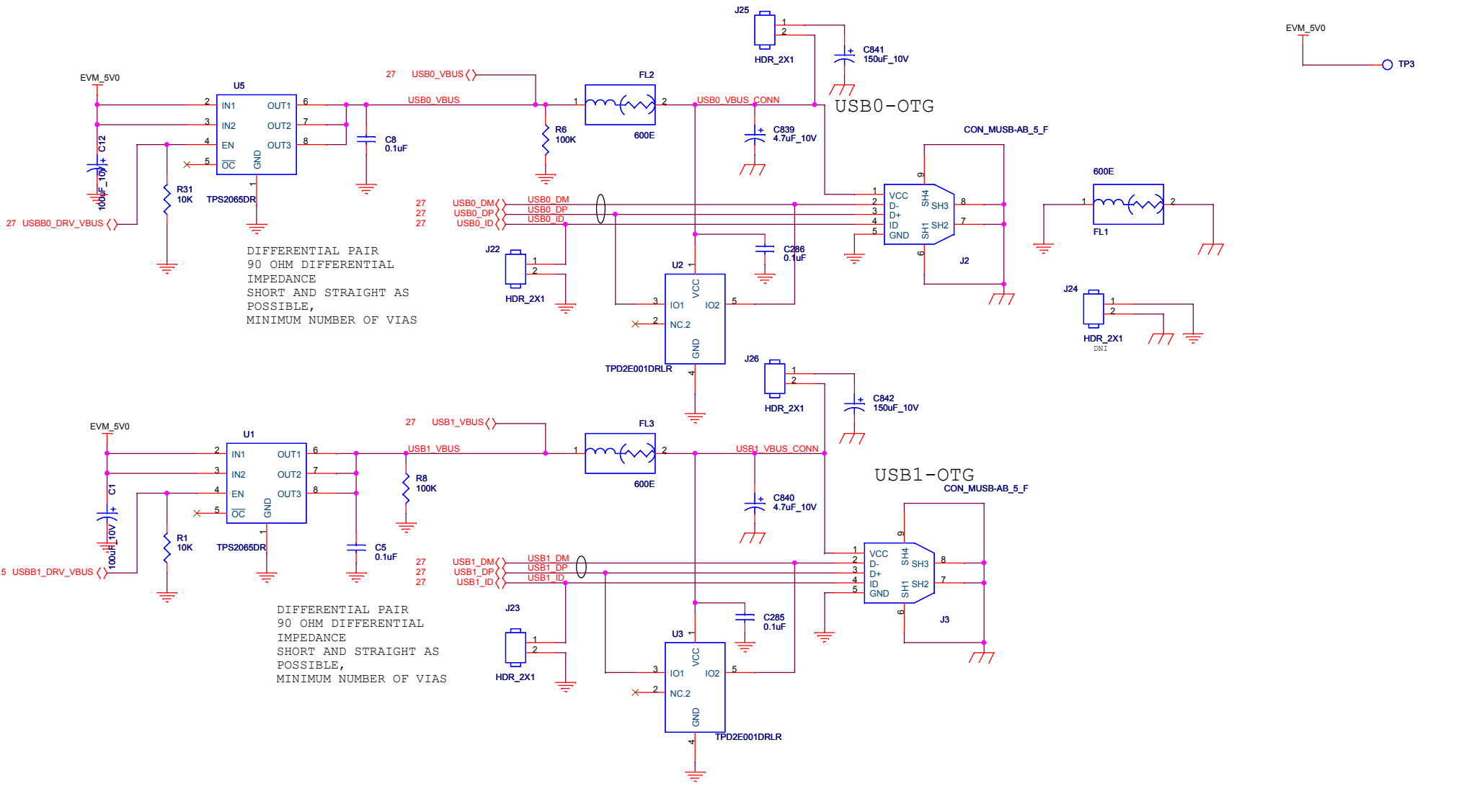
| REV NO. | NATURE OF CHANGE | APPROVED BY | DATE | Mistral Solutions [P] Ltd. | | Title | SPI FLASH_I2C EXP | |
|---------|------------------|-------------|------|---|--|--|------------------------------------|----------------|
| | | | | Mistral Solutions [P] Ltd. #60 Adarsh regent, 100 Feet Ring Road, Domlur Extension Bangalore 560 071, Ph : +91-80-30912600, Fax : +91-80-2535 6444 | | | | |
| | | | | Drawn by: Mistral Design Team Date: Monday, May 31, 2010 | Approved by: Mistral Approval Team Date: Wednesday, November 02, 2011 | Size: B Document Number: MS_TI_DM814x_BB_REVd_SCH | Date: Wednesday, November 02, 2011 | Sheet 26 of 44 |
| | | | | Design file path: | | | | |



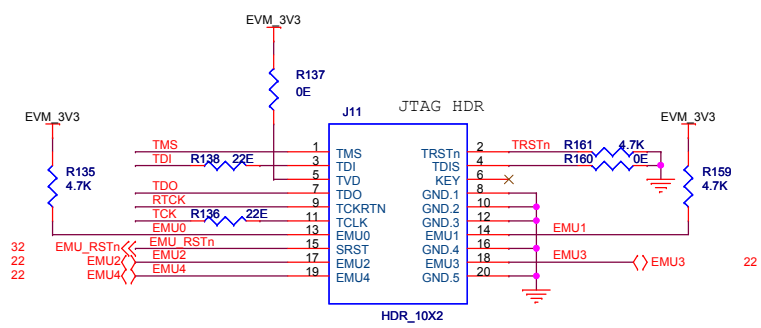
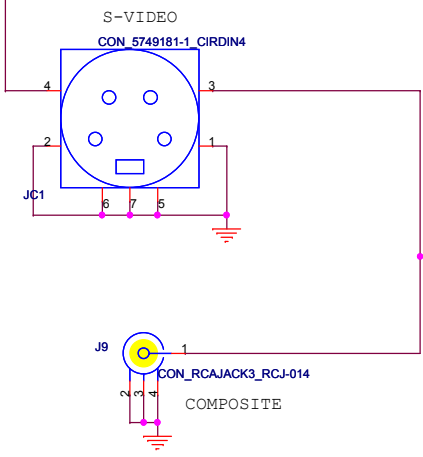
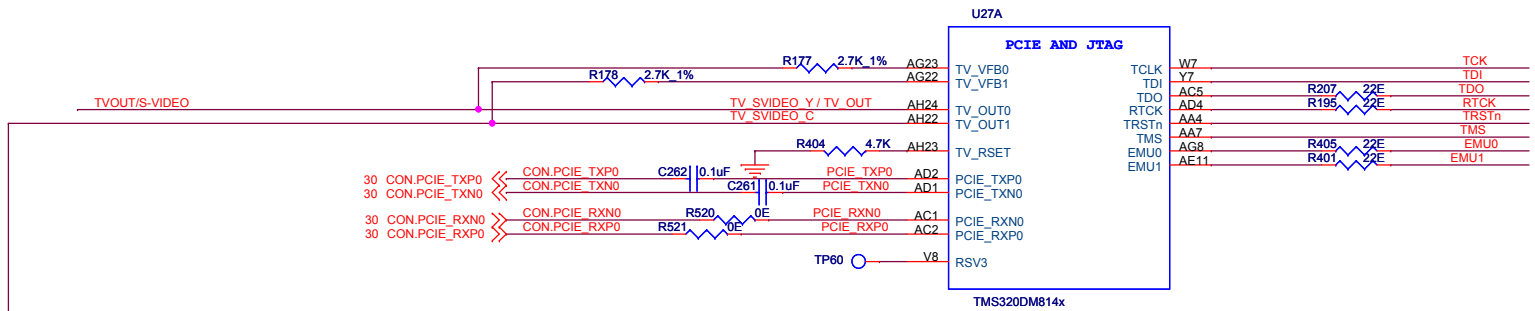
| REV.NO. | NATURE OF CHANGE | APPROVED BY | DATE |
|---------|------------------|-------------|------|
| | | | |
| | | | |
| | | | |

Mistral Solutions [P] Ltd.
#60 Adarsh regent, 100 Feet Ring Road, Domlur Extension
Bangalore 560 071, Ph : +91-80-30912600, Fax : +91-80-2535 6444

| | | | | | | |
|-------------------------------|------------------------------------|------------------------------------|------------------------------------|--------------|--|--------|
| Drawn by: Mistral Design Team | Approved by: Mistral Approval Team | Date: Monday, May 31, 2010 | Date: Wednesday, November 02, 2011 | Size: Custom | Document Number: MS_TI_DM814x_BB_REV01_SCH | Rev: D |
| Design file path: | | Date: Wednesday, November 02, 2011 | Sheet: 27 | of 44 | | |

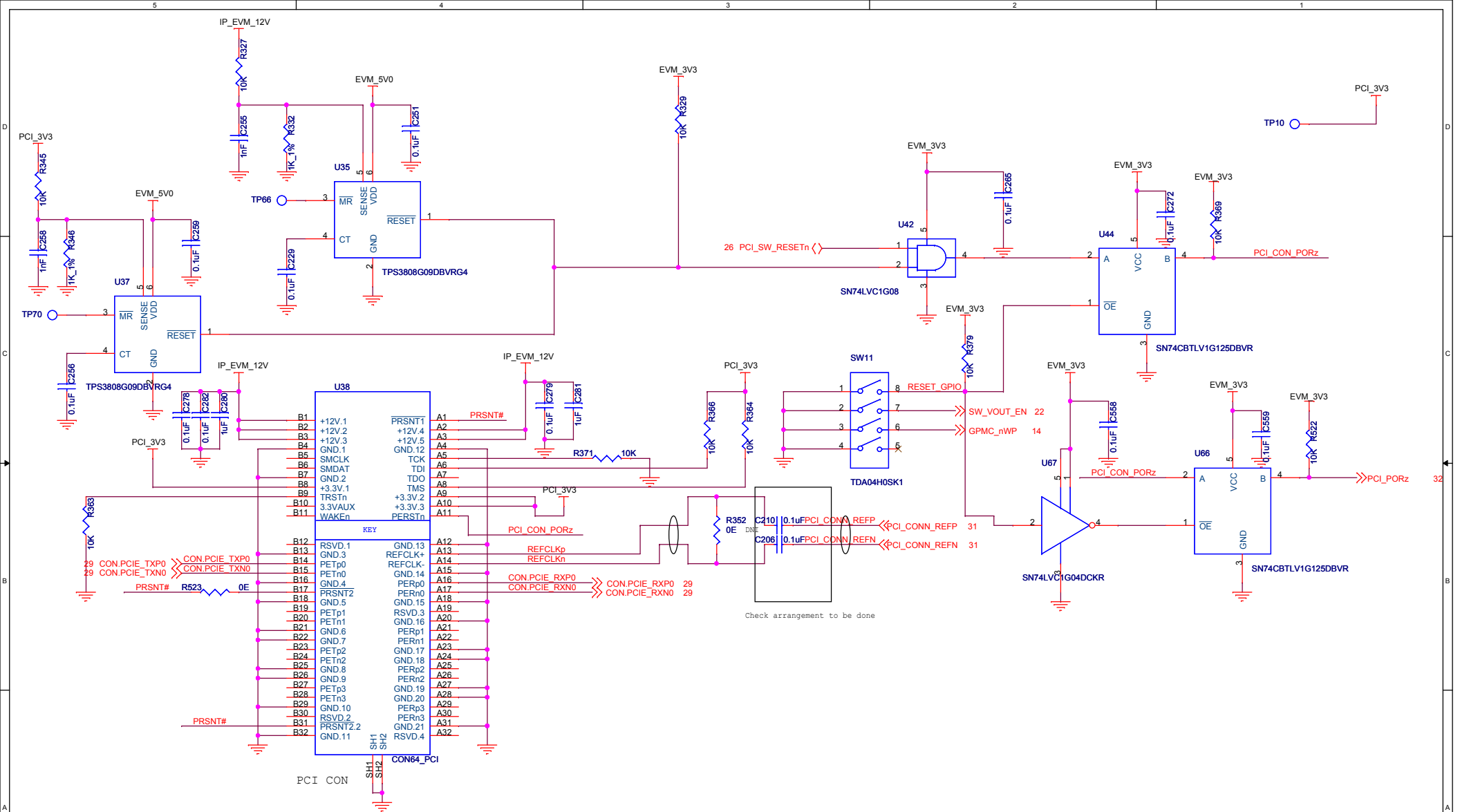


| REV NO. | NATURE OF CHANGE | APPROVED BY | DATE | Mistral Solutions [P] Ltd. | | Title | USB INTERFACE | |
|---------|------------------|-------------|------|---|--|--|----------------|--|
| | | | | Mistral Solutions [P] Ltd. #60 Adarsh regent, 100 Feet Ring Road, Domlur Extension Bangalore 560 071, Ph : +91-80-30912600, Fax : +91-80-2535 6444 | | | | |
| | | | | Drawn by: Mistral Design Team Date: Monday, May 31, 2010 | Approved by: Mistral Approval Team Date: Wednesday, November 02, 2011 | Size: B Document Number: MS_TI_DM814x_BB_REVd_SCH | Rev: D | |
| | | | | Design file path: | | Date: Wednesday, November 02, 2011 | Sheet 28 of 44 | |

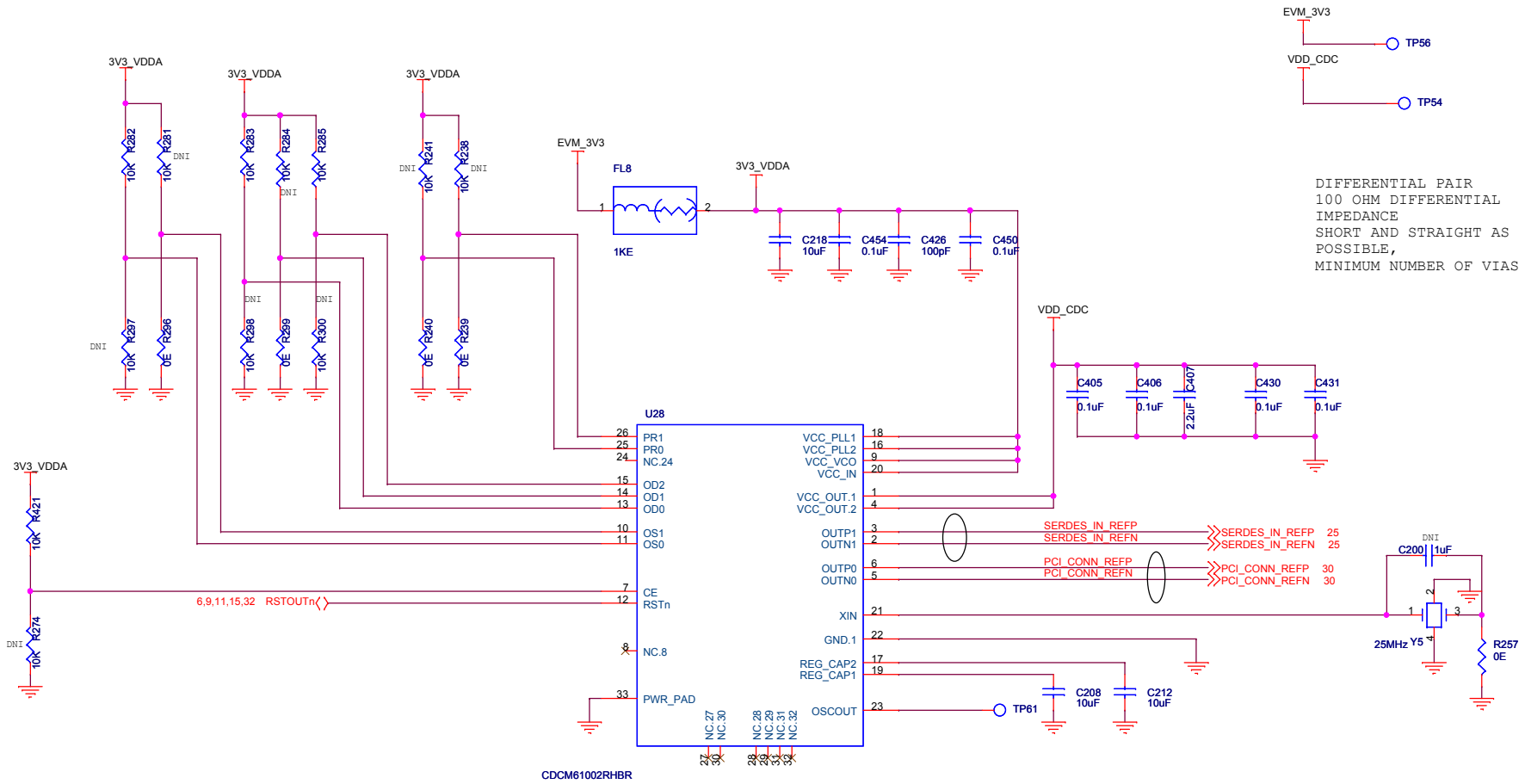


EMU0,1,2,3,4 SHOULD MATCH THE TRACE LENGTH TO REDUCE SKEW...

| REV NO. | NATURE OF CHANGE | APPROVED BY | DATE | Mistral Solutions [P] Ltd. MISTRAL #60 Adarsh regent,100 Feet Ring Road, Domlur Extension Bangalore 560 071, Ph : +91-80-30912600, Fax :+91-80-2535 6444 | | Title | DM814x_PcIe-JTAG | |
|---------|------------------|-------------|------|--|------------------------------------|------------------------------------|--------------------------|----------|
| | | | | Drawn by: Mistral Design Team | Approved by: Mistral Approval Team | Size | Document Number | |
| | | | | Date: Monday, May 31, 2010 | Date: Wednesday, November 02, 2011 | B | MS_TI_DM814x_BB_REVd_SCH | |
| | | | | Design file path: | | Date: Wednesday, November 02, 2011 | Sheet | 29 of 44 |

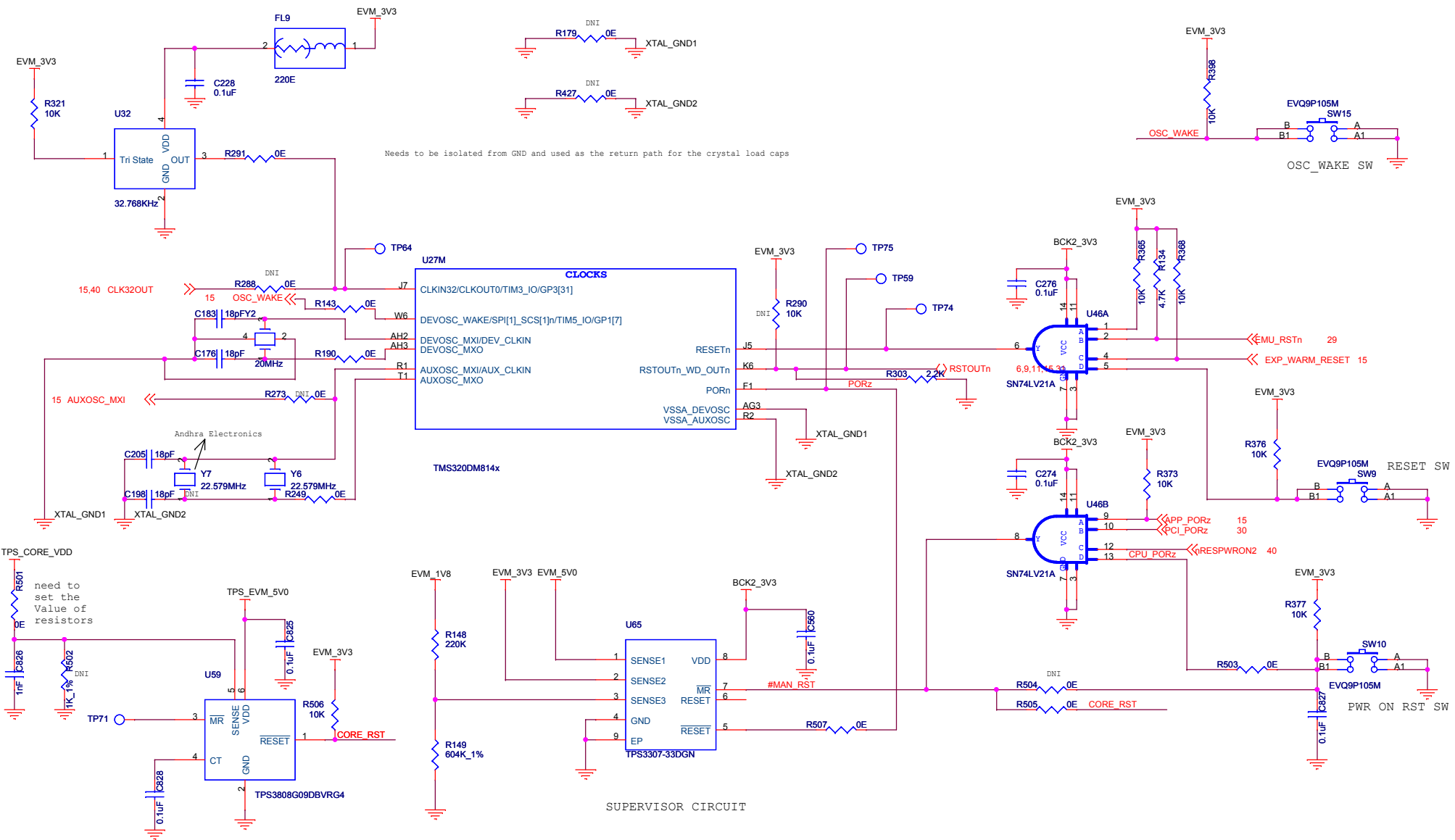


| REV NO. | NATURE OF CHANGE | APPROVED BY | DATE | Mistral Solutions [P] Ltd. | | Title | PCIe CONNECTOR | |
|---------|------------------|-------------|------|---|--|--|----------------|--|
| | | | | Mistral Solutions [P] Ltd. #60 Adarsh regent, 100 Feet Ring Road, Domlur Extension Bangalore 560 071, Ph : +91-80-30912600, Fax : +91-80-2535 6444 | | | | |
| | | | | Drawn by: Mistral Design Team Date: Monday, May 31, 2010 | Approved by: Mistral Approval Team Date: Wednesday, November 02, 2011 | Size: B Document Number: MS_TI_DM814x_BB_REVd_SCH | Rev: D | |
| | | | | Design file path: | | Date: Wednesday, November 02, 2011 | Sheet 30 of 44 | |



CDCM61002RHBR

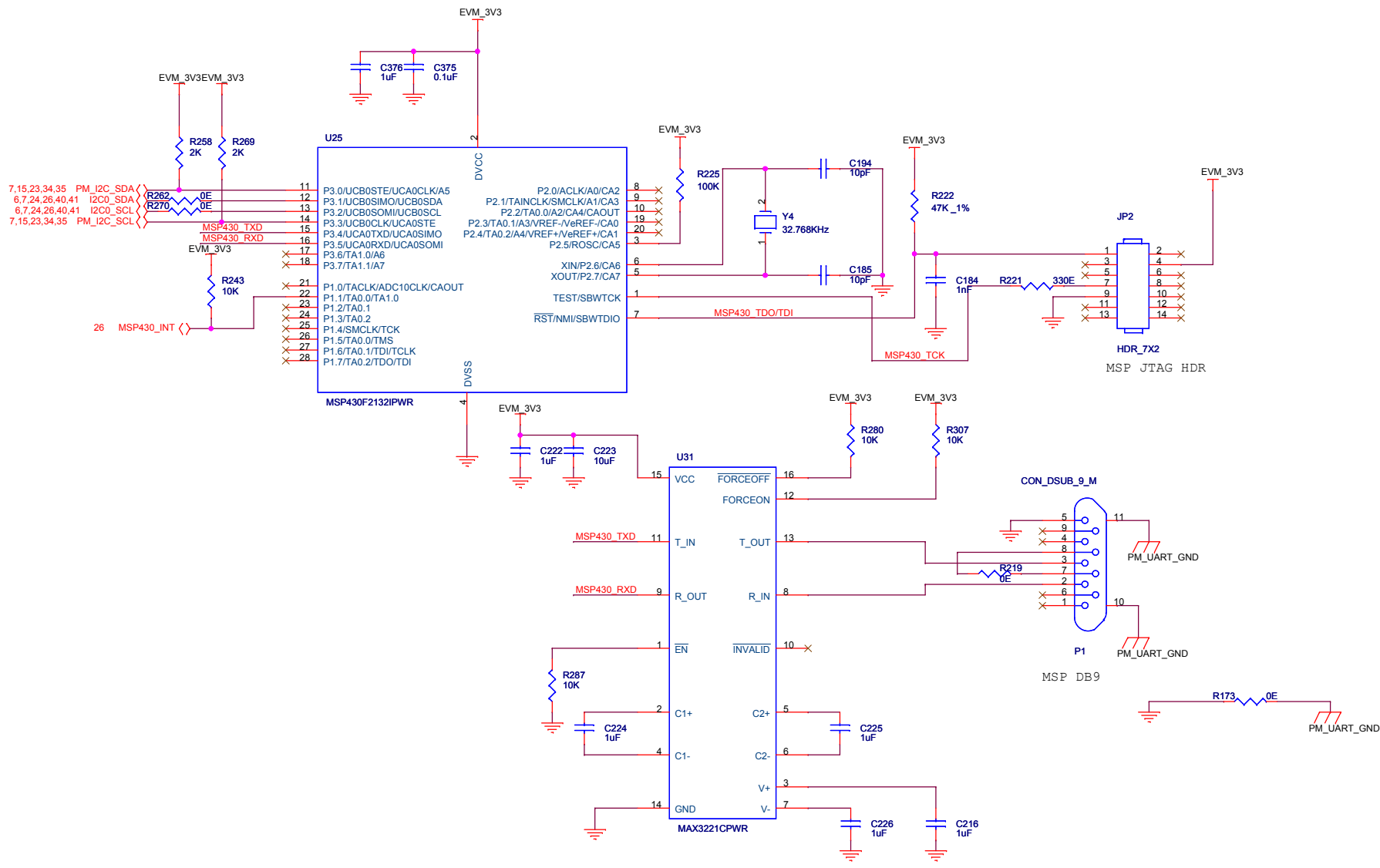
| REV NO. | NATURE OF CHANGE | APPROVED BY | DATE | Mistral Solutions [P] Ltd. MISTRAL #60 Adarsh regent,100 Feet Ring Road, Domlur Extension Bangalore 560 071, Ph : +91-80-30912600, Fax :+91-80-2535 6444 | | Title | SERDES CLOCKS | |
|---------|------------------|-------------|------|--|------------------------------------|-------|------------------------------|----------------|
| | | | | Drawn by: Mistral Design Team | Approved by: Mistral Approval Team | Size | Document Number | |
| | | | | Date: Monday, May 31, 2010 | Date: Wednesday, November 02, 2011 | B | MS_TI_DM814x_BB_REV D_SCH | |
| | | | | Design file path: | | Date: | Wednesday, November 02, 2011 | Sheet 31 of 44 |



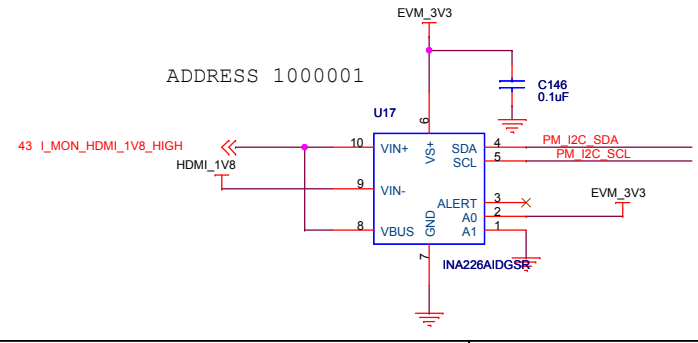
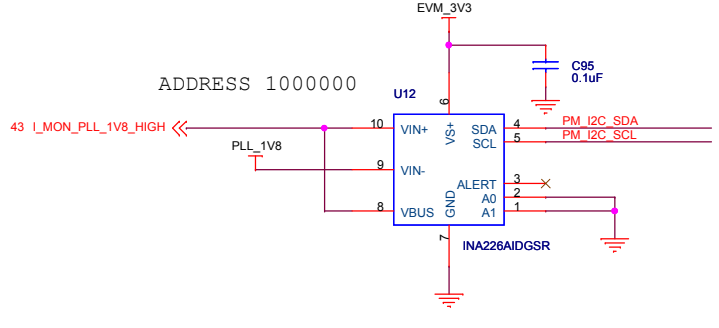
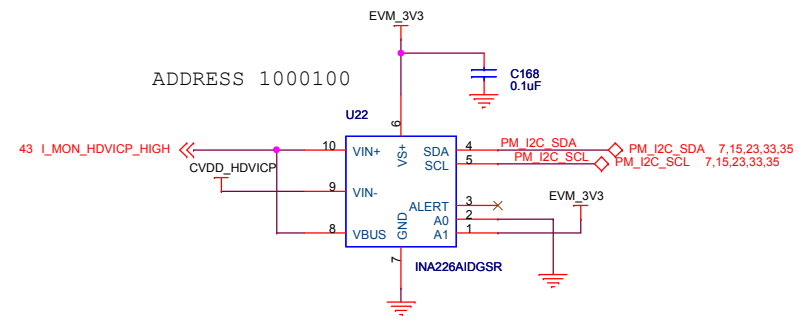
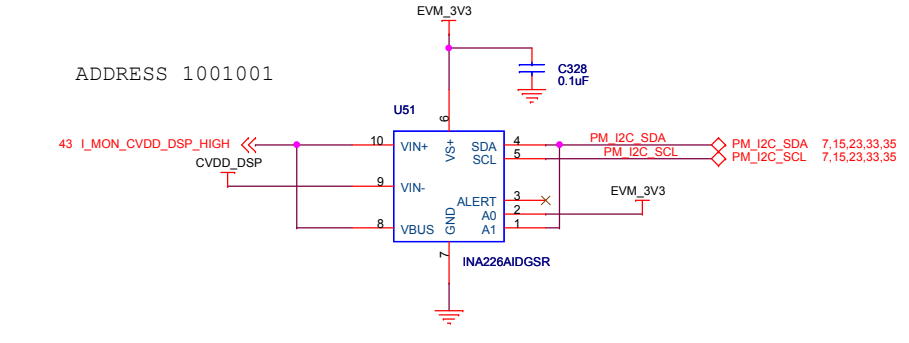
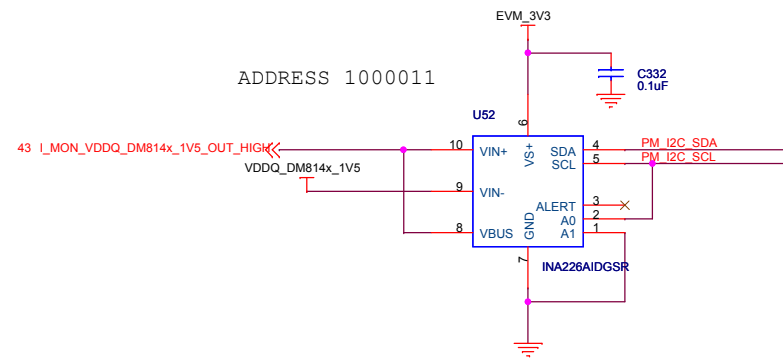
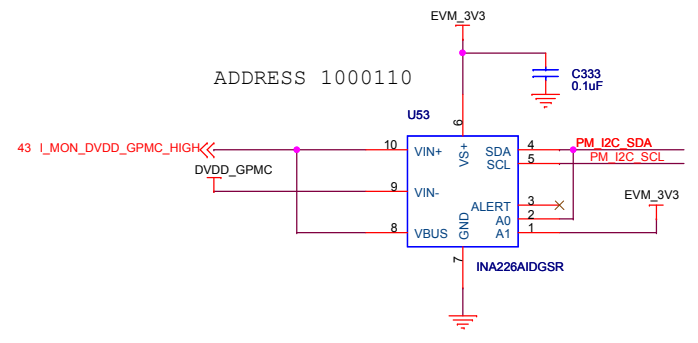
Needs to be isolated from GND and used as the return path for the crystal load caps

SUPERVISOR CIRCUIT

| REV NO. | NATURE OF CHANGE | APPROVED BY | DATE | Mistral Solutions [P] Ltd. MISTRAL #60 Adarsh regent,100 Feet Ring Road, Domlur Extension Bangalore 560 071, Ph : +91-80-30912600, Fax :+91-80-2535 6444 | | Title | DM814x_CLOCKS | |
|---------|------------------|-------------|------|--|------------------------------------|-------|------------------------------|----------------|
| | | | | Drawn by: Mistral Design Team | Approved by: Mistral Approval Team | Size | Document Number | |
| | | | | Date: Monday, May 31, 2010 | Date: Wednesday, November 02, 2011 | B | MS_TI_DM814x_BB_REVd_SCH | |
| | | | | Design file path: | | Date: | Wednesday, November 02, 2011 | Sheet 32 of 44 |



| REV NO. | NATURE OF CHANGE | APPROVED BY | DATE | Mistral Solutions [P] Ltd. | | Title | POWER MONITOR CPU | |
|---------|------------------|-------------|------|---|--|---|-------------------|--|
| | | | | Mistral Solutions [P] Ltd. #60 Adarsh regent, 100 Feet Ring Road, Domlur Extension Bangalore 560 071, Ph : +91-80-30912600, Fax : +91-80-2535 6444 | | | | |
| | | | | Drawn by: Mistral Design Team Date: Monday, May 31, 2010 | Approved by: Mistral Approval Team Date: Wednesday, November 02, 2011 | Size: B Document Number: MS_TI_DM814x_BB_REV_D_SCH | Rev: D | |
| | | | | Design file path: | | Date: Wednesday, November 02, 2011 | Sheet 33 of 44 | |



| REV NO. | NATURE OF CHANGE | APPROVED BY | DATE |
|---------|------------------|-------------|------|
| | | | |
| | | | |
| | | | |

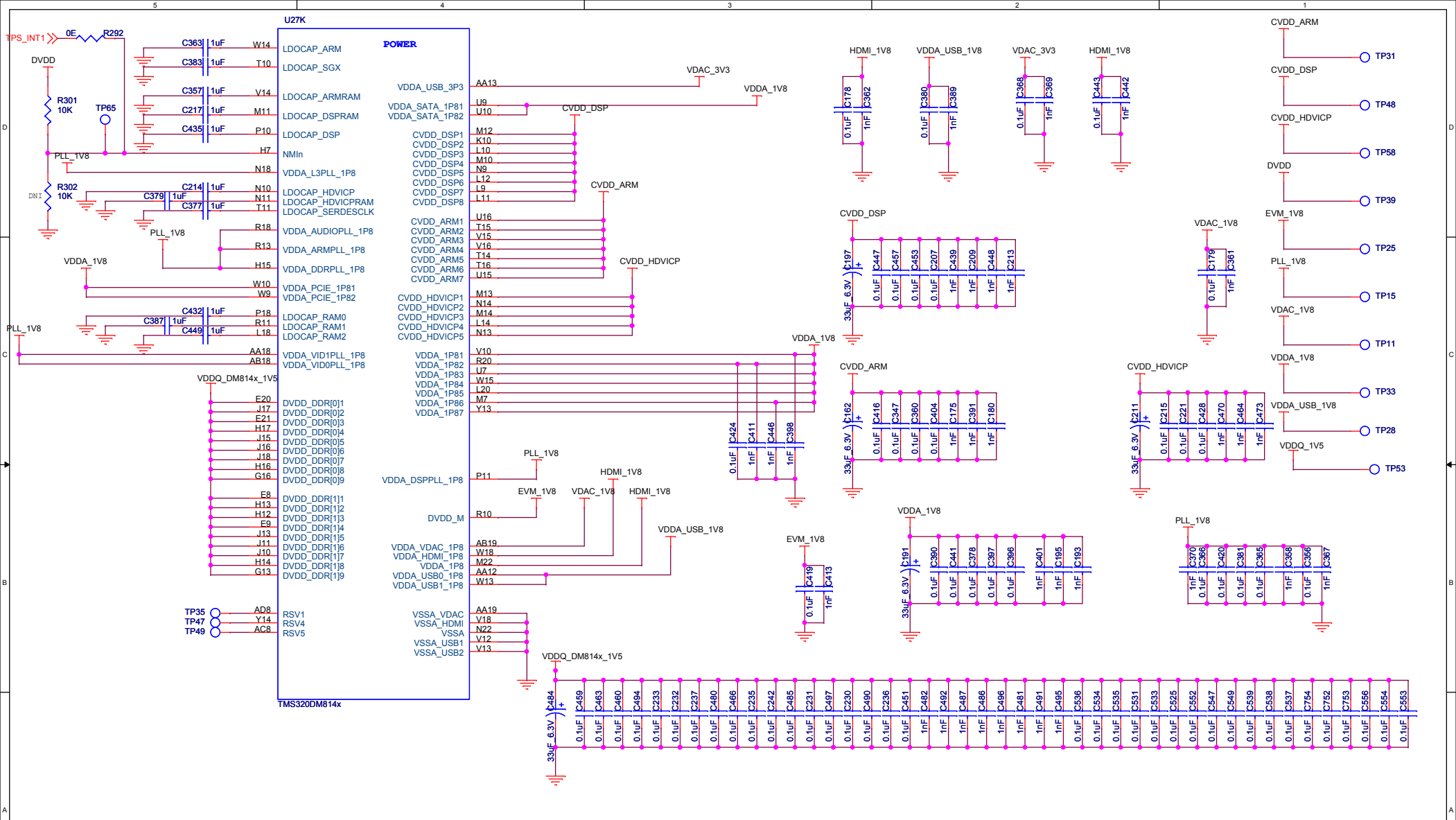
Mistral Solutions [P] Ltd.
 #60 Adarsh regent, 100 Feet Ring Road, Domlur Extension
 Bangalore 560 071, Ph : +91-80-30912600, Fax : +91-80-2535 6444

Drawn by: Mistral Design Team
 Date: Monday, May 31, 2010

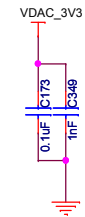
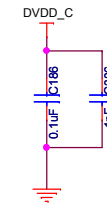
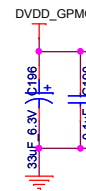
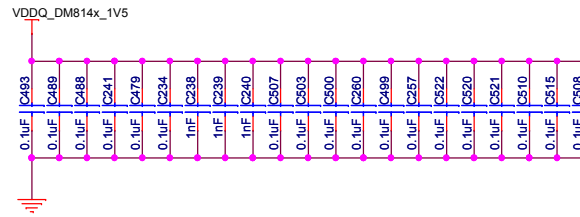
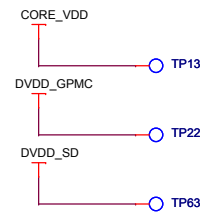
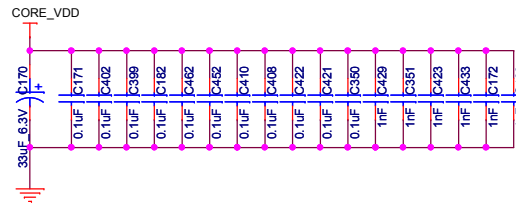
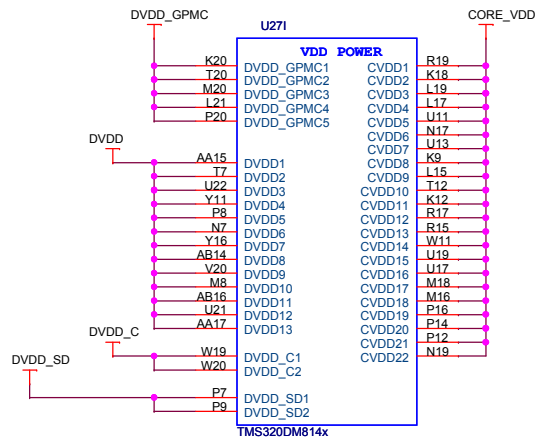
Approved by: Mistral Approval Team
 Date: Wednesday, November 02, 2011

Design file path:

| Title | Document Number | Rev |
|------------------------------------|---------------------------|-----|
| POWER MONITORS-1 | MS_TI_DM814x_BB_REV_D_SCH | D |
| Date: Wednesday, November 02, 2011 | Sheet 34 of 44 | |

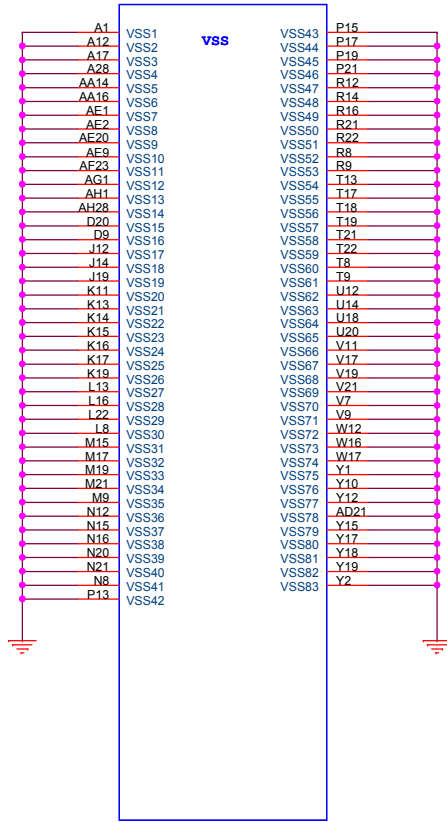


| REV NO. | NATURE OF CHANGE | APPROVED BY | DATE | Mistral Solutions [P] Ltd. | | Title | DM814x_POWER | |
|-------------------|------------------|-------------|------|---|--|---|--|---|
| | | | | Mistral Solutions [P] Ltd. #60 Adarsh regent, 100 Feet Ring Road, Domlur Extension Bangalore 560 071, Ph : +91-80-30912600, Fax : +91-80-2535 6444 | | | | |
| | | | | | | Drawn by: Mistral Design Team Date: Monday, May 31, 2010 | Approved by: Mistral Approval Team Date: Wednesday, November 02, 2011 | Size: B Document Number: MS_TI_DM814x_BB_REV02_SCH |
| Design file path: | | | | | | Date: Wednesday, November 02, 2011 | Sheet 36 of 44 | |




| REV NO. | NATURE OF CHANGE | APPROVED BY | DATE | Mistral Solutions [P] Ltd. #60 Adarsh regent, 100 Feet Ring Road, Domlur Extension Bangalore 560 071, Ph : +91-80-30912600, Fax : +91-80-2535 6444 | | Title | DM814x_VDD | |
|---------|------------------|-------------|------|--|------------------------------------|-------|------------------------------|----------------|
| | | | | Drawn by: Mistral Design Team | Approved by: Mistral Approval Team | Size | Document Number | |
| | | | | Date: Monday, May 31, 2010 | Date: Wednesday, November 02, 2011 | B | MS_TI_DM814x_BB_REV_D_SCH | |
| | | | | Design file path: | | Date: | Wednesday, November 02, 2011 | Sheet 37 of 44 |

U27J



TMS320DM814x

| REV NO. | NATURE OF CHANGE | APPROVED BY | DATE |  Mistral Solutions [P] Ltd. #60 Adarsh regent,100 Feet Ring Road, Domlur Extension Bangalore 560 071, Ph : +91-80-30912600, Fax :+91-80-2535 6444 | | Title | DM814x_VSS | |
|---------|------------------|-------------|------|--|--|-------|------------------------------|----------------|
| | | | | Drawn by: Mistral Design Team Date: Monday, May 31, 2010 | Approved by: Mistral Approval Team Date: Wednesday, November 02, 2011 | Size | Document Number | Rev |
| | | | | Design file path: | | B | MS_TI_DM814x_BB_REVD_SCH | D |
| | | | | | | Date: | Wednesday, November 02, 2011 | Sheet 38 of 44 |

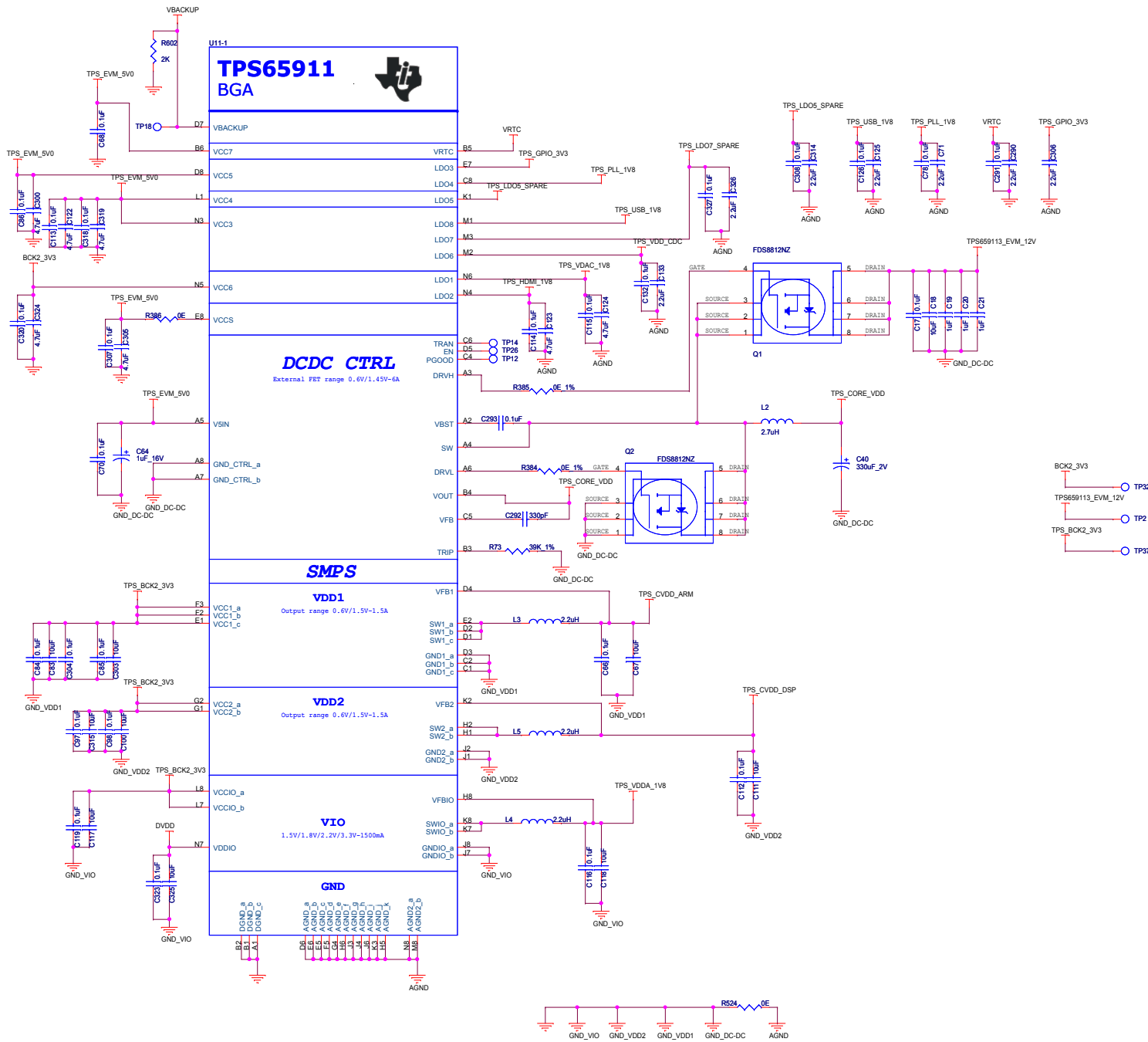
5

4

3

2

1



| REV.NO. | NATURE OF CHANGE | APPROVED BY | DATE |
|---------|------------------|-------------|------|
| | | | |
| | | | |
| | | | |

Mistral Solutions [P] Ltd.
#60 Adarsh regent, 100 Feet Ring Road, Domlur Extension
Bangalore 560 071, Ph : +91-80-30912600, Fax : +91-80-2535 6444

Drawn by: Mistral Design Team
Date: Monday, May 31, 2010

Approved by: Mistral Approval Team
Date: Wednesday, November 02, 2011

Date: Wednesday, November 02, 2011

Title: TPS65911-A

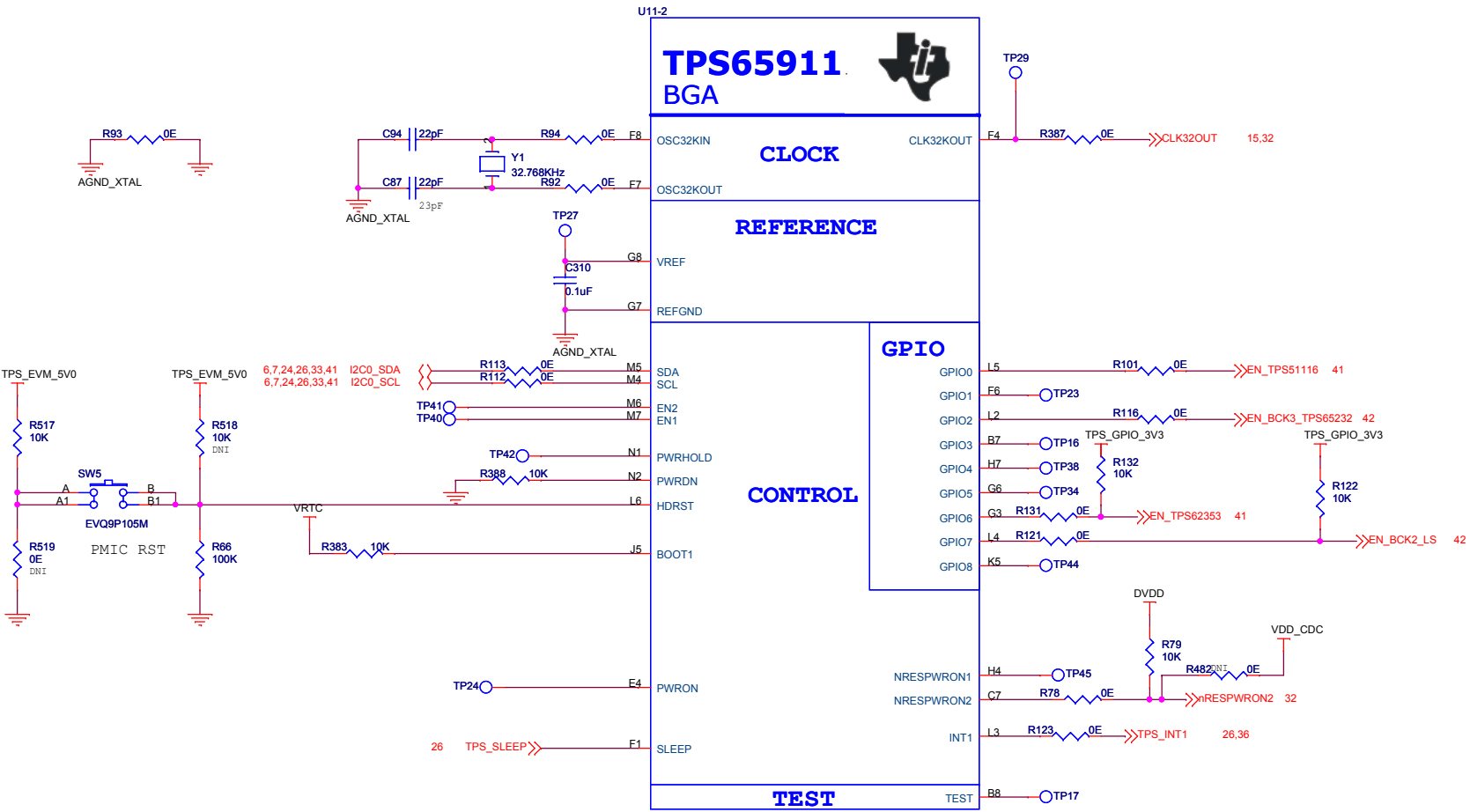
Document Number: MS_TL_DM814x_B8_REV0_SCH

Size: C

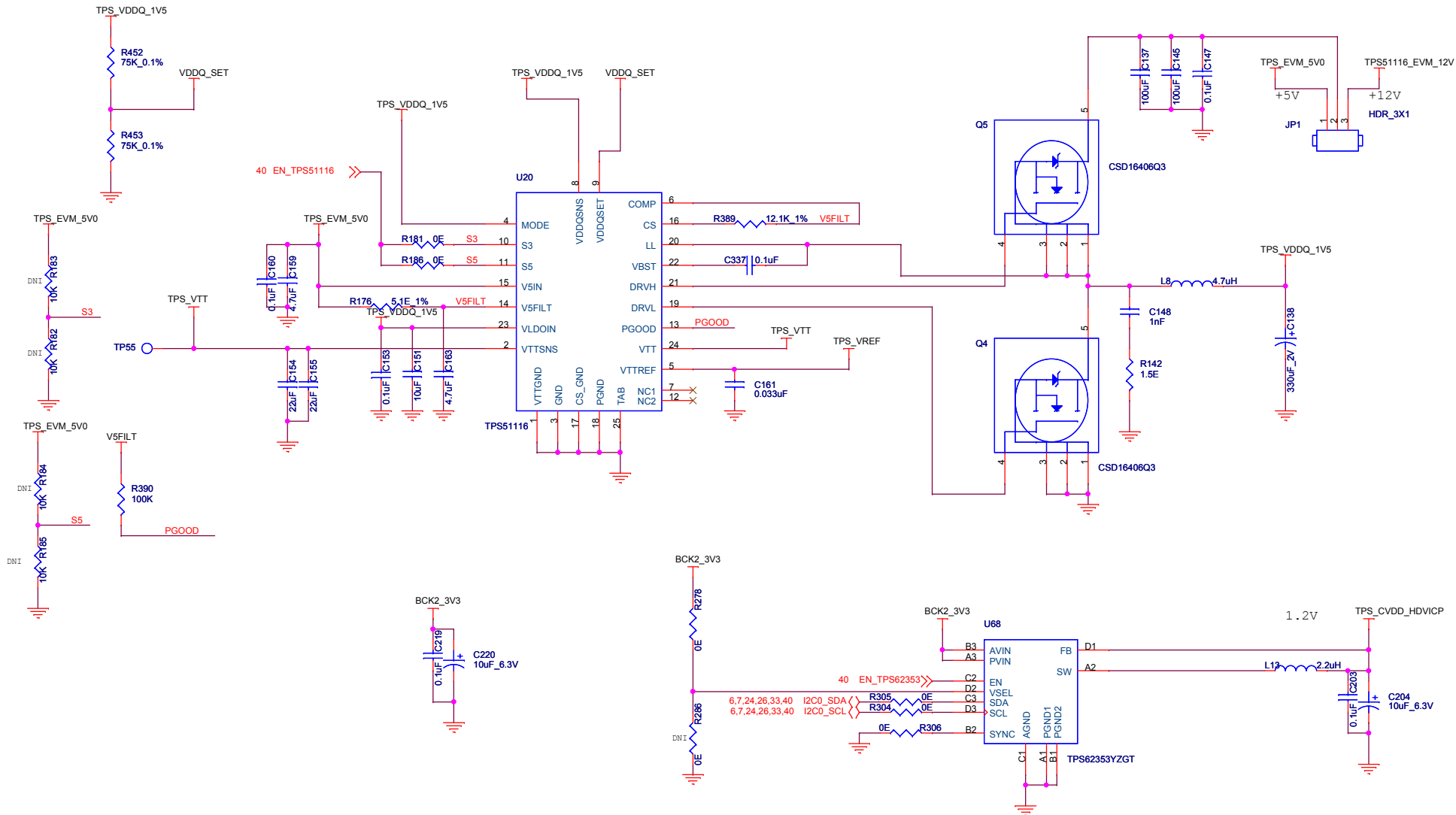
Sheet: 39 of 44

Rev

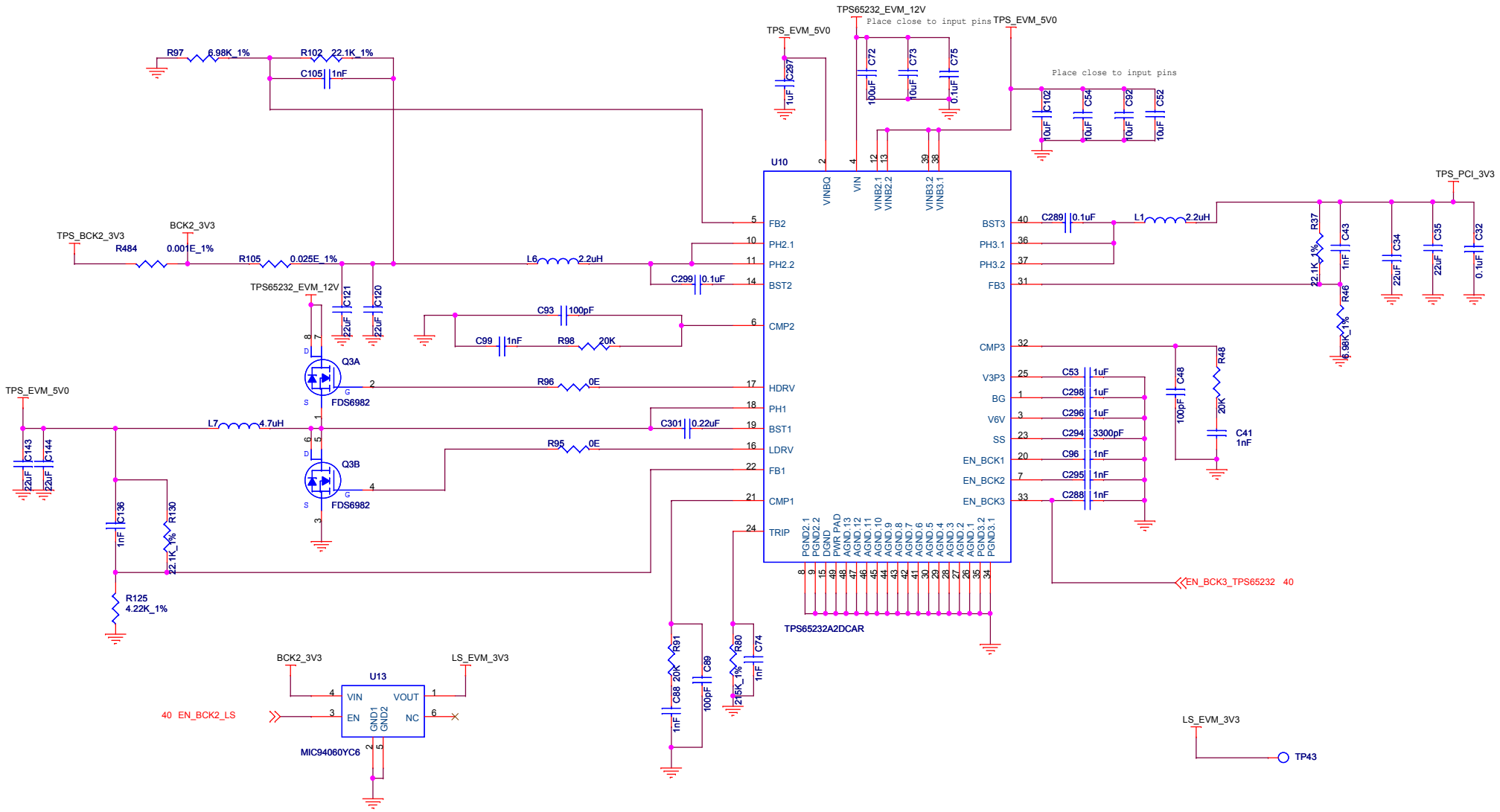
D



| REV NO. | NATURE OF CHANGE | APPROVED BY | DATE | Mistral Solutions [P] Ltd. MISTRAL #60 Adarsh regent, 100 Feet Ring Road, Domlur Extension Bangalore 560 071, Ph : +91-80-30912600, Fax : +91-80-2535 6444 | | Title | TPS659113-B | |
|---------|------------------|-------------|------|--|------------------------------------|-------|------------------------------|----------------|
| | | | | Drawn by: Mistral Design Team | Approved by: Mistral Approval Team | Size | Document Number | |
| | | | | Date: Monday, May 31, 2010 | Date: Wednesday, November 02, 2011 | B | MS_TI_DM814x_BB_REVD_SCH | |
| | | | | Design file path: | | Date: | Wednesday, November 02, 2011 | Sheet 40 of 44 |



| REV NO. | NATURE OF CHANGE | APPROVED BY | DATE | Mistral Solutions [P] Ltd. | | Title | TPS51116 | |
|---------|------------------|-------------|------|---|--|---|----------------|--|
| | | | | Mistral Solutions [P] Ltd. #60 Adarsh regent, 100 Feet Ring Road, Domlur Extension Bangalore 560 071, Ph : +91-80-30912600, Fax : +91-80-2535 6444 | | | | |
| | | | | Drawn by: Mistral Design Team Date: Monday, May 31, 2010 | Approved by: Mistral Approval Team Date: Wednesday, November 02, 2011 | Size: B Document Number: MS_TI_DM814x_BB_REV D_SCH | Rev: D | |
| | | | | Design file path: | | Date: Wednesday, November 02, 2011 | Sheet 41 of 44 | |

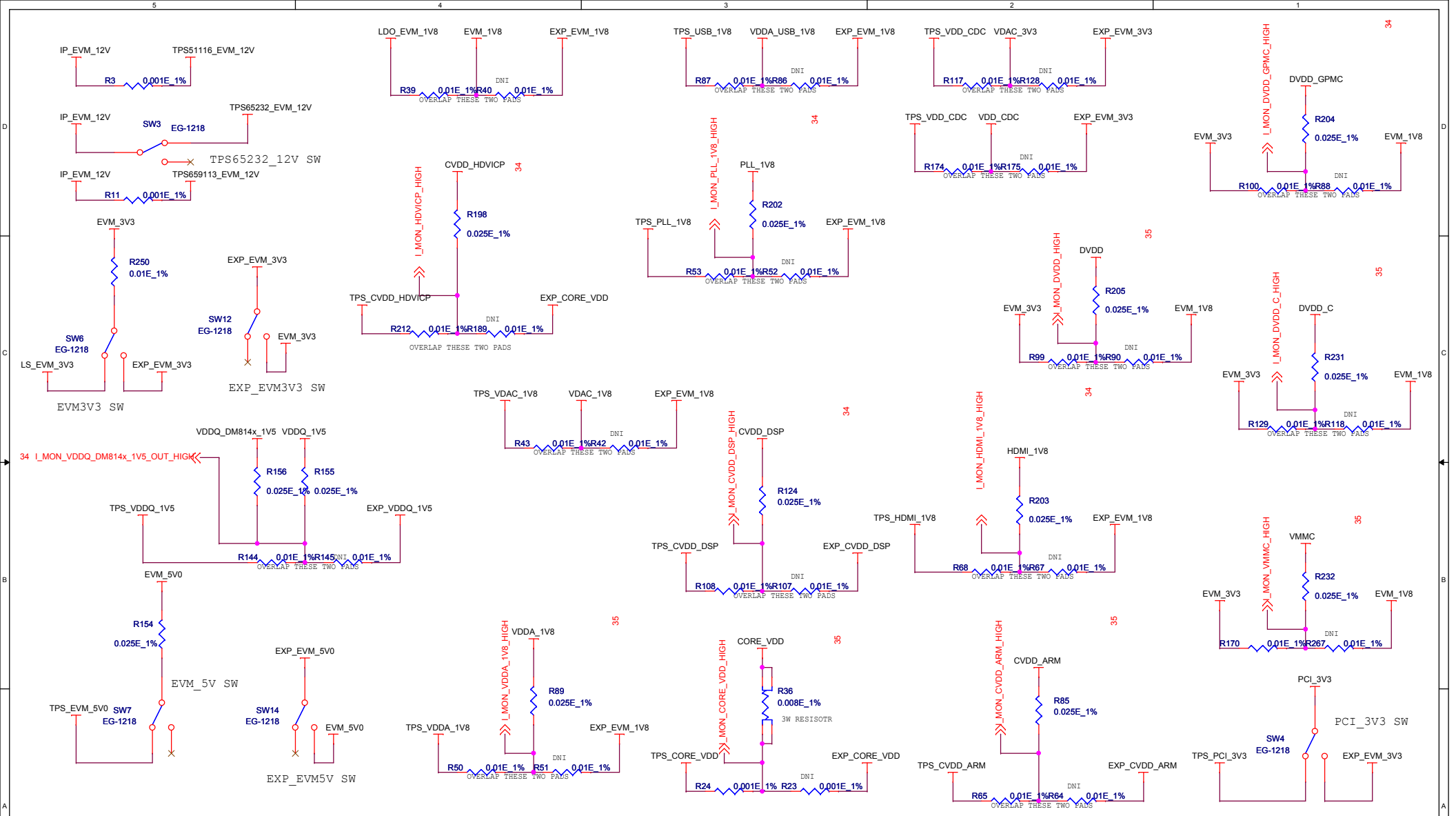



| REV NO. | NATURE OF CHANGE | APPROVED BY | DATE |
|---------|------------------|-------------|------|
| | | | |
| | | | |
| | | | |

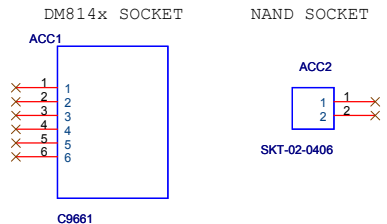
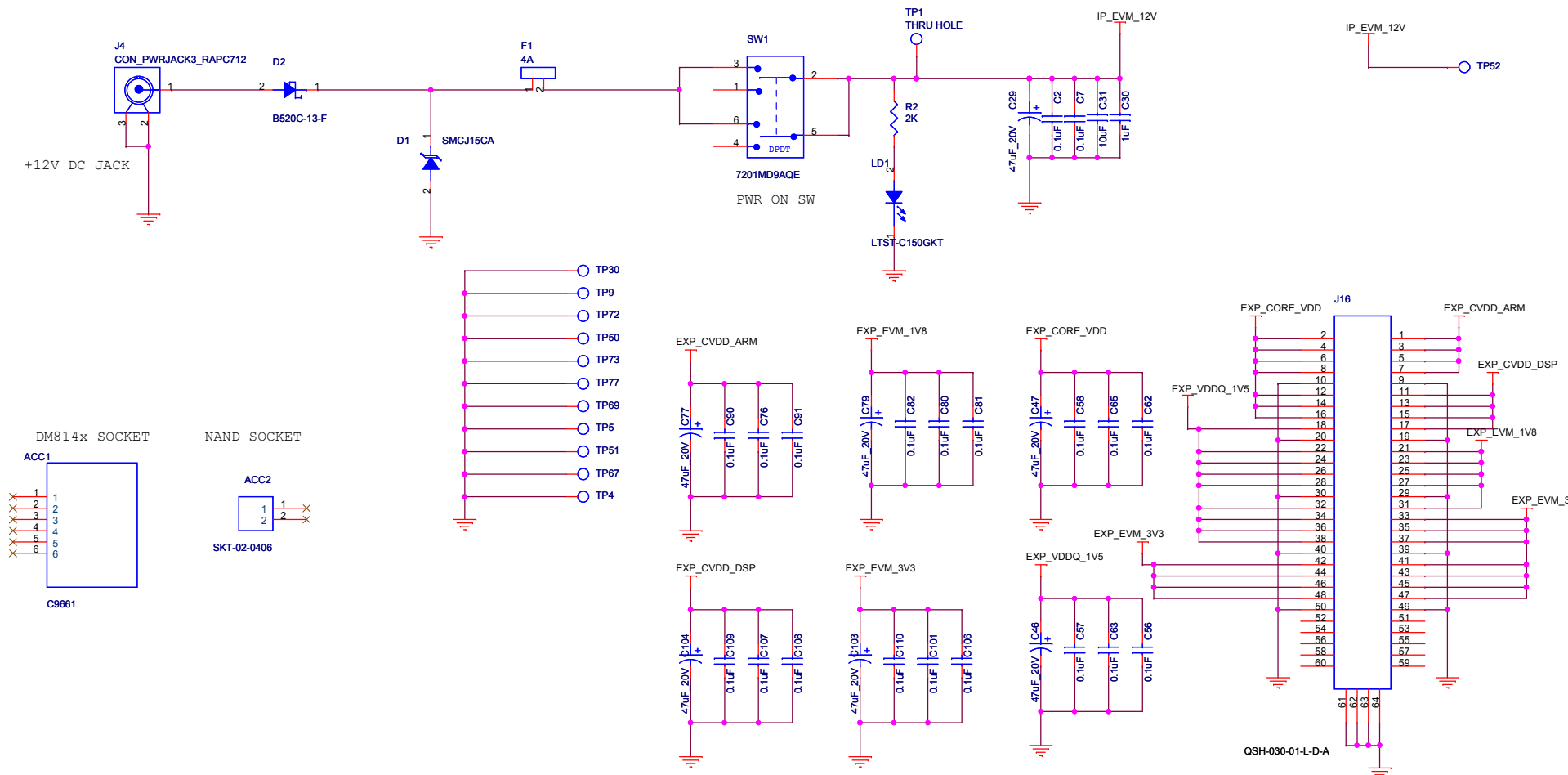
Mistral Solutions [P] Ltd.
MISTRAL
 #60 Adarsh regent, 100 Feet Ring Road, Domlur Extension
 Bangalore 560 071, Ph : +91-80-30912600, Fax : +91-80-2535 6444

Drawn by: Mistral Design Team Approved by: Mistral Approval Team
 Date: Monday, May 31, 2010 Date: Wednesday, November 02, 2011
 Design file path:

| | | |
|-------|------------------------------|----------------|
| Title | TPS65232 | |
| Size | Document Number | Rev |
| B | MS_TI_DM814x_BB_REV_D_SCH | D |
| Date: | Wednesday, November 02, 2011 | Sheet 42 of 44 |



| REV NO. | NATURE OF CHANGE | APPROVED BY | DATE | Mistral Solutions [P] Ltd. | | Title | POWER SELECTION | |
|---------|------------------|-------------|------|--|--|---|---|--------|
| | | | |  Mistral Solutions [P] Ltd. #60 Adarsh regent, 100 Feet Ring Road, Domlur Extension Bangalore 560 071, Ph : +91-80-30912600, Fax : +91-80-2535 6444 | | | | |
| | | | | Drawn by: Mistral Design Team Date: Monday, May 31, 2010 | Approved by: Mistral Approval Team Date: Wednesday, November 02, 2011 | Size: B Date: Wednesday, November 02, 2011 | Document Number: MS_TI_DM814x_BB_REV_D_SCH Sheet: 43 of 44 | Rev: D |



| REV NO. | NATURE OF CHANGE | APPROVED BY | DATE | Mistral Solutions [P] Ltd. | | Title | POWER IN | |
|---------|------------------|-------------|------|--|--|---|----------------|--|
| | | | | MISTRAL #60 Adarsh regent, 100 Feet Ring Road, Domlur Extension Bangalore 560 071, Ph : +91-80-30912600, Fax : +91-80-2535 6444 | | | | |
| | | | | Drawn by: Mistral Design Team Date: Monday, May 31, 2010 | Approved by: Mistral Approval Team Date: Wednesday, November 02, 2011 | Size: B Document Number: MS_TI_DM814x_BB_REV02_SCH | Rev: D | |
| | | | | Design file path: | | Date: Wednesday, November 02, 2011 | Sheet 44 of 44 | |