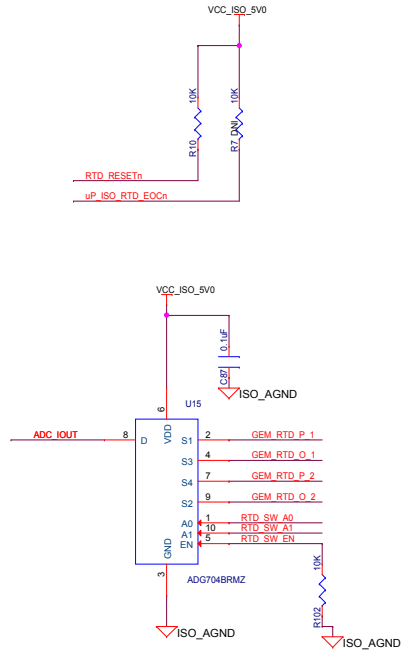
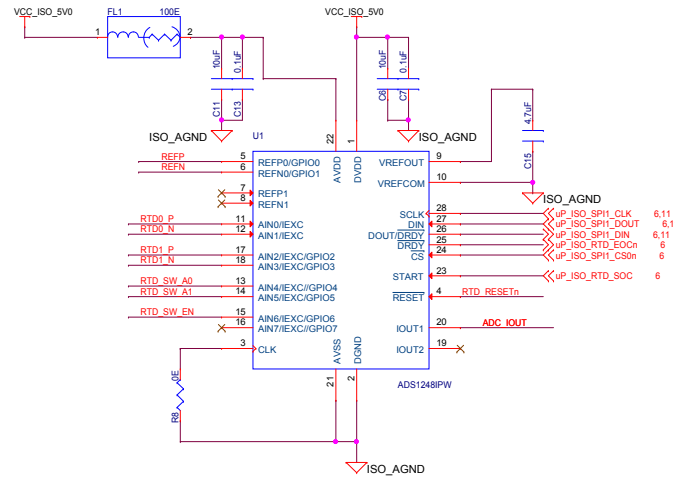
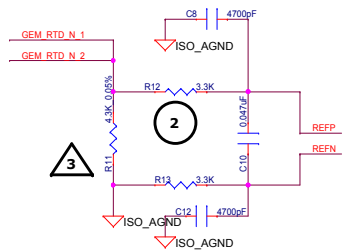
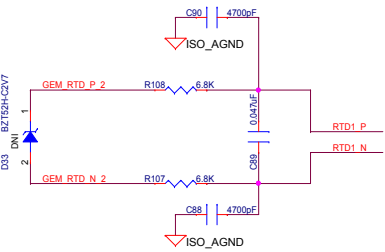
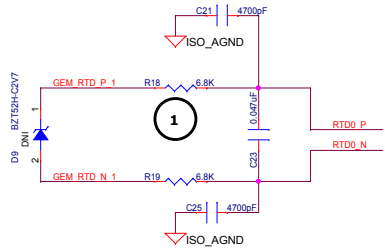


- 5 GEM\_RTD\_P\_1 >>>
- 5 GEM\_RTD\_N\_1 >>>
- 5 GEM\_RTD\_O\_1 >>>
- 5 GEM\_RTD\_P\_2 >>>
- 5 GEM\_RTD\_N\_2 >>>
- 5 GEM\_RTD\_O\_2 >>>



### RTD Measurement Circuit

REV NO.	NATURE OF CHANGE	APPROVED BY	DATE	Mistral Solutions [P] Ltd.		Title	
				<b>Mistral Solutions [P] Ltd.</b> #60 Adarsh regent, 100 Feet Ring Road, Domlur Extension Bangalore 560 071, Ph : +91-80-30912600, Fax : +91-80-2535 6444		RTD	
						Drawn by: Date: Thursday, November 28, 2013	Approved by: Date: Monday, November 17, 2014
				Design file path:		Date: Monday, November 17, 2014	Sheet 8 of 16