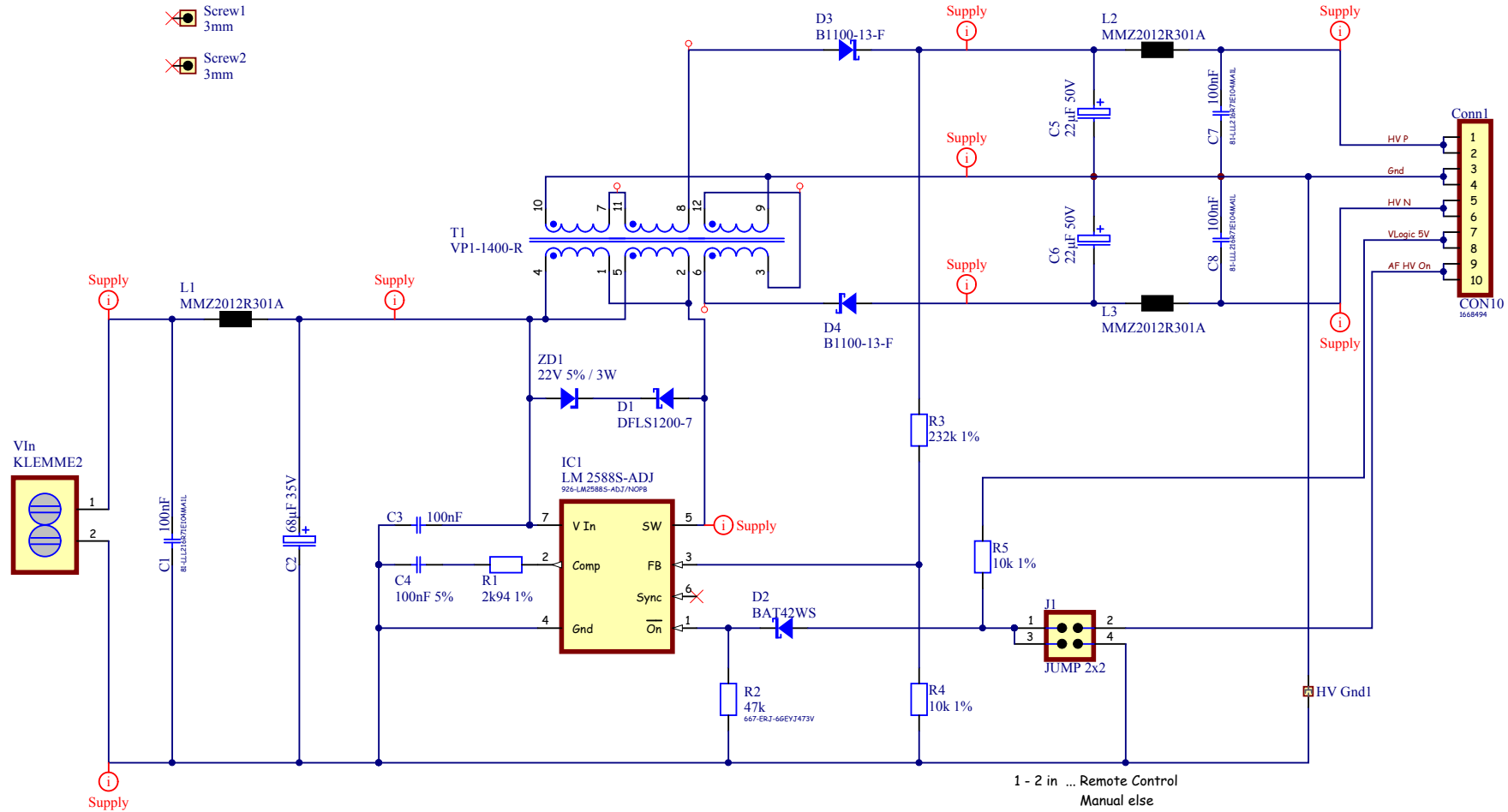


- Screw1 3mm
- Screw2 3mm



1 - 2 in ... Remote Control
Manual else
3 - 4 in ... On
Off else

Title
Power Supply - HV Analog

Sheet 1 of 1

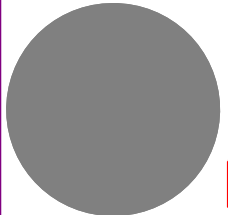
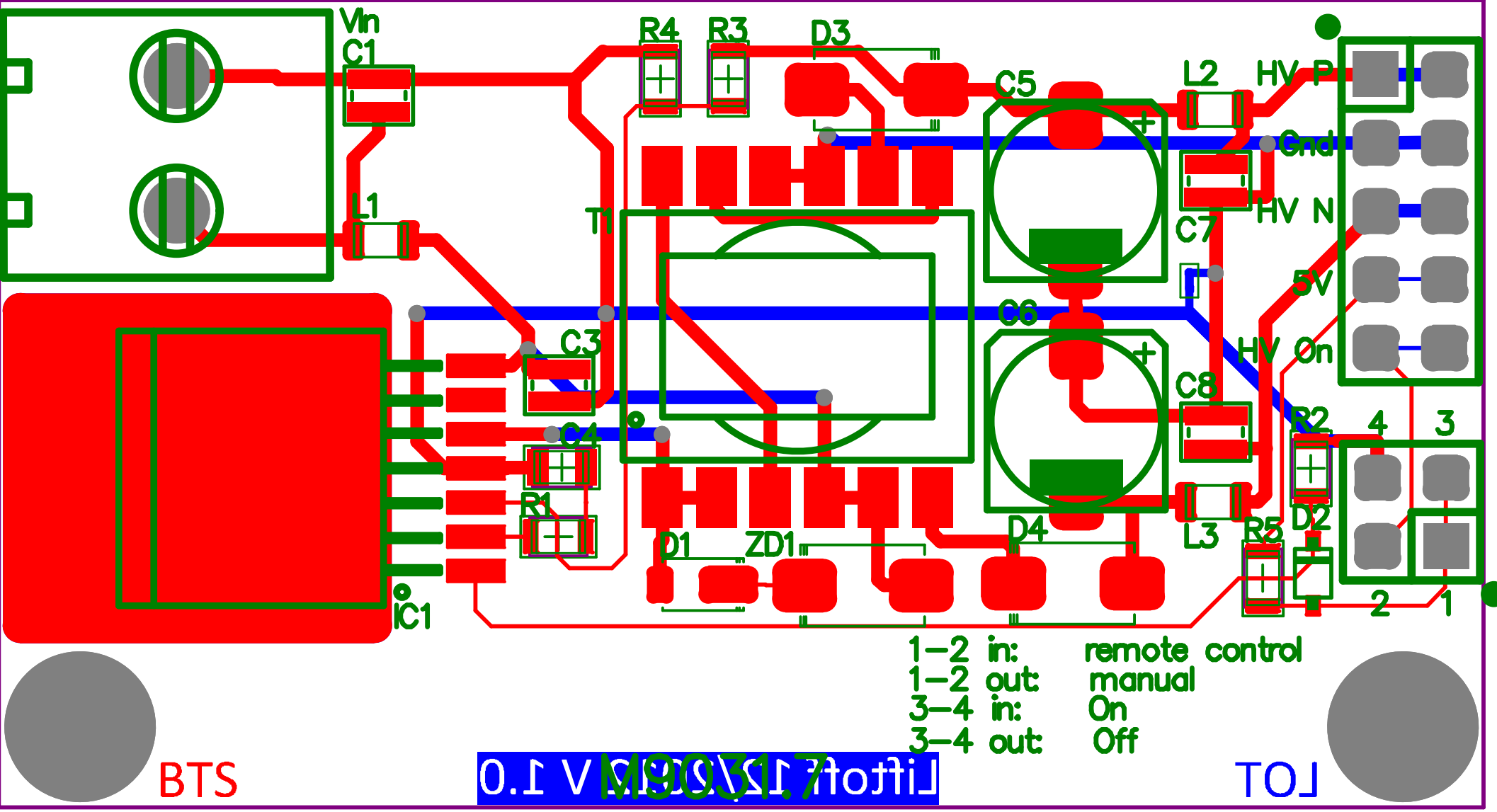
Variant:
Standard
Revision:
V 1.0
File: AF HV Supply.SchDoc

Created by:
DI Gerhard Kreuzer
Checked by:

Number:
M9031.7
Date: 13.12.2012
Time: 17:09:05



Dep.: GeoMonitor
Karlgasse 6
A-3001 Tulbinger Kogel
Austria
Tel: +43 2273 80222
www.lift-off.at



BTS

0.1 V M9031.7

TOJ

1-2 in: remote control
 1-2 out: manual
 3-4 in: On
 3-4 out: Off

Bill of Materials

Power Supply - HV Analog

Source Data From: Dual HV Supply.PrjPCB
 Project: Dual HV Supply.PrjPCB
 Variant: None

Creation Date: 13.12.2012 17:09:13
 Print Date: 13-Dec-12 5:09:17 PM
 Production Quantity: 1
 Currency: <none>

Footprint	Comment	LibRef	Designator	Description	Quantity	Supplier 1	Supplier Part Number 1	Supplier Unit Price 1	Supplier Order Qty 1	Supplier Subtotal 1	Manufacturer 1	Manufacturer Part Number 1
CC1220-0508 (reversed)	100nF	CERCO	C1, C3, C7, C8	Ceramic Capacitor	4	Mouser	81-LLL216R71E104MA1L	0,16	4	0,63	Murata	LLL216R71E104MA01L
FK Serie Size D8 Panasonic - duplicate	68µF 35V	ELKO	C2	Elko	1	Mouser	667-EEH-ZC1V680XP	1,57	1	1,57	Panasonic Electronic Components	EEH-ZC1V680XP
CAPC2012L FK Serie Size D Panasonic CONN10	100nF 5% 22µF 50V	CERCO ELKO	C4 C5, C6	Ceramic Capacitor Elko	1 2	Mouser Mouser	80-C0805C104J8R 667-EEE-FK1H220P	0,16 0,27	1 2	0,16 0,54	Kemet Panasonic Electronic Components	C0805C104J8RACTU EEE-FK1H220P
PowerDI 123 Diode	CON10 DFLS1200-7	CON10 DIODE SCHOTTKY	Conn1 D1	Schottky Diode	1 1	Farnell Mouser	1668494 621-DFLS1200-F	1,61 0,62	1 1	1,61 0,62	SAMTEC Diodes Inc.	TLW-105-05-G-D DFLS1200-7
SOD-323F SMA - Diode	BAT42WS B1100-13-F	BAT42WS DIODE SCHOTTKY	D2 D3, D4	Schottky Diode, Vr=30V, If=100mA, Vf= 0.4 V bis 0.7V Schottky Diode	1 2	Mouser Mouser	833-BAT42WS-TP 621-B1100-F	0,39 0,72	1 2	0,39 1,45	Micro Commercial Components (MCC) Diodes Inc.	BAT42WS-TP B1100-13-F
TO-263-7	LM2588S-ADJ	LM2588	IC1		1	Mouser	926-LM2588S-ADJ/NOPB	8,06	1	8,06	Texas Instruments	LM2588S-ADJ/NOPB
CONN4 0805	JUMP 2x2 MMZ2012R301A	JUMP 2x2 L	J1 L1, L2, L3	Jumper 2x2 Drossel	1 3	Mouser	810-MMZ2012R301A	0,08	3	0,25	TDK	MMZ2012R301A
SMD R 2012 (0805)	2k94 1%	R	R1	Resistor 1/10 Watt	1	Mouser	292-2.94K-RC	0,04	1	0,04	Xicon	292-2.94K-RC
SMD R 2012 (0805)	47k	R	R2	Resistor 1/10 Watt	1	Mouser	667-ERJ-6GEYJ473V	0,06	1	0,06	Panasonic Electronic Components	ERJ-6GEYJ473V
SMD R 2012 (0805)	232k 1%	R	R3	Resistor 1/10 Watt	1	Mouser	292-232K-RC	0,04	1	0,04	Xicon	292-232K-RC
SMD R 2012 (0805)	10k 1%	R	R4, R5	Resistor 1/10 Watt, Resistor 1/10Watt	2	Mouser	292-10K-RC	0,04	2	0,08	Xicon	292-10K-RC
Screw3mm	3mm	Screw	Screw1, Screw2	Screw Hole	2							
Versa-Pac VP1 / VPH1	VP1-1400-R	Versa-Pac	T1	Transformer	1	Mouser	704-VP1-1400-R	5,58	1	5,58	Cooper Bussmann	VP1-1400-R
KLEMME2R5.0 DO-214AC - Diode	KLEMME2 22V 5% / 3W	KLEMME2 ZENER1	Vin ZD1	Schraubklemme 2 fach Zenerdiode	1 1	Mouser	78-BZG03C22	0,2	1	0,2	Vishay Semiconductors	BZG03C22TR
					28					\$ -		

Approved _____ Notes _____