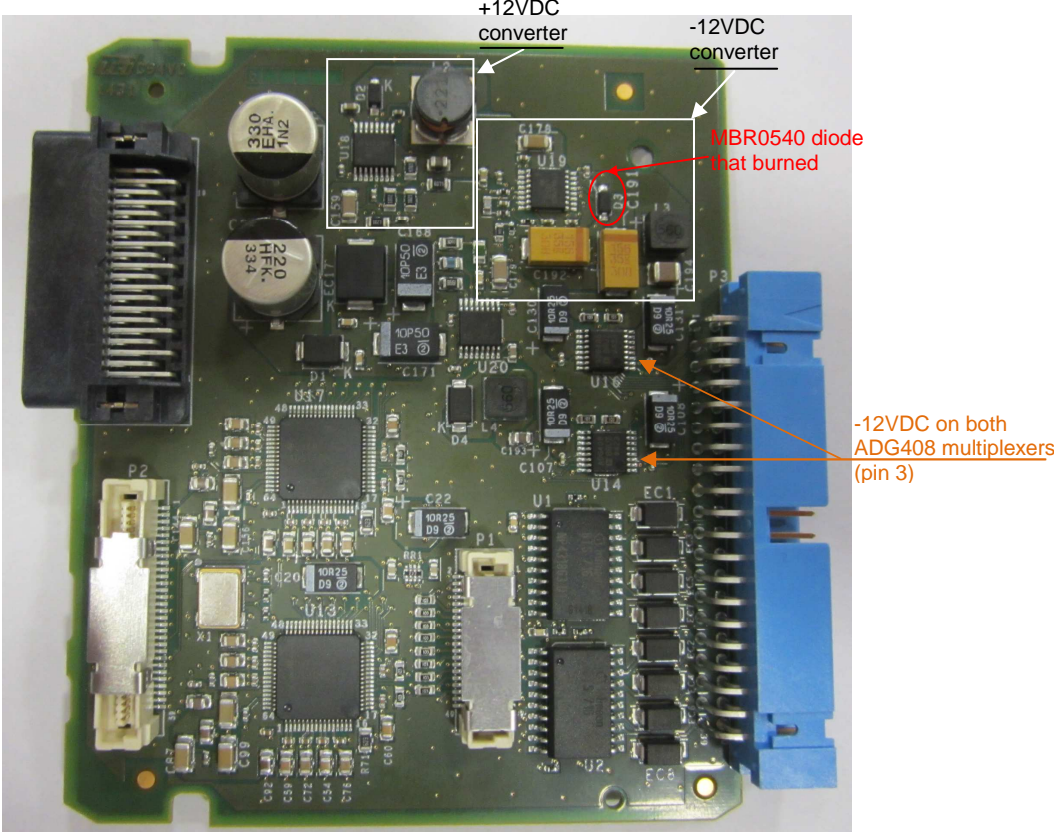
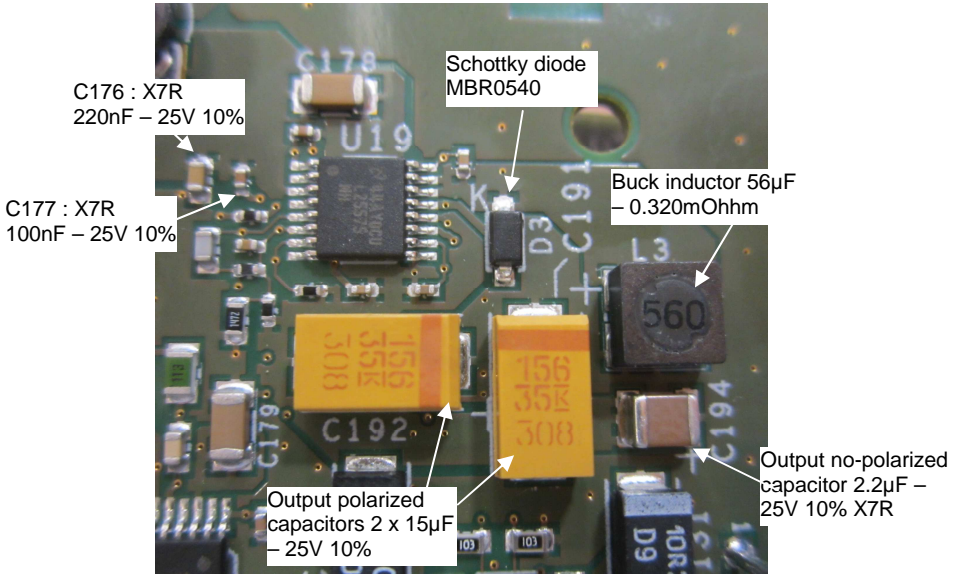


PCBA presentation:

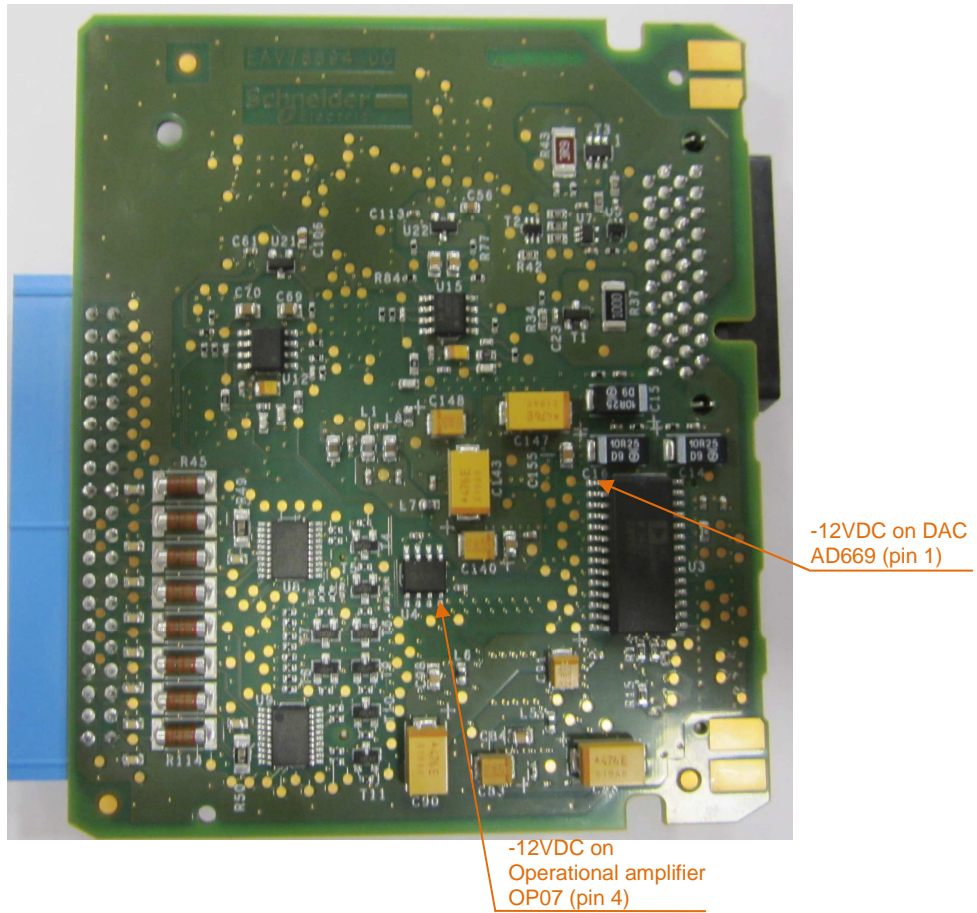
PCBA top side :



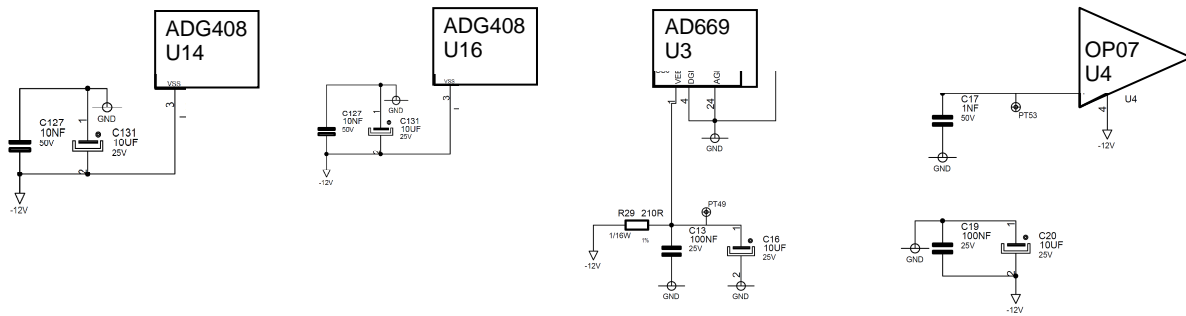
Zoom on -12VDC conversion zone:



PCBA Bottom side



-12Vdc loads :



Input currents:

- AD669: lee (negative polarity) : between -12mA and -18mA.
- ADG408: 2 times between 1μA and 5μA.
- OP07: around 1 mA.p

Total current on the negative potential: **around 20mA.**