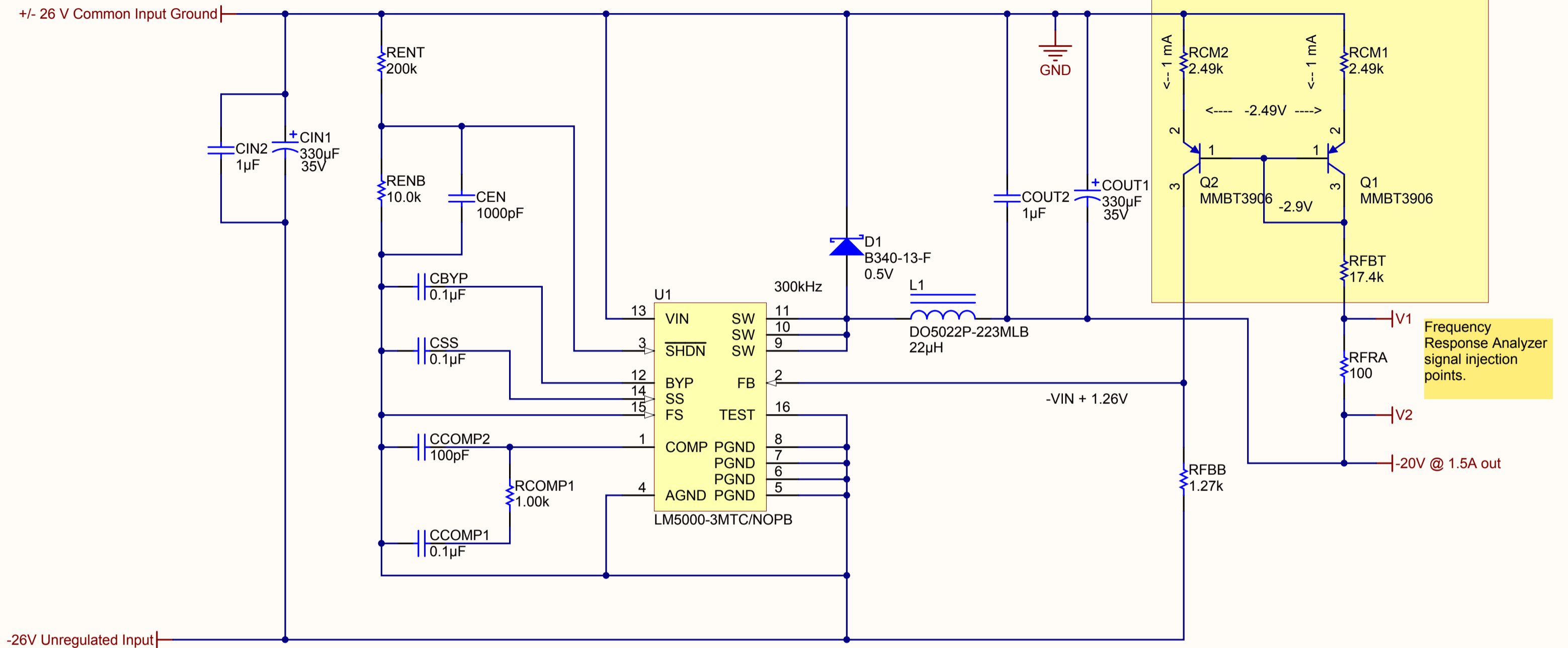


LM5000 based Negative Buck -26V input to -20V output.



National Semiconductor and/or its licensors do not warrant the accuracy or completeness of this specification or any information contained therein. National and/or its licensors do not warrant that this design will meet the specifications, will be suitable for your application or fit for any particular purpose, or will operate in an implementation. National and/or its licensors do not warrant that the design is production worthy. You should completely validate and test your design implementation to confirm the system functionality for your application.

Designed for: Public Release	Mod. Date: 5/18/2012
Project: Change me in menu Project\Project Options\Parameter	Sheet: 1 of 1
Sheet Title: ChangeMe	Rev: X1
Size: Letter	Schematic: 870xxxxxx
Assembly Variant: Variant name not interpreted	
File: 5000_Neg_Buck_Ref_Design_ANSI-B_Sh1.SchDoc	http://www.national.com
Contact: http://www.national.com/support	© Copyright, National Semiconductor 2011



http://www.national.com

© Copyright, National Semiconductor 2011