



Date	Rev	ECN#
05/17/2014	0	


POWER  
 ADEX\_BLDC\_Rev0\_Power.SchDoc




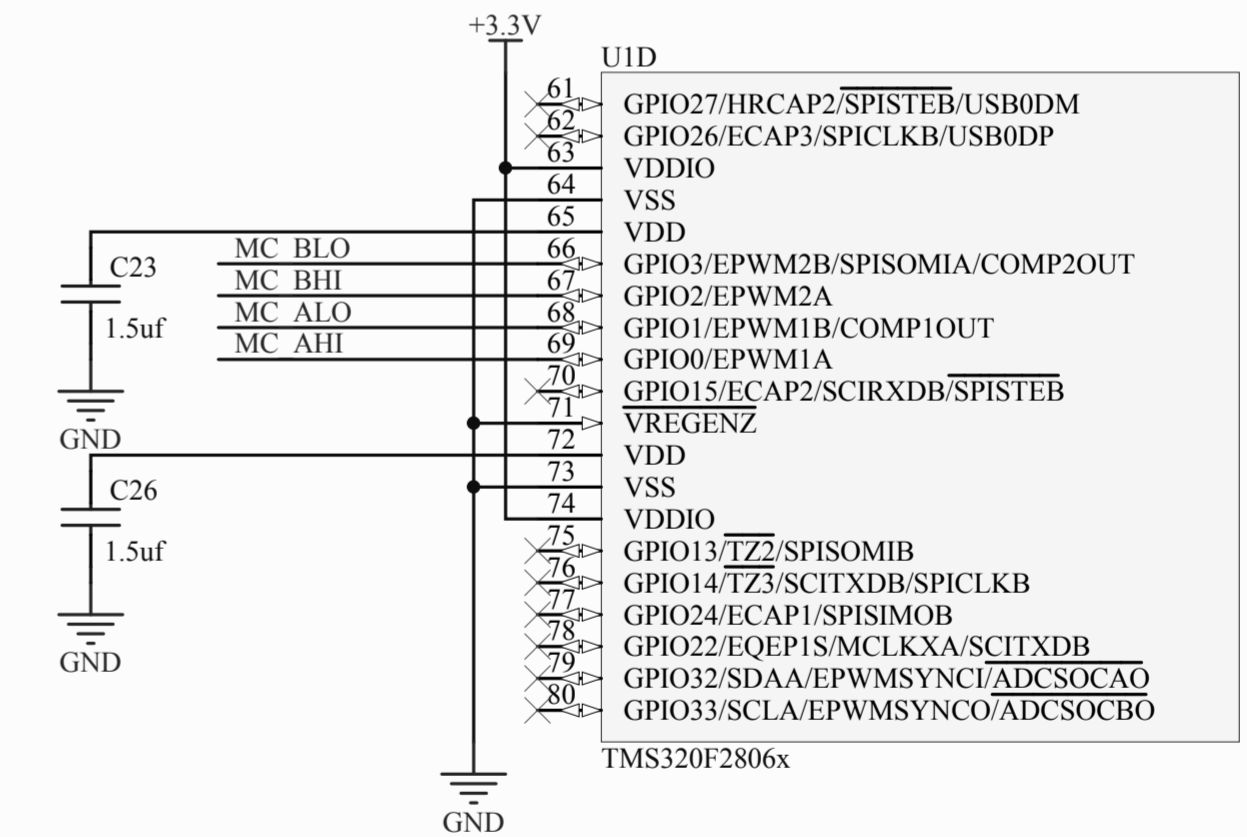
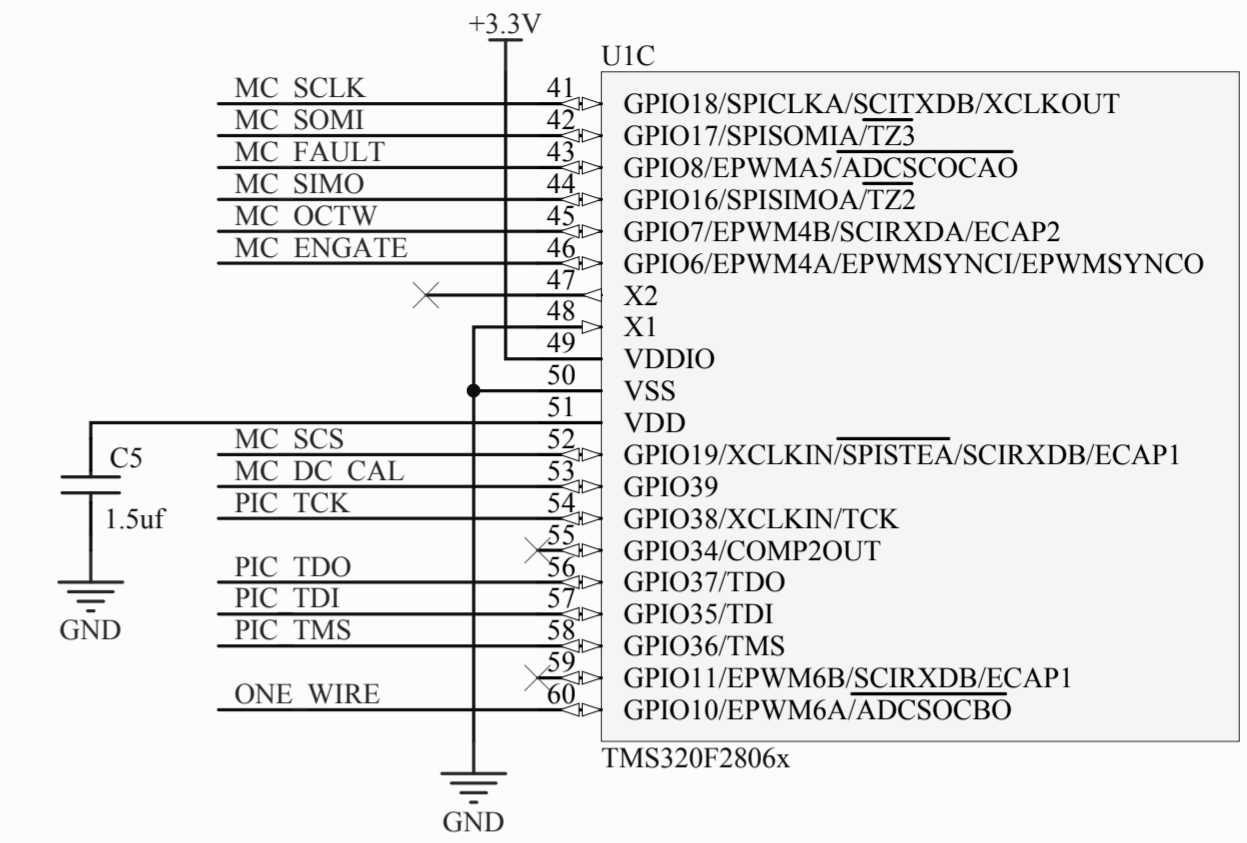
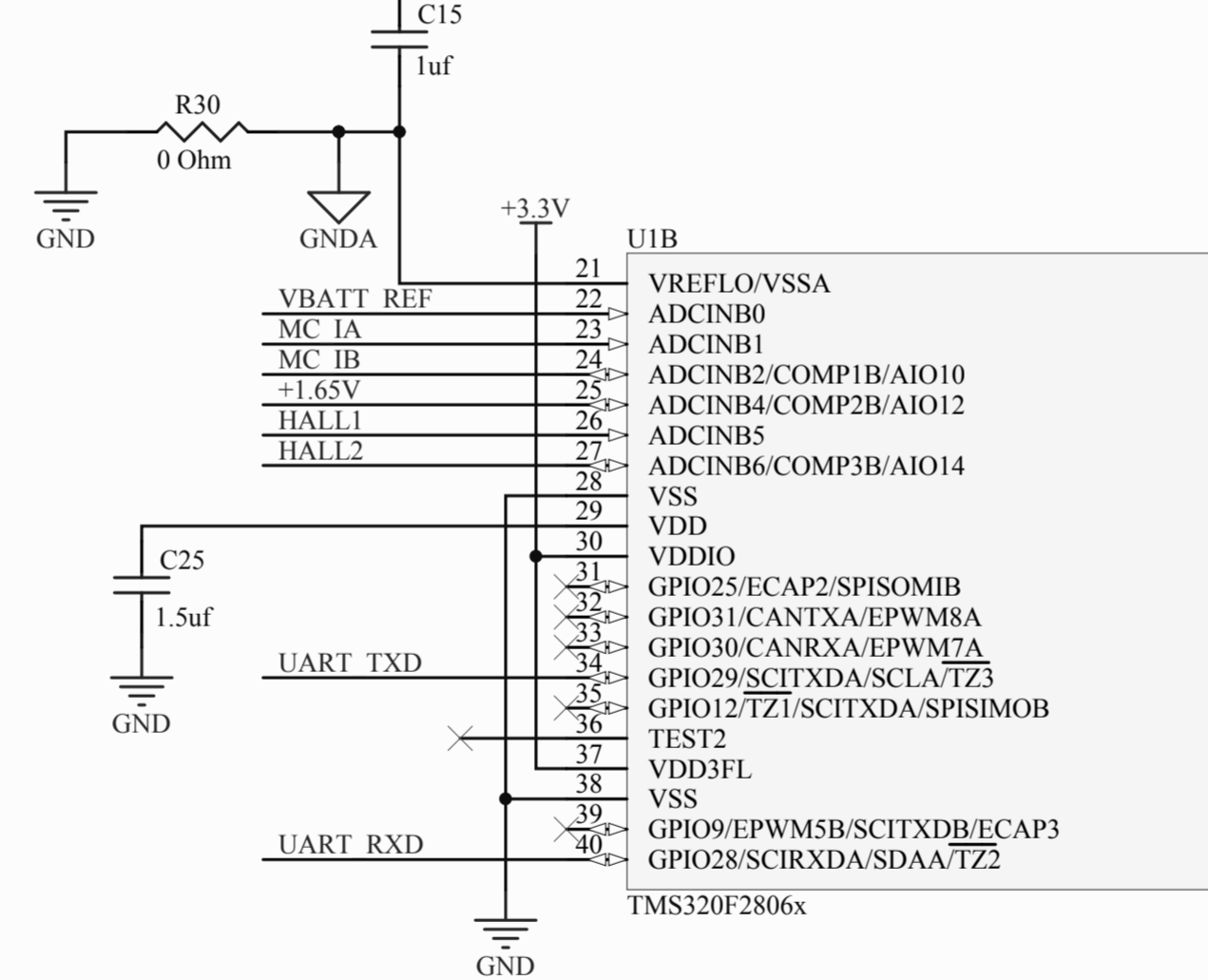
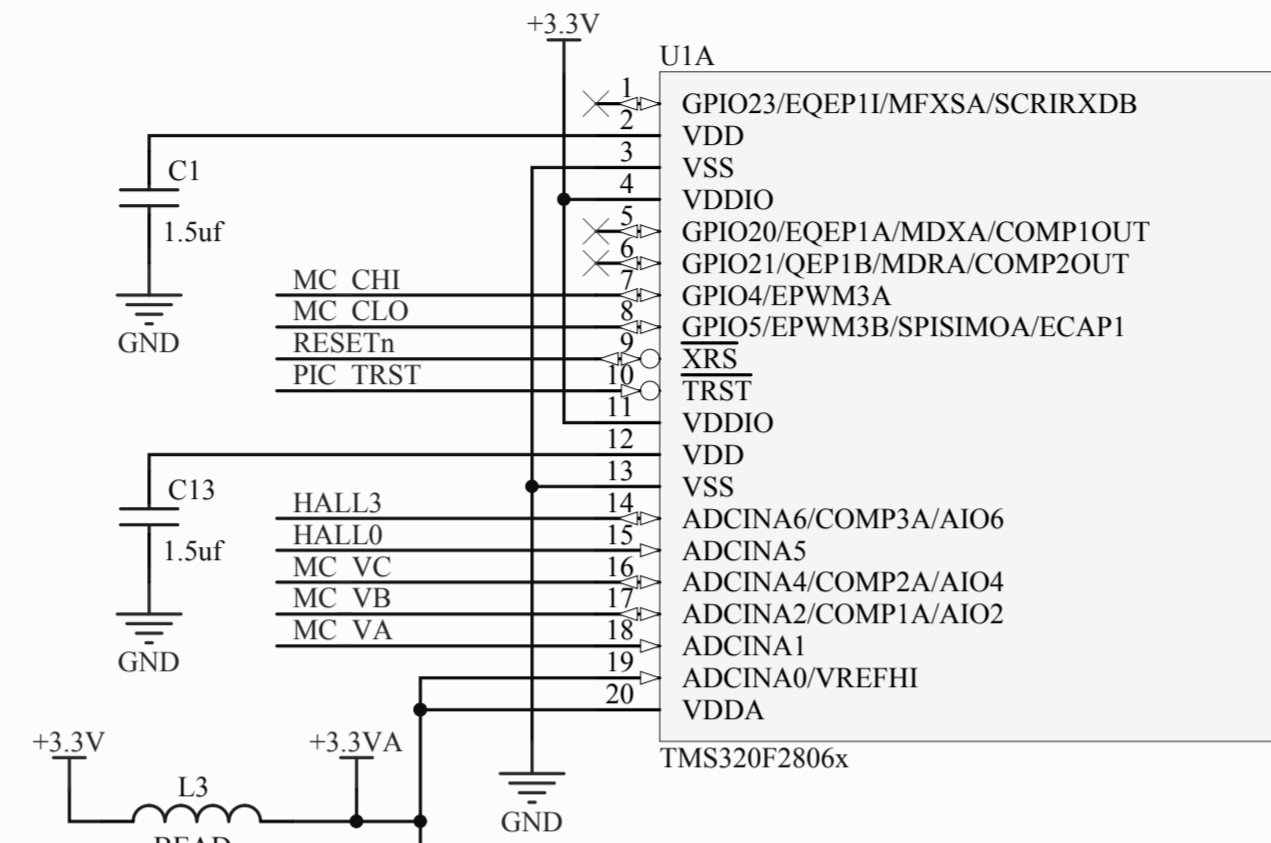
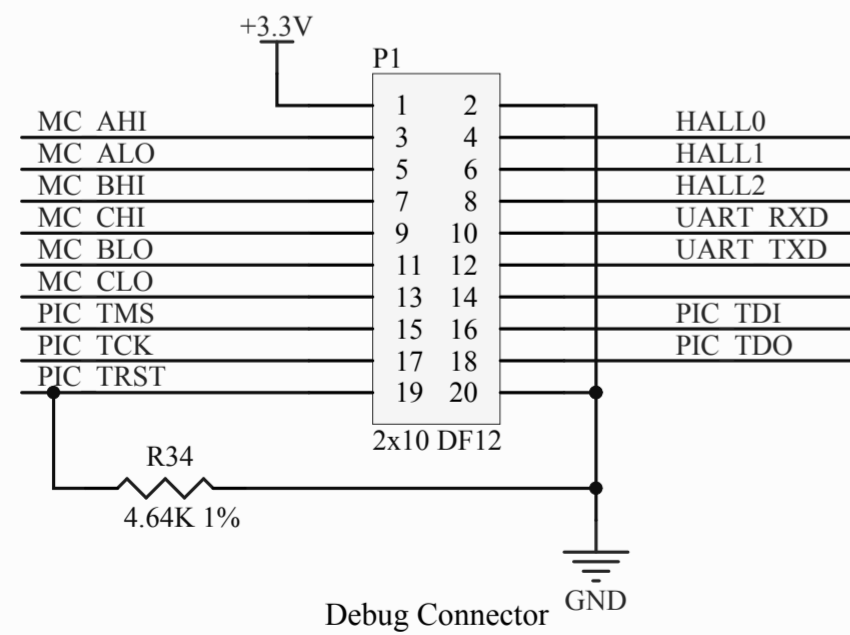
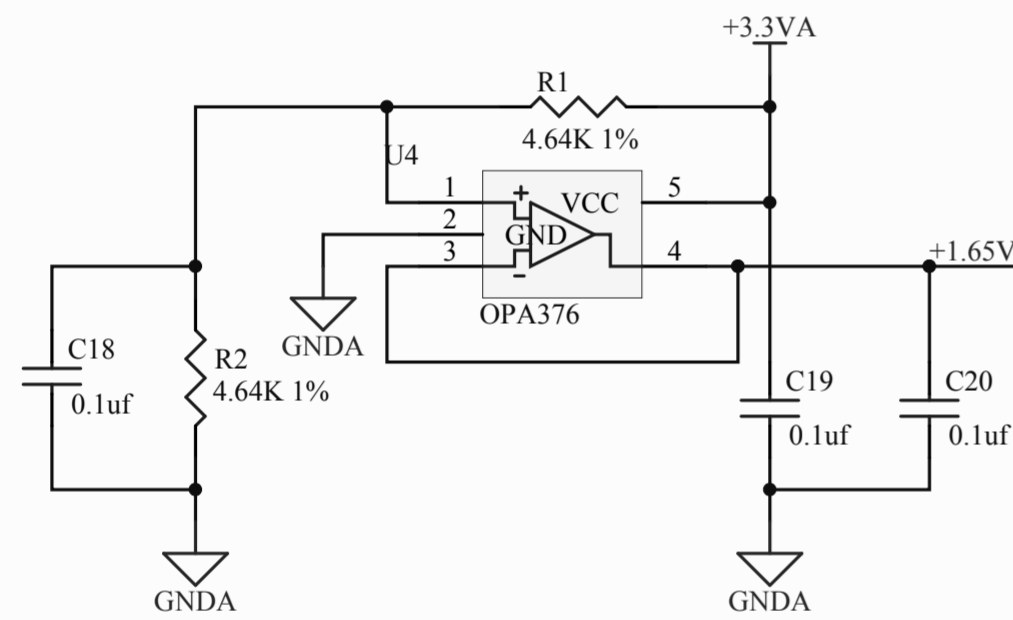
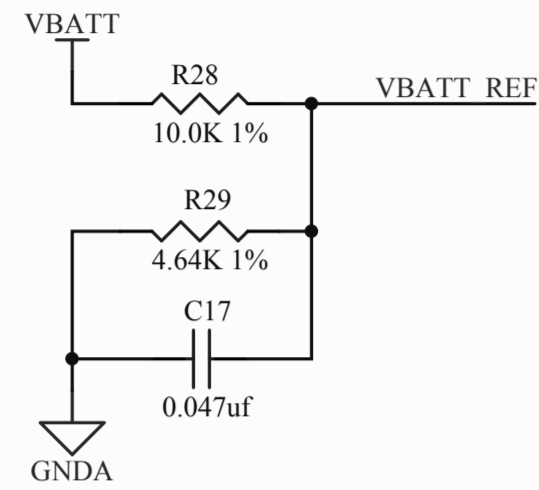
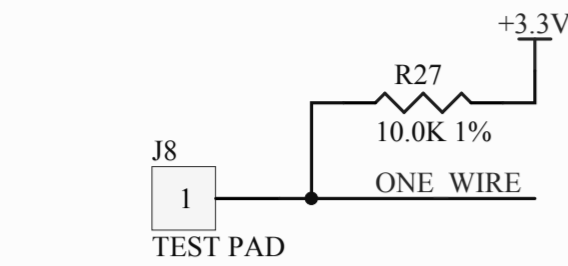
CPU  
 ADEX\_BLDC\_Rev0\_CPU.SchDoc



DRIVE  
 ADEX\_BLDC\_Rev0\_Drive.SchDoc

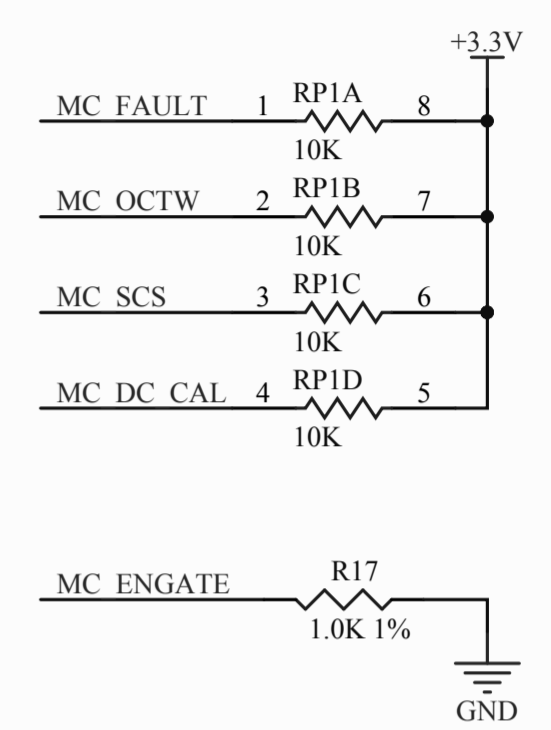
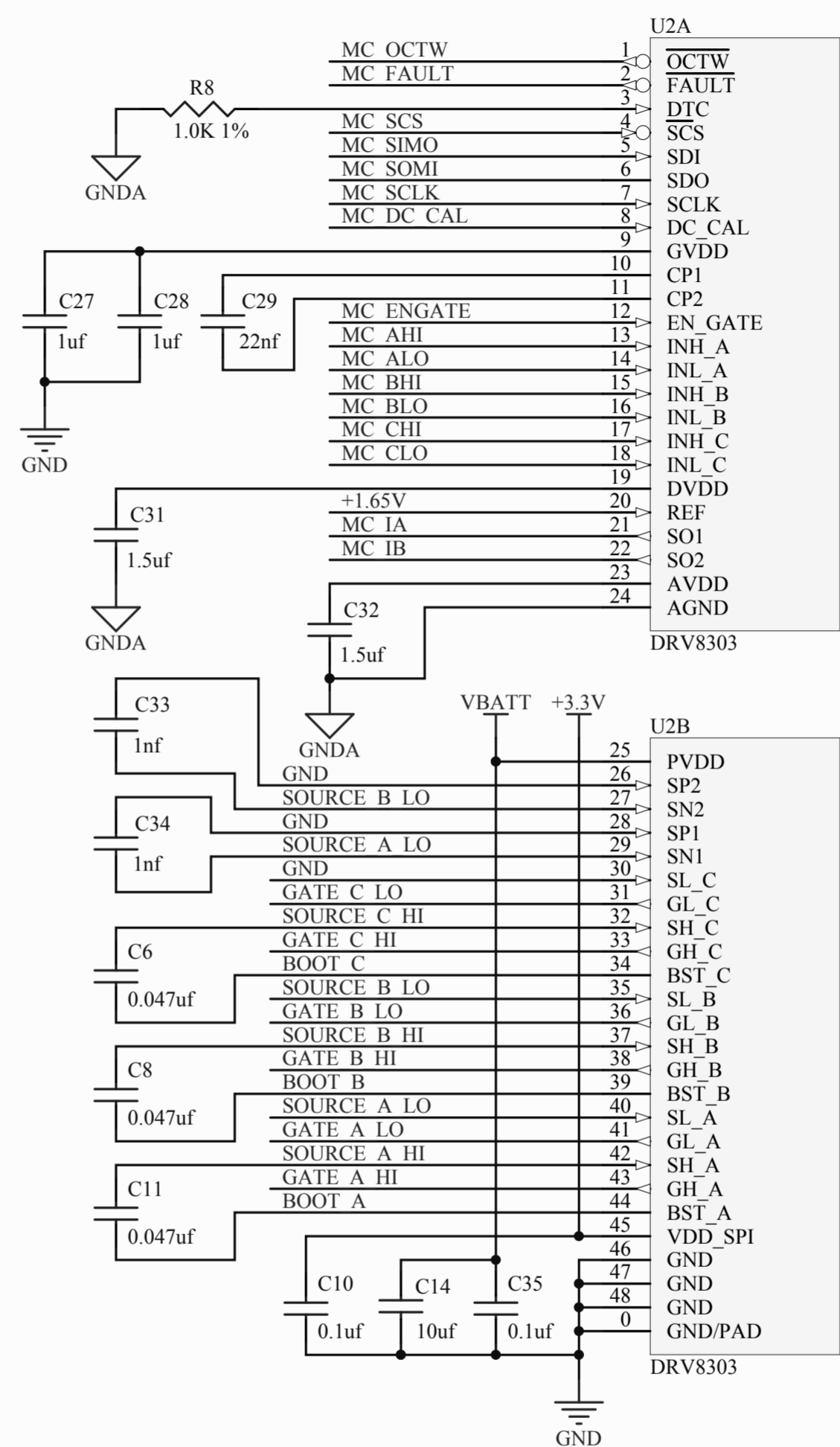
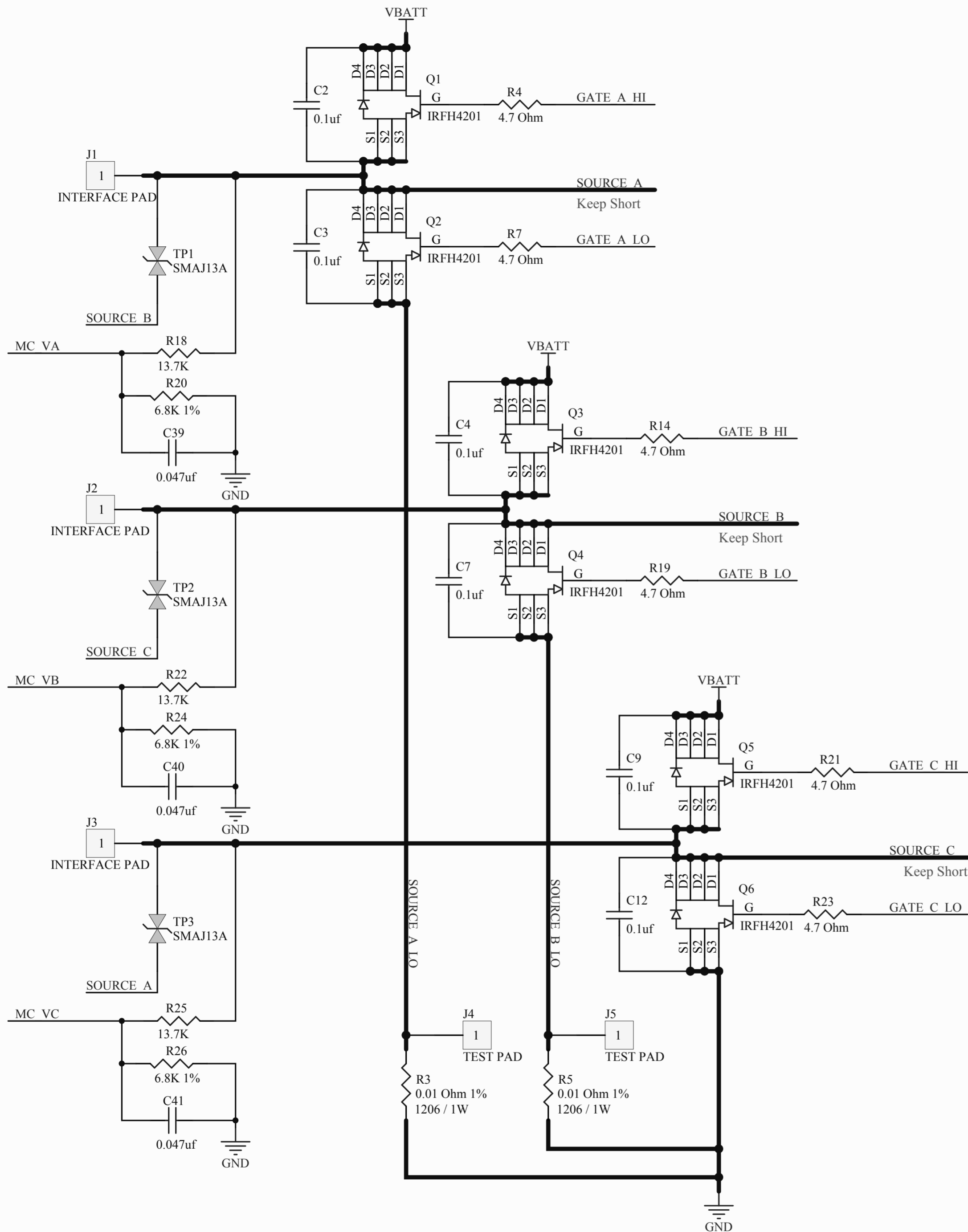


Title <b><i>BLDC Motor Control</i></b>		
Sub Title <b><i>Top Level</i></b>		
Number: 1234-5678	Rev: 0	<b>ADEX Technologies</b> 2901 W Copans Road Suite 103 Ft. Lauderdale, FL 33309
Size: B	Sheet 1 of 4	
Date: 6/12/2014	Time: 10:56:13 PM	
File: ADEX_BLDC_Rev0_Top.SchDoc		



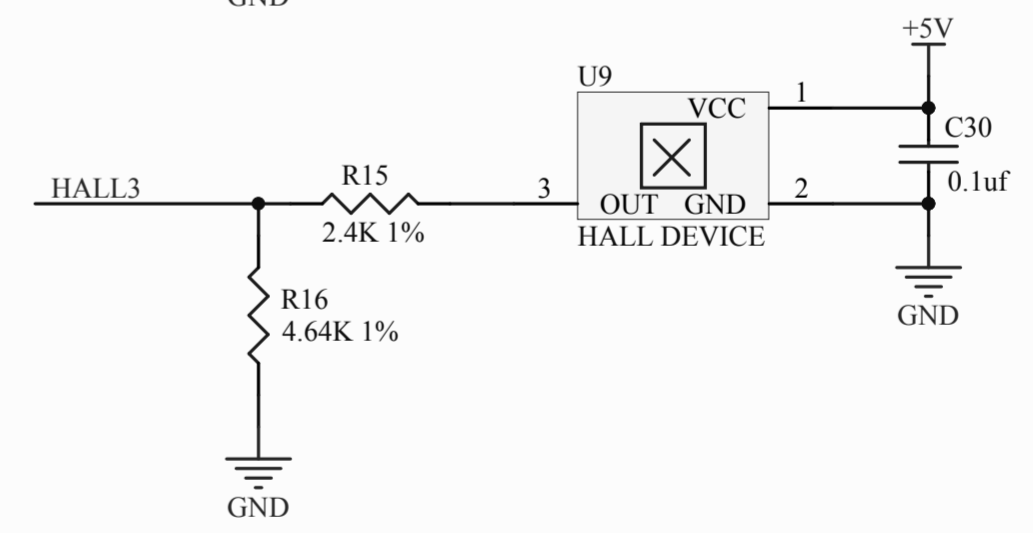
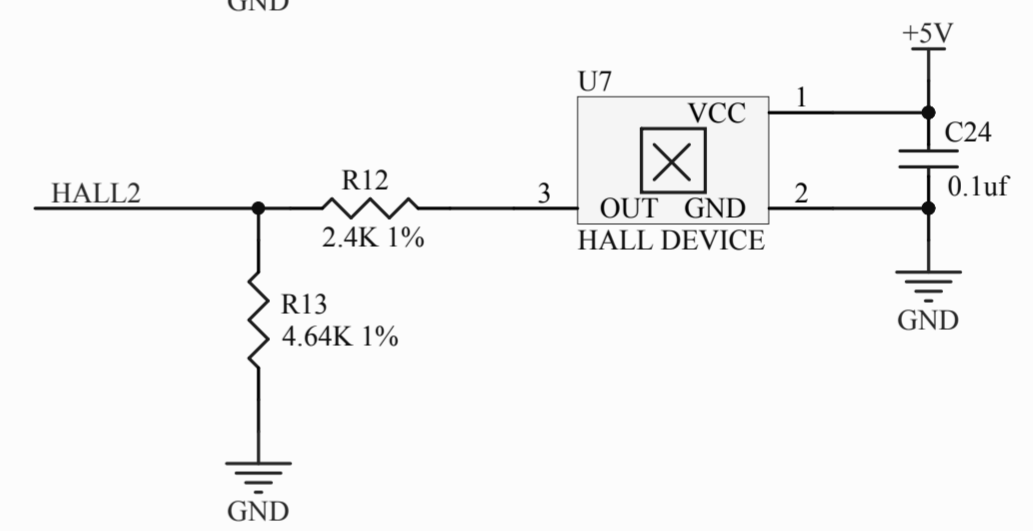
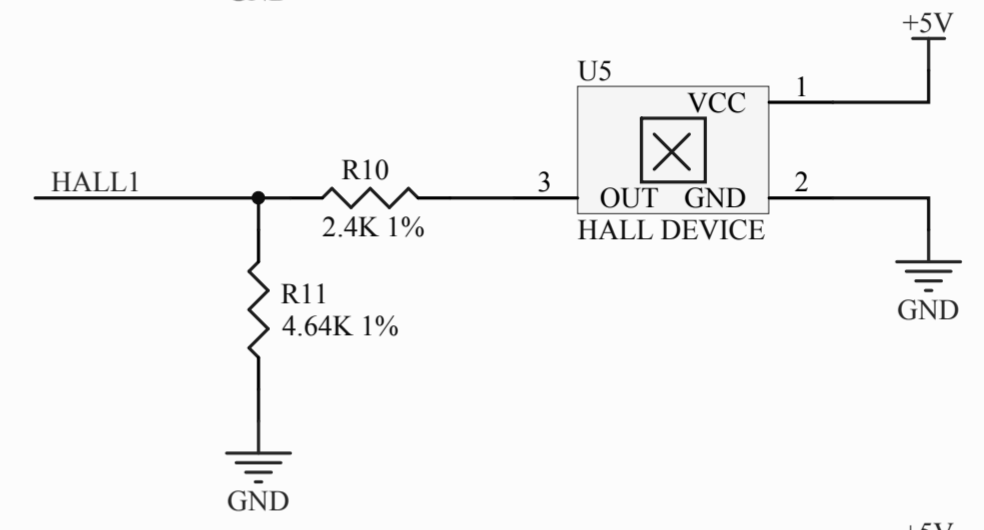
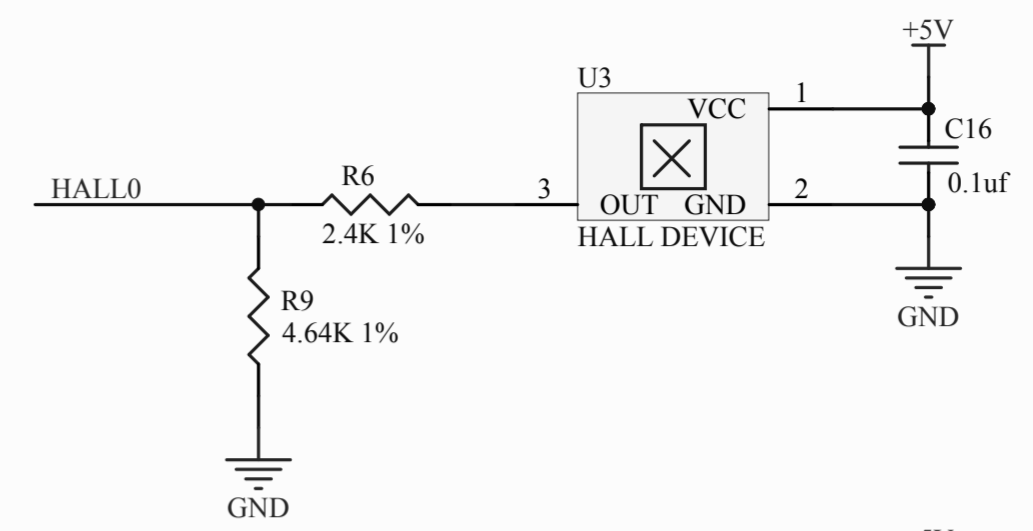
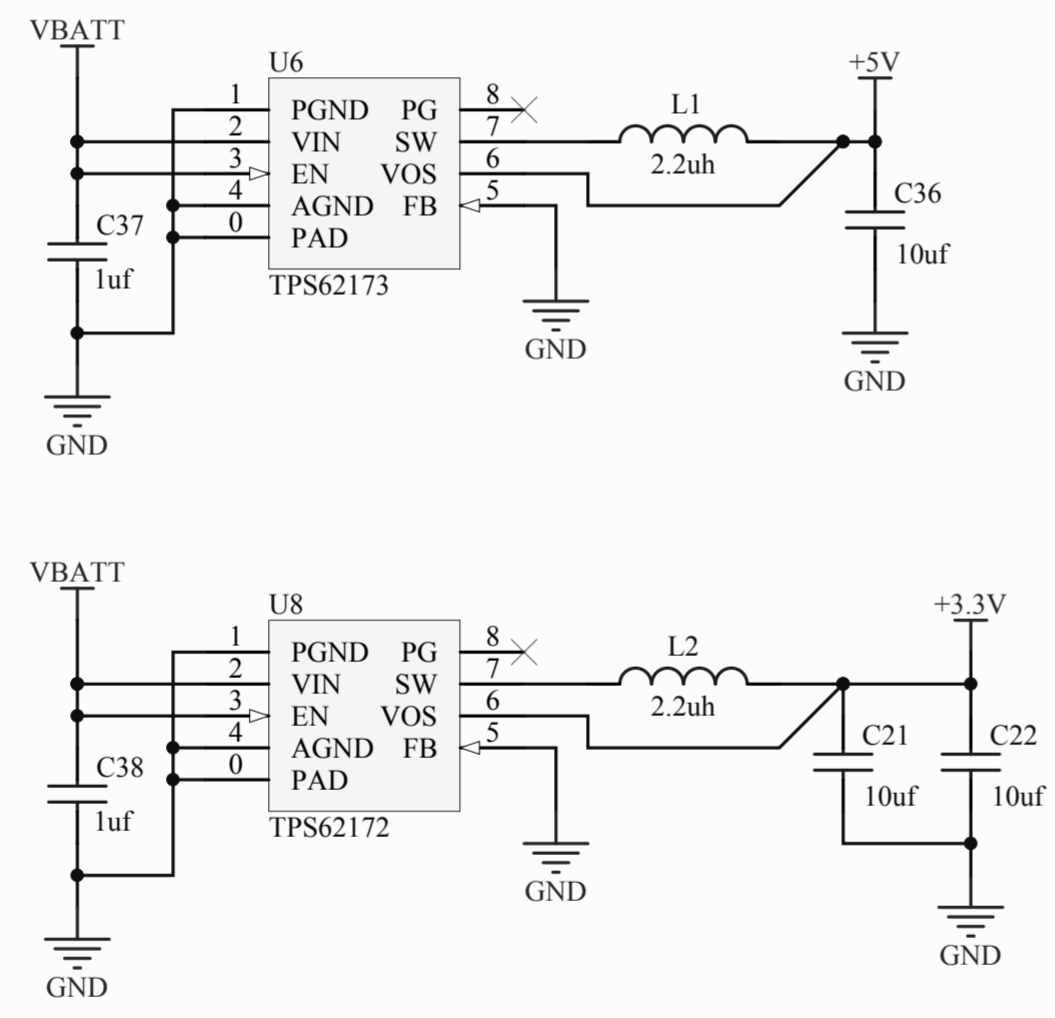
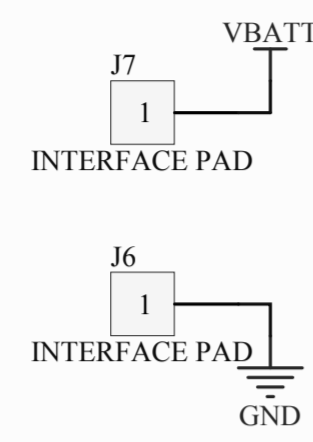
**Adex Technologies Confidential and Proprietary**

Title <b>BLDC Motor Control</b>		<b>ADEX</b> TECHNOLOGIES
Sub Title <b>CPU</b>		
Number: 1234-5678	Rev: 0	<b>Adex Technologies</b> 2901 W Cypress Creek Rd. Suite 103 Ft. Lauderdale, FL 33309
Size: B	Sheet 2 of 4	
Date: 6/12/2014	Time: 10:56:13 PM	
File: ADEX_BLDC_Rev0_CPU.SchDoc		




**Adex Technologies Confidential and Proprietary**

Title <b>BLDC Motor Control</b>		<b>ADEX</b> TECHNOLOGIES
Sub Title <b>Power</b>		
Number: 1234	Rev: revx	<b>Adex Technologies</b> 2901 W Cypress Creek Rd. Suite 103 Ft. Lauderdale, FL 33309
Size: B	Sheet 3 of 4	
Date: 6/12/2014	Time: 10:56:14 PM	
File: ADEX_BLDC_Rev0_Drive.SchDoc		



**Adex Technologies Confidential and Proprietary**

Title <b>BLDC Motor Control</b>		
Sub Title <b>Drive</b>		
Number: 1234	Rev: revx	<b>Adex Technologies</b> 2901 W Cypress Creek Rd. Suite 103 Ft. Lauderdale, FL 33309
Size: B	Sheet 4 of 4	
Date: 6/12/2014	Time: 10:56:14 PM	
File: ADEX_BLDC_Rev0_Power.SchDoc		