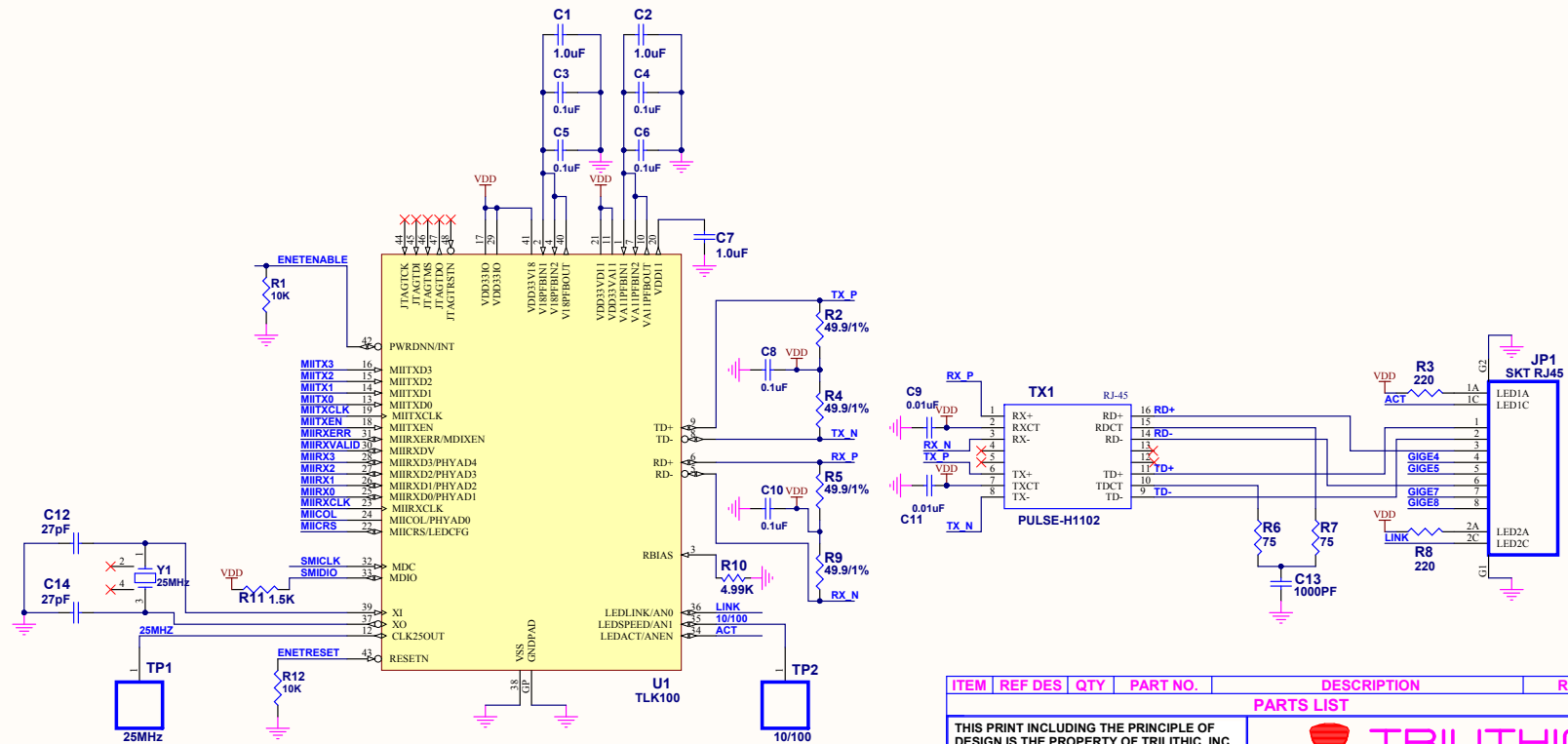


REVISION HISTORY					
REV	SH.ZN	DESCRIPTION	DATE	APPD	ECN



ITEM	REF DES	QTY	PART NO.	DESCRIPTION	REMARKS
PARTS LIST					
<p>THIS PRINT INCLUDING THE PRINCIPLE OF DESIGN IS THE PROPERTY OF TRILITHIC, INC., AND SUBMITTED WITH THE UNDERSTANDING THAT IT IS NOT TO BE USED FOR ANY PURPOSE WITHOUT WRITTEN CONSENT OF TRILITHIC, INC., AUTHORIZED PERSONNEL.</p>					
SIGNATURES				DATE	
DR				SIZE	REV
APPD				B	
			CAGE	DRAWING NO.	
			23042		
			DO NOT SCALE DRAWING	SCALE :NONE	SHEET OF

