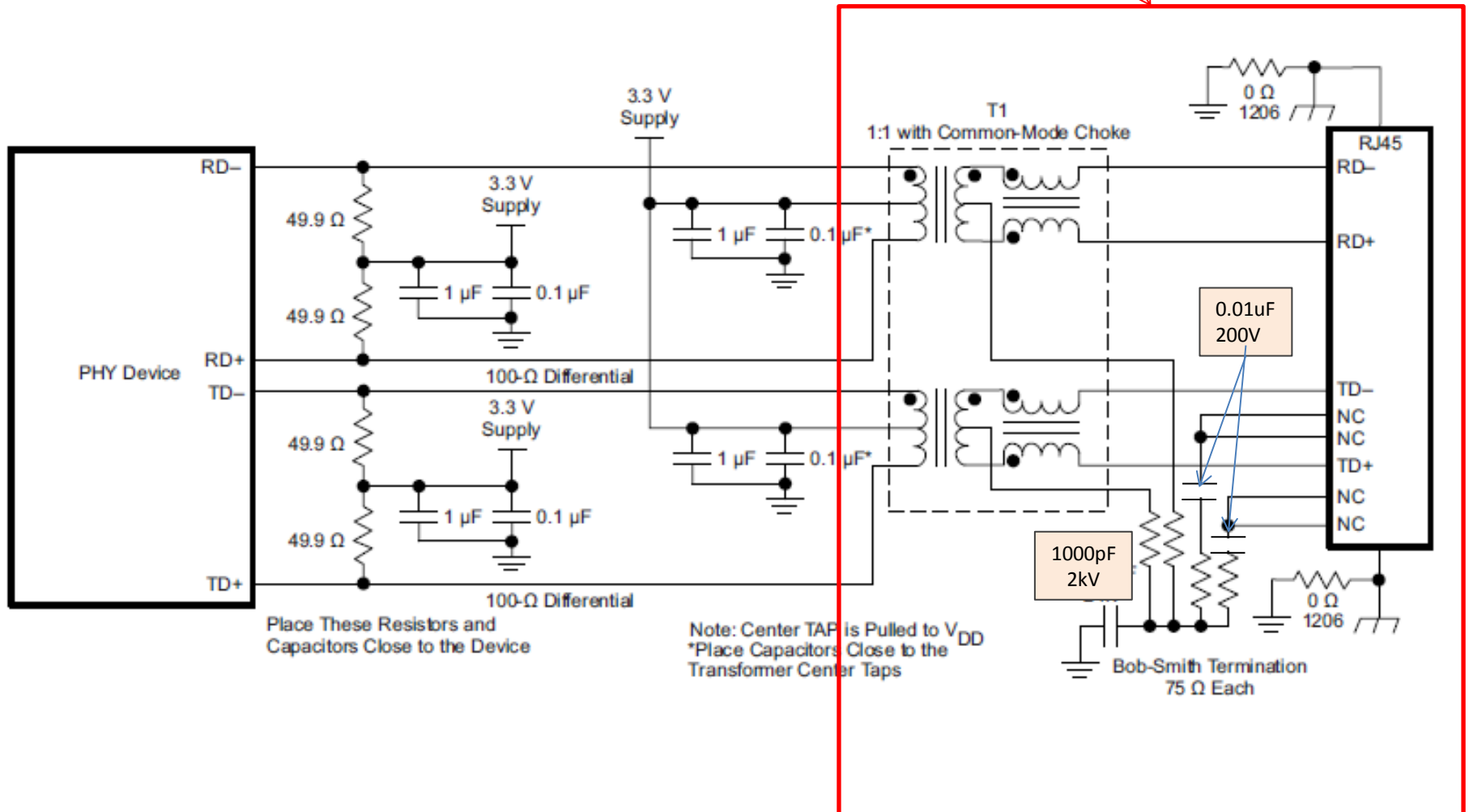
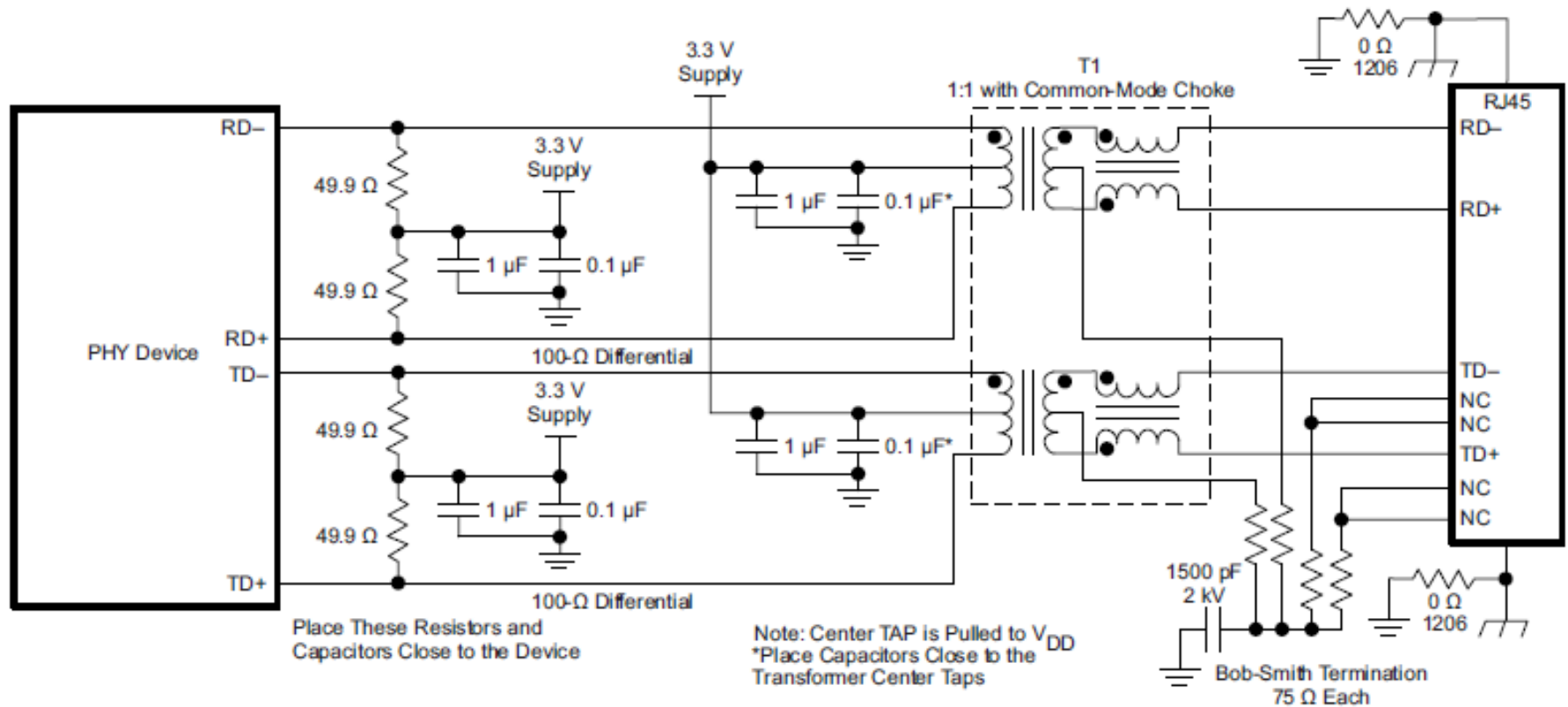


# Our Bob Smith termination

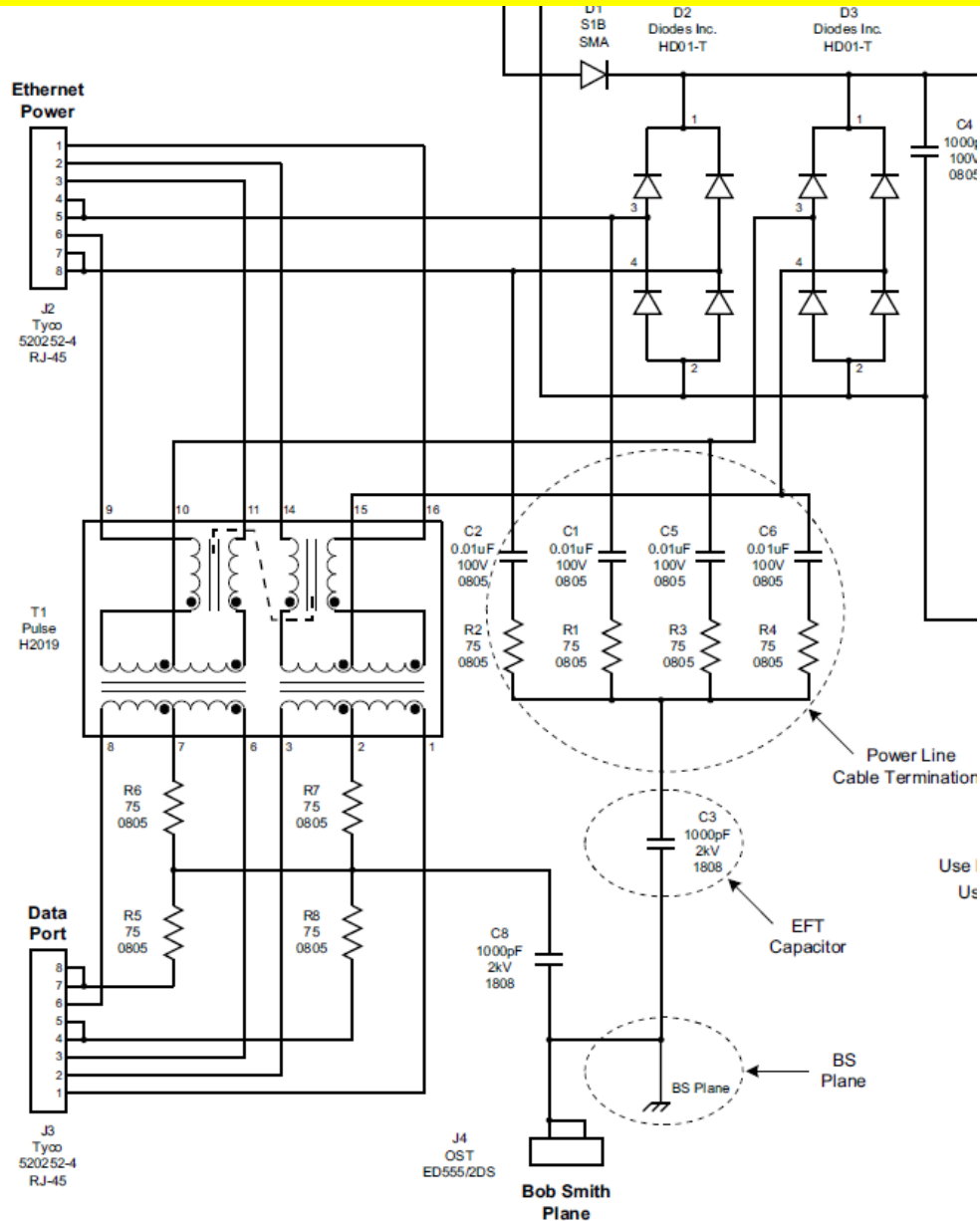
Is this termination schematic is no problem?



# Bob Smith Termination from SLVA531A(TLK1XX Design and Layout Guide)



# Bob Smith Termination from SLUA469(Practical Guidelines to Designing an EMI Compliant PoE Powered Device with Isolated Flyback)



# Bob Smith Termination from SLLU171(TLK105/6 Customer EVM)

