


Revision History

Rev	ECN #	Approved Date	Approved by	Notes
N/A	N/A	N/A	N/A	N/A

Place Block Diagram here (if appropriate) or delete this text box.
 If using a block diagram from another tool, save the picture as a .bmp file.
 Then, use menu Place|Drawing Tools|Graphic to insert the .png/.svg/.bmp file on the schematic.

Orderable: ChangeMe!	Designed for: Public Release	Mod. Date: 12/16/2015	 TEXAS INSTRUMENTS http://www.ti.com <small>© Texas Instruments 2017</small>
TID #: N/A	Project Title: HDC2080EVM		
Number: SV601245	Rev: A	Sheet: 1 of 3	
SVN Rev: Version control disabled	Assembly Variant: 001	Size: B	
Drawn By: Ben Kasemsadeh	File: SV601245A_CoverSheet.SchDoc	Contact: http://www.ti.com/support	

Texas Instruments and/or its licensors do not warrant the accuracy or completeness of this specification or any information contained therein. Texas Instruments and/or its licensors do not warrant that this design will meet the specifications, will be suitable for your application or fit for any particular purpose, or will operate in an implementation. Texas Instruments and/or its licensors do not warrant that the design is production worthy. You should completely validate and test your design implementation to confirm the system functionality for your application.

A

A

B

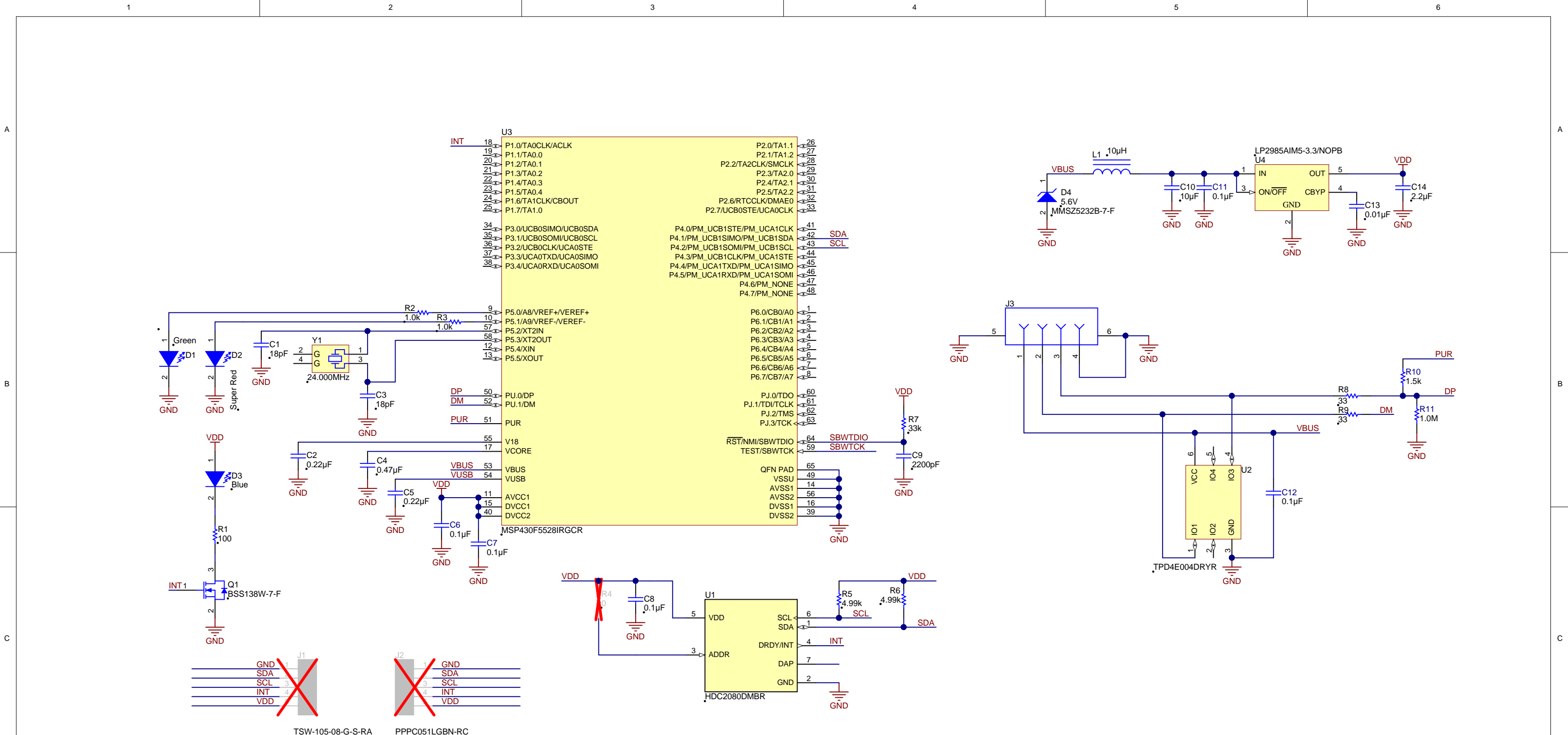
B

C

C

D

D



Texas Instruments and/or its licensors do not warrant the accuracy or completeness of this specification or any information contained therein. Texas Instruments and/or its licensors do not warrant that this design will meet the specifications, will be suitable for your application or fit for any particular purpose, or will operate in an implementation. Texas Instruments and/or its licensors do not warrant that the design is production worthy. You should completely validate and test your design implementation to confirm the system functionality for your application.

Orderable: ChangeMe!	Designed for: Public Release	Mod. Date: 9/12/2017
TID #: N/A	Project Title: HDC2080EVM	
Number: SV601245	Rev: A	Sheet Title:
SVN Rev: Version control disabled	Assembly Variant: 001	Sheet: 2 of 3
Drawn By:	File: SV601245A_BlankSheet_SchDoc	Size: B
Engineer: Ben Kasemsadeh	Contact: http://www.ti.com/support	



© Texas Instruments 2017



PCB Number: SV601245
PCB Rev: A

PCB
LOGO
Texas Instruments

PCB
LOGO
Pb-Free Symbol

PCB
LOGO
FCC disclaimer

Variant/Label Table	
Variant	Label Text
001	HDC2080

ZZ1
Label Assembly Note
This Assembly Note is for PCB labels only

ZZ2
Assembly Note
These assemblies are ESD sensitive, ESD precautions shall be observed.

ZZ3
Assembly Note
These assemblies must be clean and free from flux and all contaminants. Use of no clean flux is not acceptable.

ZZ4
Assembly Note
These assemblies must comply with workmanship standards IPC-A-610 Class 2, unless otherwise specified.

Orderable: ChangeMe!	Designed for: Public Release	Mod. Date: 9/12/2017	 TEXAS INSTRUMENTS http://www.ti.com © Texas Instruments 2017
TID #: N/A	Project Title: HDC2080EVM		
Number: SV601245	Rev: A	Sheet Title:	
SVN Rev: Version control disabled	Assembly Variant: 001	Sheet: 3 of 3	
Drawn By: Ben Kasemsadeh	File: SV601245A_EVM_Hardware.SchDoc	Size: B	
Engineer: Ben Kasemsadeh	Contact: http://www.ti.com/support		

Texas Instruments and/or its licensors do not warrant the accuracy or completeness of this specification or any information contained therein. Texas Instruments and/or its licensors do not warrant that this design will meet the specifications, will be suitable for your application or fit for any particular purpose, or will operate in an implementation. Texas Instruments and/or its licensors do not warrant that the design is production worthy. You should completely validate and test your design implementation to confirm the system functionality for your application.