

# AWR1243 Single-Chip 77- and 79-GHz FMCW Transceiver

## 1 Device Overview

### 1.1 Features

- FMCW Transceiver
  - Integrated PLL, Transmitter, Receiver, Baseband, and A2D
  - 76- to 81-GHz Coverage With 4 GHz Available Bandwidth
  - Four Receive Channels
  - Three Transmit Channels (Two Can be Used Simultaneously)
  - Ultra-Accurate Chirp Engine Based on Fractional-N PLL
  - TX Power: 12 dBm
  - RX Noise Figure:
    - 15 dB (76 to 77 GHz)
    - 16 dB (77 to 81 GHz)
  - Phase Noise at 1 MHz:
    - –94 dBc/Hz (76 to 77 GHz)
    - –91 dBc/Hz (77 to 81 GHz)
- Built-in Calibration and Self-Test
  - Built-in Firmware (ROM)
  - Self-calibrating System Across Frequency and Temperature
- Host Interface
  - Control Interface With External Processor Over SPI
  - Data Interface With External Processor Over MIPI D-PHY and CSI2 V1.1
  - Interrupts for Fault Reporting
- ASIL B Capable
- AECQ100 Qualified
- AWR1243 Advanced Features
  - Embedded Self-monitoring With No Host Processor Involvement
  - Complex Baseband Architecture
  - Option of Cascading Multiple Devices to Increase Channel Count
  - Embedded Interference Detection Capability
- Power Management
  - Built-in LDO Network for Enhanced PSRR
  - I/Os Support Dual Voltage 3.3 V/1.8 V
- Clock Source
  - 40.0-MHz Crystal With Internal Oscillator
  - Supports External Oscillator at 40 and 50 MHz
- Easy Hardware Design
  - 0.65-mm Pitch, 161-Pin 10.4 mm × 10.4 mm Flip Chip BGA Package for Easy Assembly and Low-Cost PCB Design
  - Small Solution Size
- Supports Automotive Temperature Operating Range

### 1.2 Applications

- Automated Highway Driving
- Adaptive Cruise Control
- Automatic Emergency Braking

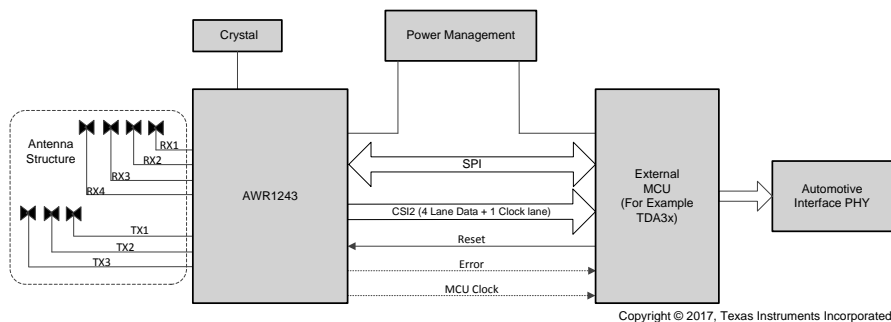


Figure 1-1. Radar Sensor for Automotive Applications



### 1.3 Description

The AWR1243 device is an integrated single-chip FMCW transceiver capable of operation in the 76- to 81-GHz band. The device enables unprecedented levels of integration in an extremely small form factor. AWR1243 is an ideal solution for low power, self-monitored, ultra-accurate radar systems in the automotive space.

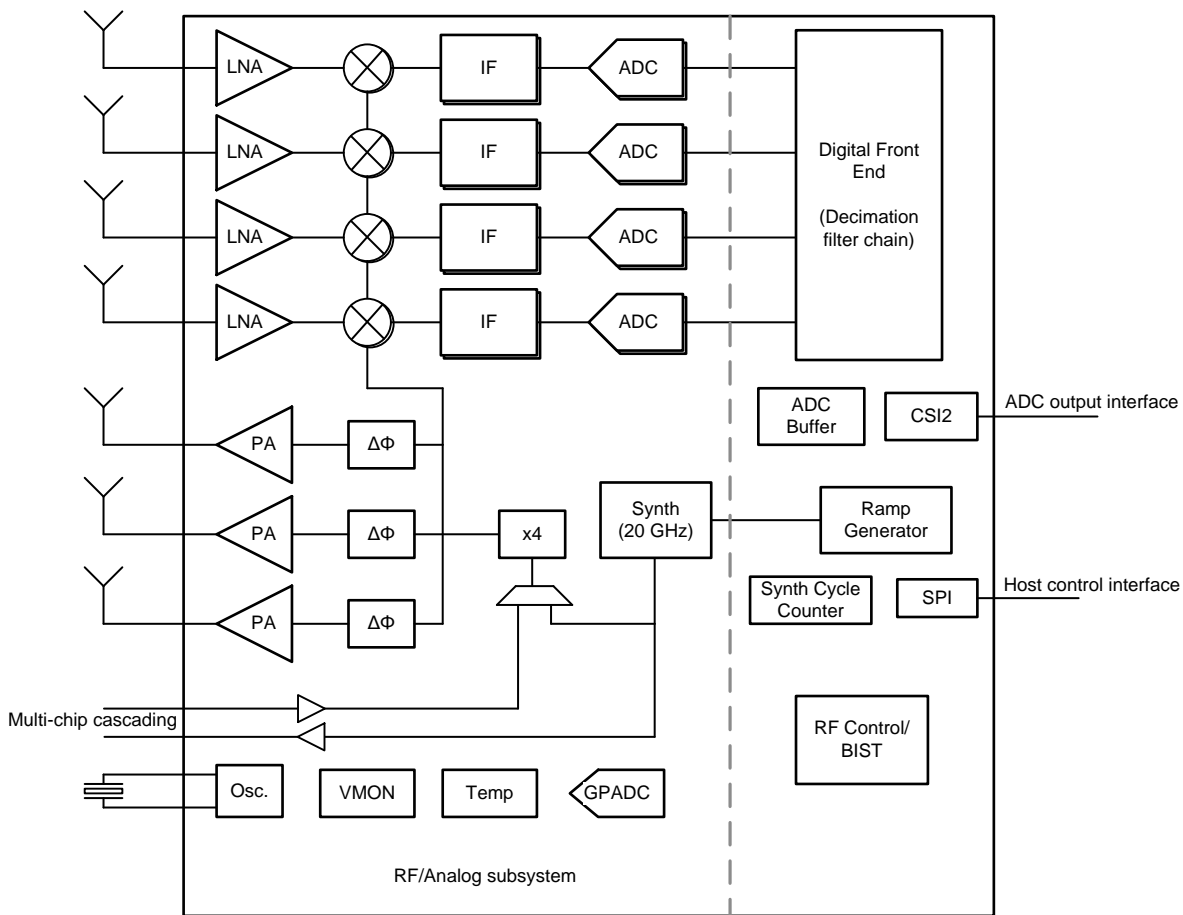
The AWR1243 device is a self-contained FMCW transceiver single-chip solution that simplifies the implementation of Automotive Radar sensors in the band of 76 to 81 GHz. It is built on TI's low-power 45-nm RFCMOS process, which enables a monolithic implementation of a 3TX, 4RX system with built-in PLL and A2D converters. Simple programming model changes can enable a wide variety of sensor implementation (Short, Mid, Long) with the possibility of dynamic reconfiguration for implementing a multimode sensor. Additionally, the device is provided as a complete platform solution including reference hardware design, software drivers, sample configurations, API guide, and user documentation.

**Device Information<sup>(1)</sup>**

PART NUMBER	PACKAGE	BODY SIZE
X1243BIGABL (Tray)	FCBGA (161)	10.4 mm x 10.4 mm

(1) For more information, see [Section 9, Mechanical Packaging and Orderable Information](#).

### 1.4 Functional Block Diagram



ADVANCE INFORMATION

## Table of Contents

<b>1 Device Overview</b> .....	<b><a href="#">1</a></b>	<b>6 Detailed Description</b> .....	<b><a href="#">27</a></b>
1.1 Features .....	<a href="#">1</a>	6.1 Overview .....	<a href="#">27</a>
1.2 Applications .....	<a href="#">1</a>	6.2 Functional Block Diagram .....	<a href="#">27</a>
1.3 Description .....	<a href="#">2</a>	6.3 Subsystems .....	<a href="#">27</a>
1.4 Functional Block Diagram .....	<a href="#">2</a>	6.4 Other Subsystems .....	<a href="#">30</a>
<b>2 Revision History</b> .....	<b><a href="#">3</a></b>	<b>7 Applications, Implementation, and Layout</b> .....	<b><a href="#">32</a></b>
<b>3 Device Comparison</b> .....	<b><a href="#">4</a></b>	7.1 Application Information .....	<a href="#">32</a>
3.1 Related Products .....	<a href="#">5</a>	7.2 Short-, Medium-, and Long-Range Radar .....	<a href="#">32</a>
<b>4 Terminal Configuration and Functions</b> .....	<b><a href="#">6</a></b>	7.3 Reference Schematic .....	<a href="#">32</a>
4.1 Pin Diagram .....	<a href="#">6</a>	7.4 Layout .....	<a href="#">35</a>
4.2 Signal Descriptions .....	<a href="#">10</a>	<b>8 Device and Documentation Support</b> .....	<b><a href="#">40</a></b>
<b>5 Specifications</b> .....	<b><a href="#">13</a></b>	8.1 Device Nomenclature .....	<a href="#">40</a>
5.1 Absolute Maximum Ratings .....	<a href="#">13</a>	8.2 Tools and Software .....	<a href="#">41</a>
5.2 ESD Ratings .....	<a href="#">13</a>	8.3 Documentation Support .....	<a href="#">41</a>
5.3 Power-On Hours (POH) .....	<a href="#">13</a>	8.4 Community Resources .....	<a href="#">42</a>
5.4 Recommended Operating Conditions .....	<a href="#">14</a>	8.5 Trademarks .....	<a href="#">42</a>
5.5 Power Supply Specifications .....	<a href="#">14</a>	8.6 Electrostatic Discharge Caution .....	<a href="#">42</a>
5.6 Power Consumption Summary .....	<a href="#">15</a>	8.7 Export Control Notice .....	<a href="#">42</a>
5.7 RF Specification .....	<a href="#">16</a>	8.8 Glossary .....	<a href="#">42</a>
5.8 Thermal Resistance Characteristics for FCBGA Package [ABL0161] .....	<a href="#">17</a>	<b>9 Mechanical, Packaging, and Orderable Information</b> .....	<b><a href="#">43</a></b>
5.9 Timing and Switching Characteristics .....	<a href="#">18</a>	9.1 Packaging Information .....	<a href="#">43</a>

## 2 Revision History

NOTE: Page numbers for previous revisions may differ from page numbers in the current version.

DATE	REVISION	NOTES
May 2017	*	Initial Release

### 3 Device Comparison

**Table 3-1. Device Features Comparison**

FUNCTION	AWR1243	AWR1443	AWR1642
Number of receivers	4	4	4
Number of transmitters	3	3	2
On-chip memory	—	576KB	1.5MB
ASIL	B-Capable	—	B-Capable
Max interface (MHz)	15	5	5
Max real sampling rate (Msps)	37.5	12.5	12.5
Processor			
MCU (R4F)	—	Yes	Yes
DSP (C674x)	—	—	Yes
Peripherals			
Serial Peripheral Interface (SPI) ports	1	1	2
Quad Serial Peripheral Interface (QSPI)	—	Yes	Yes
Inter-Integrated Circuit (I <sup>2</sup> C) interface	—	1	1
Controller Area Network (DCAN) interface	—	Yes	Yes
CAN FD	—	—	Yes
Trace	—	—	Yes
PWM	—	—	Yes
Hardware In Loop (HIL/DMM)	—	—	Yes
GPADC	—	Yes	Yes
LVDS/Debug	Yes	Yes	Yes
CSI2	Yes	—	—
Hardware accelerator	—	Yes	—
1-V bypass mode	Yes	Yes	Yes
Cascade (20-GHz sync)	Yes	—	—
JTAG	—	Yes	Yes
Product status <sup>(1)</sup>	PRODUCT PREVIEW (PP), ADVANCE INFORMATION (AI), or PRODUCTION DATA (PD)	AI	AI

(1) ADVANCE INFORMATION concerns new products in the sampling or preproduction phase of development. Characteristic data and other specifications are subject to change without notice.

### 3.1 Related Products

For information about other devices in this family of products or related products see the links that follow.

**mmWave Sensors** TI's mmWave sensors rapidly and accurately sense range, angle and velocity with less power using the smallest footprint mmWave sensor portfolio for automotive applications.

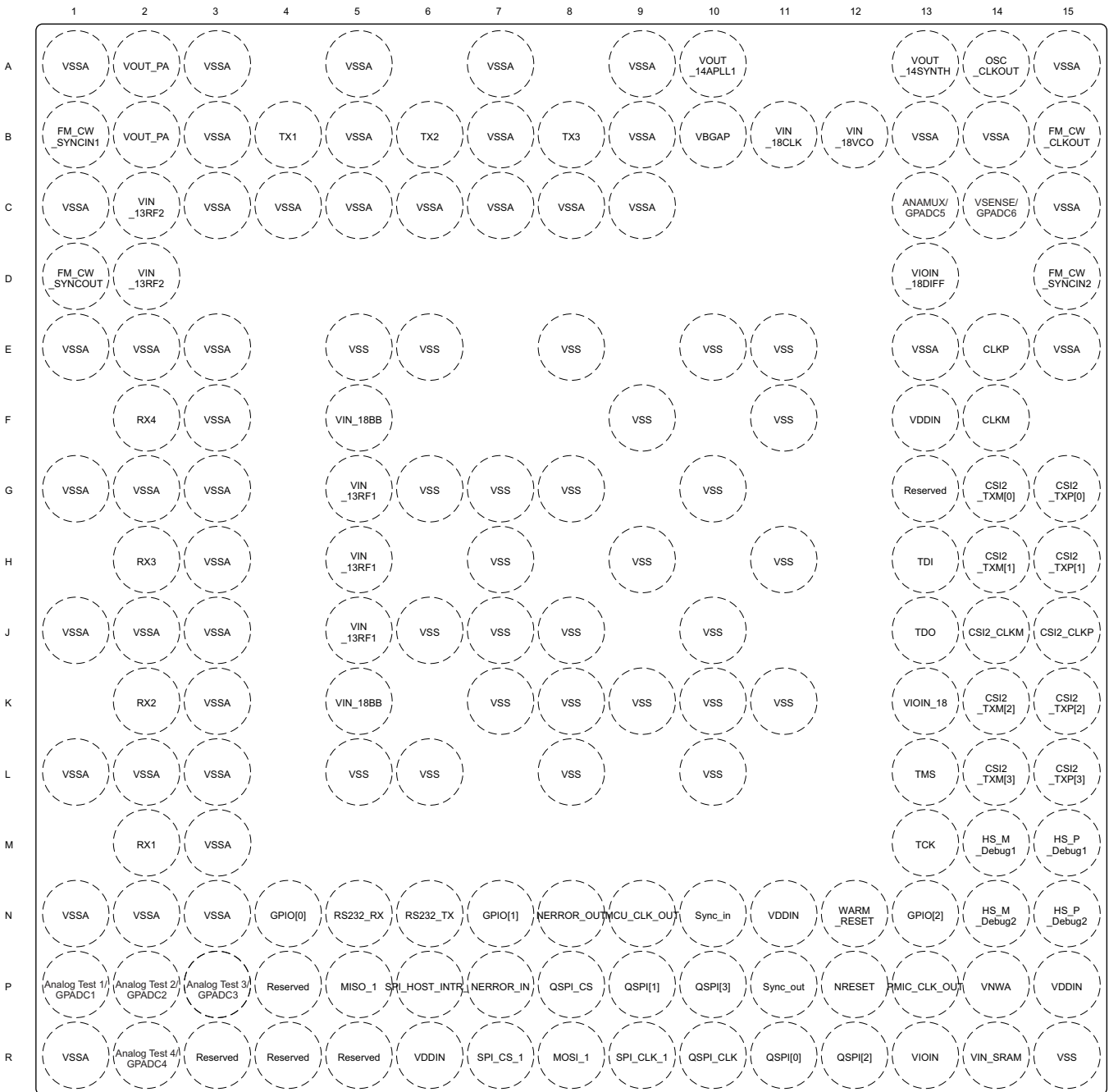
**Automotive mmWave Sensors** TI's automotive mmWave sensor portfolio offers high-performance radar front end to ultra-high resolution, small and low-power single-chip radar solutions. TI's scalable sensor portfolio enables design and development of ADAS system solution for every performance, application and sensor configuration ranging from comfort functions to safety functions in all vehicles.

**Companion Products for AWR1243** Review products that are frequently purchased or used in conjunction with this product.

## 4 Terminal Configuration and Functions

### 4.1 Pin Diagram

Figure 4-1 shows the pin locations for the 161-pin FCBGA package. Figure 4-2, Figure 4-3, Figure 4-4, and Figure 4-5 show the same pins, but split into four quadrants.

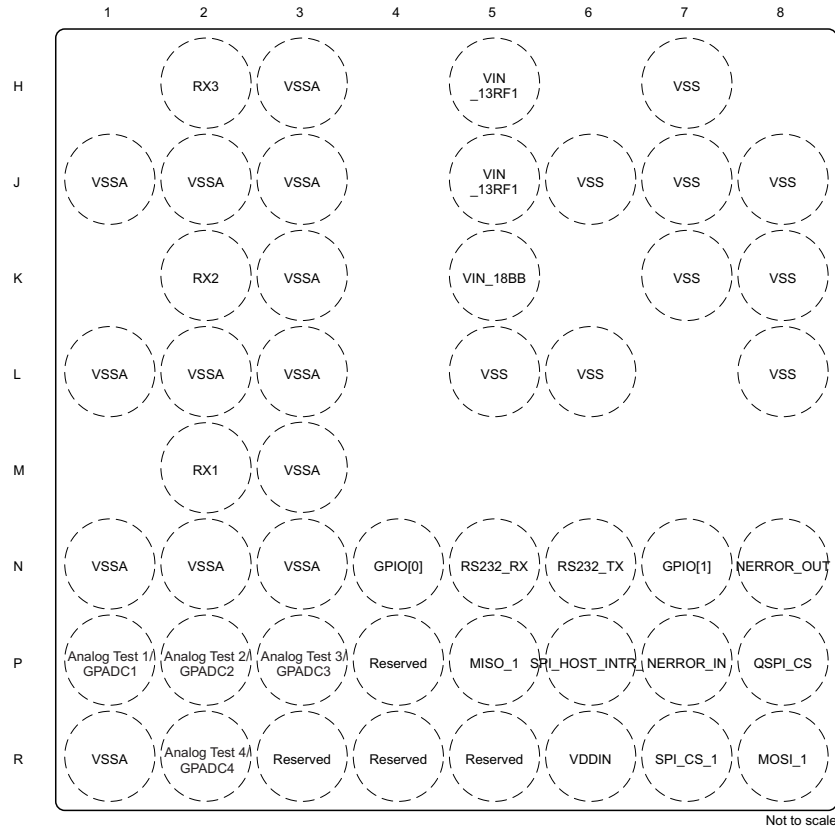


Not to scale

Figure 4-1. Pin Diagram

ADVANCE INFORMATION

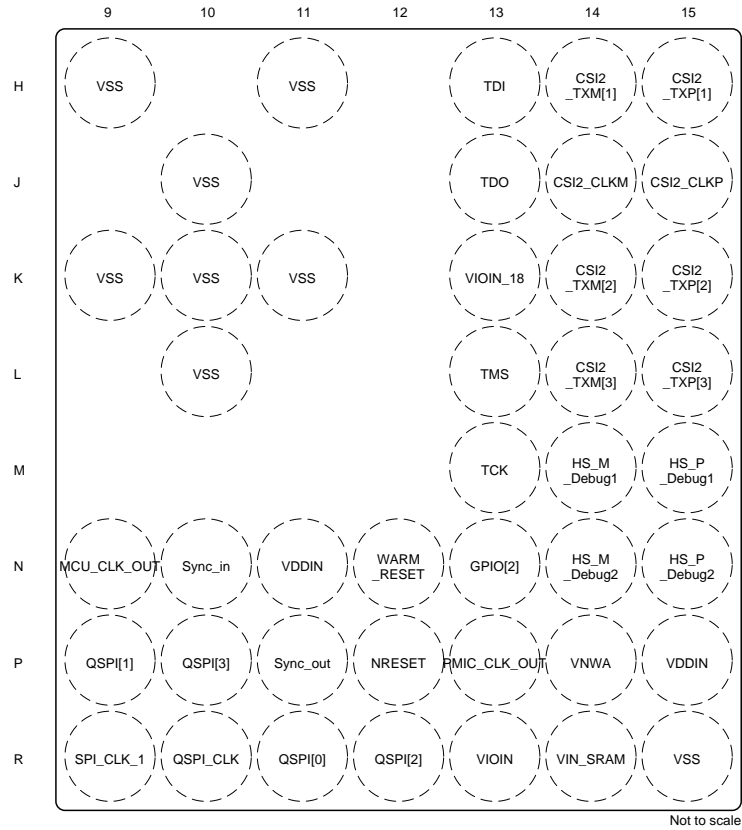




1	2
3	4

**Figure 4-4. Bottom Left Quadrant**





1	2
3	4

Figure 4-5. Bottom Right Quadrant

## 4.2 Signal Descriptions

Table 4-1 lists the pins by function and describes that function.

**Table 4-1. Signal Descriptions**

FUNCTION	SIGNAL NAME	PIN NUMBER	PIN TYPE	DESCRIPTION
Transmitters	TX1	B4	O	Single-ended transmitter1 o/p
	TX2	B6	O	Single-ended transmitter2 o/p
	TX3	B8	O	Single-ended transmitter3 o/p
Receivers	RX1	M2	I	Single-ended receiver1 i/p
	RX2	K2	I	Single-ended receiver2 i/p
	RX3	H2	I	Single-ended receiver3 i/p
	RX4	F2	I	Single-ended receiver4 i/p
CSI2 TX	CSI2_TXP[0]	G15	O	Differential data Out – Lane 0
	CSI2_TXM[0]	G14	O	
	CSI2_CLKP	J15	O	Differential clock Out
	CSI2_CLKM	J14	O	
	CSI2_TXP[1]	H15	O	Differential data Out – Lane 1
	CSI2_TXM[1]	H14	O	
	CSI2_TXP[2]	K15	O	Differential data Out – Lane 2
	CSI2_TXM[2]	K14	O	
	CSI2_TXP[3]	L15	O	Differential data Out – Lane 3
	CSI2_TXM[3]	L14	O	
	HS_DEBUG1_P	M15	O	Differential debug port 1
	HS_DEBUG1_M	M14	O	
	HS_DEBUG2_P	N15	O	Differential debug port 2
	HS_DEBUG2_M	N14	O	
Chip-to-chip cascading synchronization signals	FM_CW_CLKOUT	B15	O	20-GHz single-ended output. Modulated waveform
	FM_CW_SYNCIN1	B1	I	20-GHz single-ended input. Only one of these pins should be used. Multiple instances for layout flexibility.
	FM_CW_SYNCIN2	D15	I	
	FM_CW_SYNCOUT	D1	O	20-GHz single-ended output for onboard loopback if desired
System synchronization	SYNC_OUT	P11	O	Low-frequency synchronization signal output
	SYNC_IN	N10	I	Low-frequency synchronization signal input
SPI control interface from external MCU (default slave mode)	SPI_CS_1	R7	I	SPI chip select
	SPI_CLK_1	R9	I	SPI clock
	MOSI_1	R8	I	SPI data input
	MISO_1	P5	O	SPI data output
	SPI_HOST_INTR_1	P6	O	SPI interrupt to host
	RESERVED	R3, R4, R5, P4		
Reset	NRESET	P12	I	Power on reset for chip. Active low
	WARM_RESET	N12	IO	Open-drain fail-safe warm reset signal. Can be driven from PMIC for diagnostic or can be used as status signal that the device is going through reset.
Safety	NERROR_OUT	N8	O	Open-drain fail-safe output signal. Connected to PMIC/Processor/MCU to indicate that some severe criticality fault has happened. Recovery would be through reset.
	NERROR_IN	P7	I	Fail-safe input to the device. Error output from any other device can be concentrated in the error signaling monitor module inside the device and appropriate action can be taken by firmware

**Table 4-1. Signal Descriptions (continued)**

FUNCTION	SIGNAL NAME	PIN NUMBER	PIN TYPE	DESCRIPTION
JTAG	TMS	L13	I	JTAG port for standard boundary scan
	TCK	M13	I	
	TDI	H13	I	
	TDO	J13	O	
Reference oscillator	CLKP	E14	I	CLKP is the Input and CLKM is the Output to drive crystal
	CLKM	F14	O	
Reference clock	OSC_CLKOUT	A14	O	Reference clock output from clocking subsystem after cleanup PLL. Can be used by slave chip in multichip cascading
Band-gap voltage	VBGAP	B10	O	
Power supply	VDDIN	F13,N11,P15,R6	POW	1.2-V digital power supply
	VIN_SRAM	R14	POW	1.2-V power rail for internal SRAM
	VNWA	P14	POW	1.2-V power rail for SRAM array back bias
	VIOIN	R13	POW	I/O supply (3.3-V or 1.8-V): All CMOS I/Os would operate on this supply.
	VIOIN_18	K13	POW	1.8-V supply for CMOS IO
	VIN_18CLK	B11	POW	1.8-V supply for clock module
	VIOIN_18DIFF	D13	POW	1.8-V supply for CSI2 port
	Reserved	G13	POW	No connect
	VIN_13RF1	G5,J5,H5	POW	1.3-V Analog and RF supply, VIN_13RF1 and VIN_13RF2 could be shorted on the board
	VIN_13RF2	C2,D2	POW	
	VIN_18BB	K5,F5	POW	1.8-V Analog baseband power supply
	VIN_18VCO	B12	POW	1.8-V RF VCO supply
	VSS	E5,E6,E8,E10,E11,F9,F11,G6,G7,G8,G10,H7,H9,H11,J6,J7,J8,J10,K7,K8,K9,K10,K11,L5,L6,L8,L10,R15	GND	Digital ground
	VSSA	A1,A3,A5,A7,A9,A15,B3,B5,B7,B9,B13,B14,C1,C3,C4,C5,C6,C7,C8,C9,C15,E1,E2,E3,E13,E15,F3,G1,G2,G3,H3,J1,J2,J3,K3,L1,L2,L3,M3,N1,N2,N3,R1	GND	Analog ground
Internal LDO output/inputs	VOUT_14APLL1	A10	O	
	VOUT_14SYNTH	A13	O	
	VOUT_PA	A2,B2	O	
External clock out	PMIC_CLK_OUT	P13	O	Dithered clock input to PMIC
	MCU_CLK_OUT	N9	O	Programmable clock given out to external MCU or the processor
General-purpose I/Os	GPIO[0]	N4	IO	General-purpose IO
	GPIO[1]	N7	IO	General-purpose IO
	GPIO[2]	N13	IO	General-purpose IO

Table 4-1. Signal Descriptions (continued)

FUNCTION	SIGNAL NAME	PIN NUMBER	PIN TYPE	DESCRIPTION
QSPI for Serial Flash <sup>(1)</sup>	QSPI_CS	P8	O	Chip-select output from the device. Device is a master connected to serial flash slave.
	QSPI_CLK	R10	O	Clock output from the device. Device is a master connected to serial flash slave.
	QSPI[0]	R11	IO	Data IN/OUT
	QSPI[1]	P9	IO	Data IN/OUT
	QSPI[2]	R12	IO	Data IN/OUT
	QSPI[3]	P10	IO	Data IN/OUT
Flash programming and RS232 UART <sup>(1)</sup>	RS232_TX	N6	O	UART pins for programming external flash in preproduction/debug hardware.
	RS232_RX	N5	I	
Test and Debug output for preproduction phase. Can be pinned out on production hardware for field debug	Analog Test1 / GPADC1	P1	IO	GP ADC channel 1
	Analog Test2 / GPADC2	P2	IO	GP ADC channel 2
	Analog Test3 / GPADC3	P3	IO	GP ADC channel 3
	Analog Test4 / GPADC4	R2	IO	GP ADC channel 4
	ANAMUX / GPADC5	C13	IO	GP ADC channel 5
	VSENSE / GPADC6	C14	IO	GP ADC channel 6

(1) This option is for development/debug in preproduction phase. Can be disabled by firmware pin mux setting.

## 5 Specifications

### 5.1 Absolute Maximum Ratings<sup>(1)(2)</sup>

over operating free-air temperature range (unless otherwise noted)

		MIN	MAX	UNIT
VDDIN	1.2 V digital power supply	-0.5	1.4	V
VIN_SRAM	1.2 V power rail for internal SRAM	-0.5	1.4	V
VNWA	1.2 V power rail for SRAM array back bias	-0.5	1.4	V
VIOIN	I/O supply (3.3 V or 1.8 V): All CMOS I/Os would operate on this supply.	-0.5	3.8	V
VIOIN_18	1.8 V supply for CMOS IO	-0.5	2	V
VIN_18CLK	1.8 V supply for clock module	-0.5	2	V
VIOIN_18DIFF	1.8 V supply for CSI2 port	-0.5	2	V
VIN_13RF1	1.3 V Analog and RF supply, VIN_13RF1 and VIN_13RF2 could be shorted on the board.	-0.5	1.45	V
VIN_13RF2		-0.5	1.45	V
VIN_13RF1 (1-V LDO bypass mode)	Device supports mode where external Power Management block can supply 1 V on VIN_13RF1 and VIN_13RF2 rails. In this configuration, the internal LDO of the device would be kept bypassed.	-0.5	1.4	V
VIN_13RF2 (1-V Internal LDO bypass mode)		-0.5	1.4	V
VIN_18BB	1.8-V Analog baseband power supply	-0.5	2	V
VIN_18VCO supply	1.8-V RF VCO supply	-0.5	2	V
Input and output voltage range	Dual-voltage LVCMOS inputs, 3.3 V or 1.8 V (Steady State)	-0.3V	VIOIN + 0.3	V
	Dual-voltage LVCMOS inputs, operated at 3.3 V/1.8 V (Transient Overshoot/Undershoot)		VIOIN + 20% up to 20% of signal period	
CLKP, CLKM	Input ports for reference crystal	-0.5	2	V
Clamp current	Input or Output Voltages 0.3 V above or below their respective power rails. Limit clamp current that flows through the internal diode protection cells of the I/O.	-20	20	mA
T <sub>J</sub>	Operating junction temperature range	-40	125	°C
T <sub>STG</sub>	Storage temperature range after soldered onto PC board	-55	150	°C

- (1) Stresses beyond those listed under *Absolute Maximum Ratings* may cause permanent damage to the device. These are stress ratings only, and functional operation of the device at these or any other conditions beyond those indicated under *Recommended Operating Conditions* is not implied. Exposure to absolute-maximum-rated conditions for extended periods may affect device reliability.
- (2) All voltage values are with respect to V<sub>SS</sub>, unless otherwise noted.

### 5.2 ESD Ratings

		VALUE	UNIT
V <sub>(ESD)</sub>	Electrostatic discharge	Human-body model (HBM), per AEC Q100-002 <sup>(1)</sup>	±1000
		Charged-device model (CDM), per AEC Q100-011	±250

- (1) AEC Q100-002 indicates that HBM stressing shall be in accordance with the ANSI/ESDA/JEDEC JS-001 specification.

### 5.3 Power-On Hours (POH)<sup>(1)</sup>

OPERATING CONDITION	NOMINAL CVDD VOLTAGE (V)	JUNCTION TEMPERATURE (T <sub>J</sub> )	POWER-ON HOURS [POH] (HOURS)
100% duty cycle	1.2	-40°C	600 (6%)
		75°C	2000 (20%)
		95°C	6500 (65%)
		105°C	900 (9%)

- (1) This information is provided solely for your convenience and does not extend or modify the warranty provided under TI's standard terms and conditions for TI semiconductor products.

## 5.4 Recommended Operating Conditions

over operating free-air temperature range (unless otherwise noted)

		MIN	NOM	MAX	UNIT
VDDIN	1.2 V digital power supply	1.14	1.2	1.32	V
VIN_SRAM	1.2 V power rail for internal SRAM	1.14	1.2	1.32	V
VNWA	1.2 V power rail for SRAM array back bias	1.14	1.2	1.32	V
VIOIN	I/O supply (3.3 V or 1.8 V): All CMOS I/Os would operate on this supply.	3.15	3.3	3.45	V
VIOIN_18	1.8 V supply for CMOS IO	1.71	1.8	1.9	V
VIN_18CLK	1.8 V supply for clock module	1.71	1.8	1.9	V
VIOIN_18DIFF	1.8 V supply for CSI2 port	1.71	1.8	1.9	V
VIN_13RF1	1.3 V Analog and RF supply. VIN_13RF1 and VIN_13RF2 could be shorted on the board	1.23	1.3	1.36	V
VIN_13RF2		1.23	1.3	1.36	V
VIN_13RF1 (1-V Internal LDO bypass mode)	Device supports mode where external Power Management block can supply 1 V on VIN_13RF1 and VIN_13RF2 rails. In this configuration, the internal LDO of the device would be kept bypassed.	0.95	1	1.05	V
VIN_13RF2 (1-V Internal LDO bypass mode)	Device supports mode where external Power Management block can supply 1 V on VIN_13RF1 and VIN_13RF2 rails. In this configuration, the internal LDO of the device would be kept bypassed.	0.95	1	1.05	V
VIN18BB	1.8-V Analog baseband power supply	1.71	1.8	1.9	V
VIN_18VCO	1.8V RF VCO supply	1.71	1.8	1.9	V
V <sub>IH</sub>	Voltage Input High (1.8 V mode)	1.17			V
	Voltage Input High (3.3 V mode)	2.25			
V <sub>IL</sub>	Voltage Input Low (1.8 V mode)			0.63	V
	Voltage Input Low (3.3 V mode)			0.8	
V <sub>OH</sub>	High-level output threshold (I <sub>OH</sub> = 6 mA)	85%*VIOIN			mV
V <sub>OL</sub>	Low-level output threshold (I <sub>OL</sub> = 6 mA)			350	mV
CLKP,CLKM	Voltage Input High	0.96			V
	Voltage Input Low			0.24	

## 5.5 Power Supply Specifications

Table 5-1 describes the four rails from an external power supply block of the AWR1243 device.

**Table 5-1. Power Supply Rails Characteristics**

SUPPLY	DEVICE BLOCKS POWERED FROM THE SUPPLY	RELEVANT IOS IN THE DEVICE
1.8 V	Synthesizer and APLL VCOs, crystal oscillator, IF Amplifier stages, ADC, CSI2	Input: VIN_18VCO, VIN18CLK, VIN_18BB, VIOIN_18DIFF, VIOIN_18IO LDO Output: VOUT_14SYNTH, VOUT_14APLL
1.3 V (or 1 V in internal LDO bypass mode)	Power Amplifier, Low Noise Amplifier, Mixers and LO Distribution	Input: VIN_13RF2, VIN_13RF1 LDO Output: VOUT_PA
3.3 V (or 1.8 V for 1.8 V I/O mode)	Digital I/Os	Input VIOIN
1.2 V	Core Digital and SRAMs	Input: VDDIN, VIN_SRAM

Table 5-2 lists tolerable ripple specifications for 1.3-V (1.0-V) and 1.8-V supply rails.

**Table 5-2. Ripple Specifications**

FREQUENCY (kHz)	RF RAIL		VCO/IF RAIL
	1.0 V (INTERNAL LDO BYPASS) ( $\mu\text{V}_{\text{RMS}}$ )	1.3 V ( $\mu\text{V}_{\text{RMS}}$ )	1.8 V ( $\mu\text{V}_{\text{RMS}}$ )
137.5	7.76	648.73	83.41
275	5.83	76.48	21.27
550	3.44	22.74	11.43
1100	2.53	4.05	6.73
2200	11.29	82.44	13.39
4200	13.65	93.35	19.70
6600	22.91	117.78	29.63

## 5.6 Power Consumption Summary

Table 5-3 and Table 5-4 summarize the power consumption at the power terminals.

**Table 5-3. Maximum Current Ratings at Power Terminals**

PARAMETER	SUPPLY NAME	DESCRIPTION	MIN	TYP	MAX	UNIT
Current consumption	VDDIN, VIN_SRAM, VNWA	Total current drawn by all nodes driven by 1.2V rail			500	mA
	VIN_13RF1, VIN_13RF2	Total current drawn by all nodes driven by 1.3V rail			2000	
	VIOIN_18, VIN_18CLK, VIOIN_18DIFF, VIN_18BB, VIN_18VCO	Total current drawn by all nodes driven by 1.8V rail			850	
	VIOIN	Total current drawn by all nodes driven by 3.3V rail			50	

**Table 5-4. Average Power Consumption at Power Terminals**

PARAMETER	CONDITION		DESCRIPTION	MIN	TYP	MAX	UNIT
Average power consumption	1.0-V internal LDO bypass mode	1TX, 4RX	Sampling: 16.66 MSps complex Transceiver, 40-ms frame time, 512 chirps, 512 samples/chirp, 8.5- $\mu\text{s}$ interchirp time (50% duty cycle) Data Port: MIPI-CSI-2		1.73		W
		2TX, 4RX			1.88		
	1.3-V internal LDO enabled mode	1TX, 4RX			1.92		
		2TX, 4RX			2.1		

### 5.7 RF Specification

over recommended operating conditions (unless otherwise noted)

PARAMETER		MIN	TYP	MAX	UNIT
Receiver	Noise figure	76 to 77 GHz	15		dB
		77 to 81 GHz	16		
	1-dB compression point		-5		dBm
	Maximum gain step		48		dB
	Gain range		24		dB
	Gain step size		2		dB
	IQ gain mismatch		1		dB
	IQ phase mismatch		2		degree
	IF bandwidth <sup>(1)</sup>			15	MHz
	A2D sampling rate (real)			37.5	Msp/s
A2D sampling rate (complex)			18.75	Msp/s	
A2D resolution			12	Bits	
Transmitter	Output power		12		dBm
	Amplitude noise		-145		dBc/Hz
Clock subsystem	Frequency range	76		81	GHz
	Ramp rate			100	MHz/μs
	Phase noise at 1-MHz offset	76 to 77 GHz		-94	
77 to 81 GHz			-91		

(1) The analog IF stages include high-pass filtering, with two independently configurable first-order high-pass corner frequencies. The set of available HPF corners is summarized as follows:

Available HPF Corner Frequencies (kHz)

HPF1	HPF2
175, 235, 350, 700	350, 700, 1400, 2800

The filtering performed by the baseband chain is targeted to provide:

- Less than ±0.5 dB pass-band ripple/droop, and
- Better than 60 dB anti-aliasing attenuation for any frequency that can alias back into the pass-band.

Figure 5-1 shows variations of noise figure and in-band P1dB parameters with respect to receiver gain programmed.

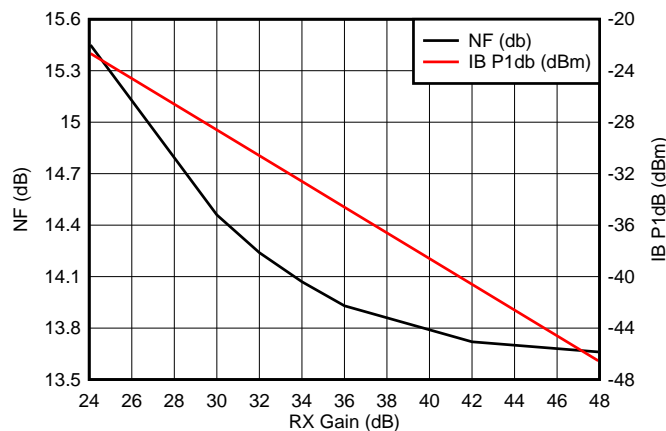


Figure 5-1. Noise Figure, In-band P1dB vs Receiver Gain

Table 5-5 describes the CSI-2 DPHY electrical specifications.



**Table 5-5. CSI-2 DPHY Electrical Specification**

over operating free-air temperature range (unless otherwise noted)

PARAMETER		MIN	TYP	MAX	UNIT
HSTX Driver					
$ V_{OD} $	HS transmit differential voltage <sup>(1)</sup>	140	200	270	mV
$V_{CMTX}$	HS transmit static common-mode voltage <sup>(1)</sup>	150	200	250	mV
$ \Delta V_{OD} $	VOD mismatch when output is Differential-1 or Differential-0			10	mV
$ \Delta V_{CMTX(1,0)} $	VCMTX mismatch when output is Differential-1 or Differential-0			5	mV
$V_{OHHS}$	HS output high voltage <sup>(1)</sup>			360	mV
$Z_{OS}$	Single-ended output impedance	40	50	62.5	$\Omega$
$\Delta Z_{OS}$	Single-ended output impedance mismatch			10%	
LPTX Driver					
$V_{OL}$	Thevenin output low level	-50		50	mV
$V_{OH}$	Thevenin output high level	1.1	1.2	1.3	V
$Z_{OLP}$	Output impedance of LP transmitter	110			$\Omega$

(1) Value when driving into differential load impedance anywhere in the range from 80 to 125  $\Omega$ .

## 5.8 Thermal Resistance Characteristics for FCBGA Package [ABL0161]<sup>(1)</sup>

THERMAL METRICS <sup>(2)</sup>		$^{\circ}\text{C}/\text{W}$ <sup>(3) (4)</sup>
$R_{\theta_{JC}}$	Junction-to-case	4.92
$R_{\theta_{JB}}$	Junction-to-board	6.57
$R_{\theta_{JA}}$	Junction-to-free air	22.3
$R_{\theta_{JMA}}$	Junction-to-moving air	N/A <sup>(1)</sup>
$\Psi_{siJT}$	Junction-to-package top	4.92
$\Psi_{siJB}$	Junction-to-board	6.4

(1) N/A = not applicable

(2) For more information about traditional and new thermal metrics, see [Semiconductor and IC Package Thermal Metrics](#).

(3)  $^{\circ}\text{C}/\text{W}$  = degrees Celsius per watt.

(4) These values are based on a JEDEC-defined 2S2P system (with the exception of the Theta JC [ $R_{\theta_{JC}}$ ] value, which is based on a JEDEC-defined 1S0P system) and will change based on environment as well as application. For more information, see these EIA/JEDEC standards:

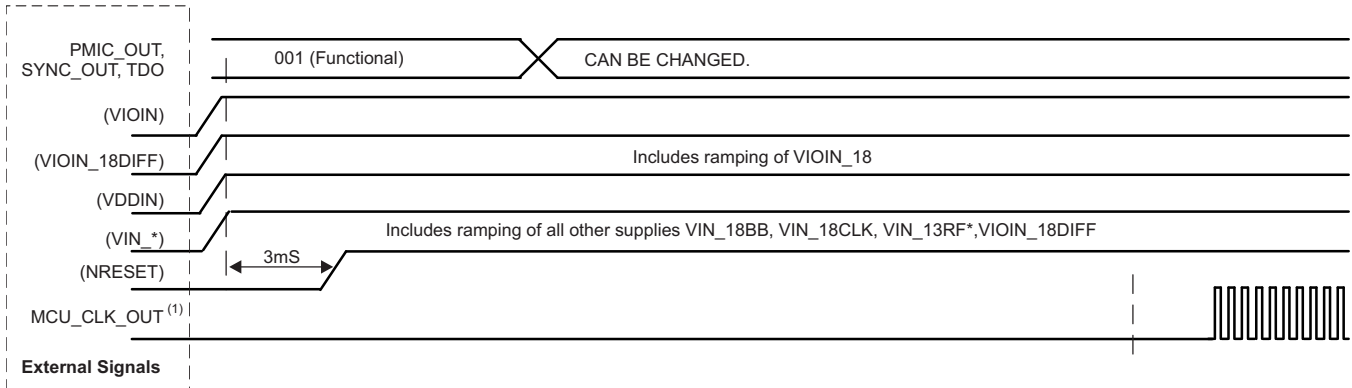
- JESD51-2, *Integrated Circuits Thermal Test Method Environmental Conditions - Natural Convection (Still Air)*
- JESD51-3, *Low Effective Thermal Conductivity Test Board for Leaded Surface Mount Packages*
- JESD51-7, *High Effective Thermal Conductivity Test Board for Leaded Surface Mount Packages*
- JESD51-9, *Test Boards for Area Array Surface Mount Package Thermal Measurements*

A junction temperature of 125 $^{\circ}\text{C}$  is assumed.

## 5.9 Timing and Switching Characteristics

### 5.9.1 Power Supply Sequencing and Reset Timing

The AWR1243 device expects all external voltage rails to be stable before reset is deasserted. Figure 5-2 describes the device wake-up sequence.



(1) MCU\_CLK\_OUT in autonomous mode, where AWR1243 application is booted from the serial flash, MCU\_CLK\_OUT is not enabled by default by the device bootloader.

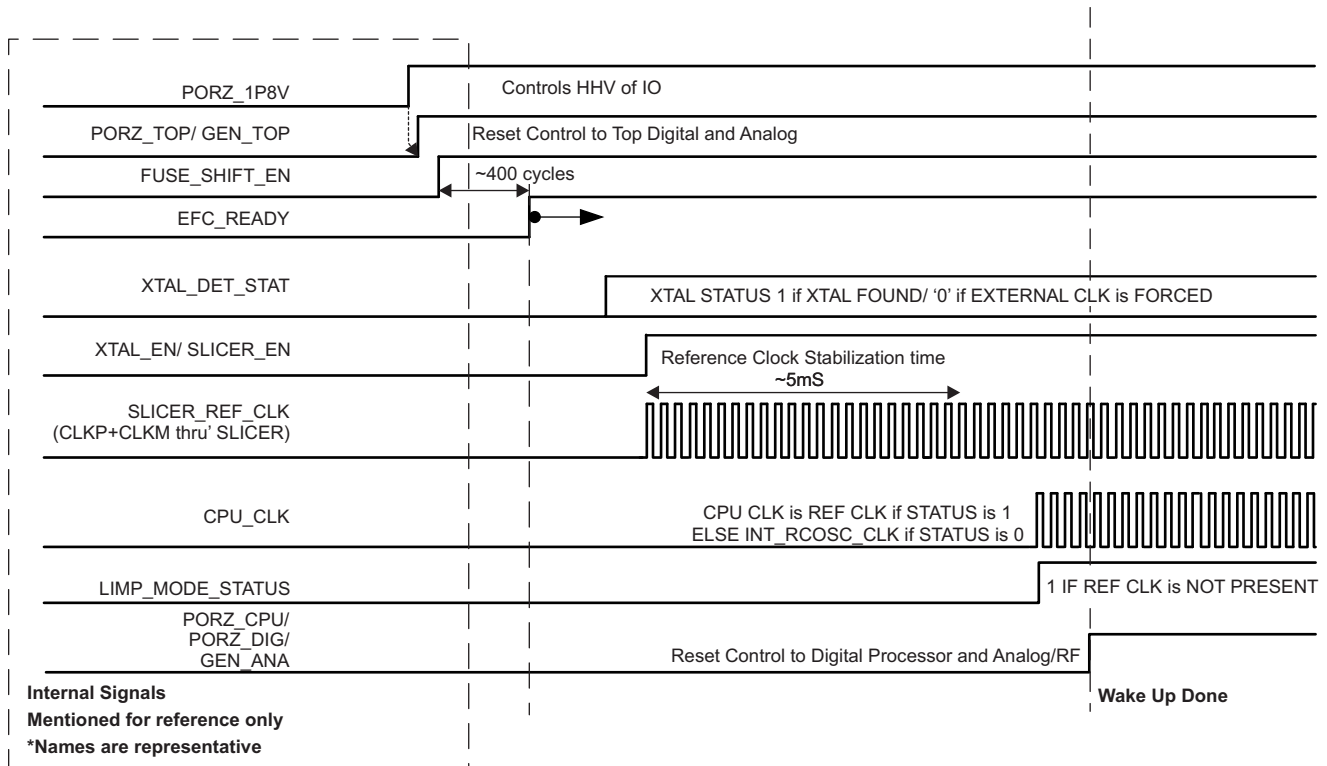


Figure 5-2. Device Wake-up Sequence

ADVANCE INFORMATION

## 5.9.2 Input Clocks and Oscillators

### 5.9.2.1 Clock Specifications

An external crystal is connected to the device pins. Figure 5-3 shows the crystal implementation.

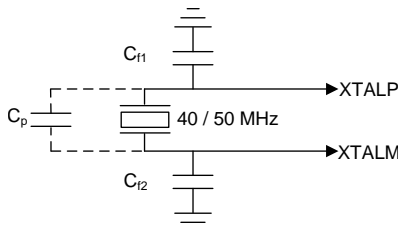


Figure 5-3. Crystal Implementation

#### NOTE

The load capacitors,  $C_{f1}$  and  $C_{f2}$  in Figure 5-3, should be chosen such that Equation 1 is satisfied.  $C_L$  in the equation is the load specified by the crystal manufacturer. All discrete components used to implement the oscillator circuit should be placed as close as possible to the associated oscillator CLKP and CLKM pins.

$$C_L = C_{f1} \times \frac{C_{f2}}{C_{f1} + C_{f2}} + C_P \quad (1)$$

Table 5-6 lists the electrical characteristics of the clock crystal.

Table 5-6. Crystal Electrical Characteristics

NAME	DESCRIPTION	MIN	TYP	MAX	UNIT
$f_p$	Parallel resonance crystal frequency		40, 50		MHz
$C_L$	Crystal load capacitance	5	8	12	pF
ESR	Crystal ESR			50	$\Omega$
Temperature range	Expected temperature range of operation	-40		150	$^{\circ}\text{C}$
Frequency tolerance	Crystal frequency tolerance <sup>(1)(2)</sup>	-50		50	ppm
Drive level			50	200	$\mu\text{W}$

(1) The crystal manufacturer's specification must satisfy this requirement.

(2) Includes initial tolerance of the crystal, drift over temperature, aging and frequency pulling due to incorrect load capacitance.

### 5.9.3 Multibuffered / Standard Serial Peripheral Interface (MibSPI)

#### 5.9.3.1 Peripheral Description

The MibSPI/SPI is a high-speed synchronous serial input/output port that allows a serial bit stream to be shifted into and out of the device at a programmed bit-transfer rate. The MibSPI/SPI is normally used for communication between the microcontroller and external peripherals or another microcontroller.

Table 5-8 and Table 5-9 assume the operating conditions stated in Table 5-7. Table 5-8, Table 5-9, and Figure 5-4 describe the timing and switching characteristics of the MibSPI transmit and receive RAM organization.

**Table 5-7. SPI Timing Conditions**

		MIN	TYP	MAX	UNIT
Input Conditions					
$t_R$	Input rise time	1		3	ns
$t_F$	Input fall time	1		3	ns
Output Conditions					
$C_{LOAD}$	Output load capacitance	2		15	pF

**Table 5-8. SPI Slave Mode Switching Parameters (SPICLK = input, SPISIMO = input, and SPISOMI = output)<sup>(1)</sup>**

NO.	PARAMETER		MIN	TYP	MAX	UNIT
1	$t_{c(SPC)S}$	Cycle time, SPICLK	25			ns
2	$t_{w(SPCH)S}$	Pulse duration, SPICLK high (clock polarity = 0)	10			ns
3	$t_{w(SPCL)S}$	Pulse duration, SPICLK low (clock polarity = 0)	10			ns
4	$t_{d(SPCH-SOMI)S}$	Delay time, SPISOMI valid after SPICLK high (clock polarity = 0)			10	ns
5	$t_{h(SPCH-SOMI)S}$	Hold time, SPISOMI data valid after SPICLK high (clock polarity = 0)	2			ns

(1) The mode of operation is mode 0 (clock polarity = 0 ; clock phase = 0).

**Table 5-9. SPI Slave Mode Timing Requirements (SPICLK = input, SPISIMO = input, and SPISOMI = output)**

NO.			MIN	TYP	MAX	UNIT
1	$t_{su(SIMO-SPCL)S}$	Setup time, SPISIMO before SPICLK low (clock polarity = 0)	3			ns
2	$t_{h(SPCL-SIMO)S}$	Hold time, SPISIMO data valid after SPICLK low (clock polarity = 0)	0			ns

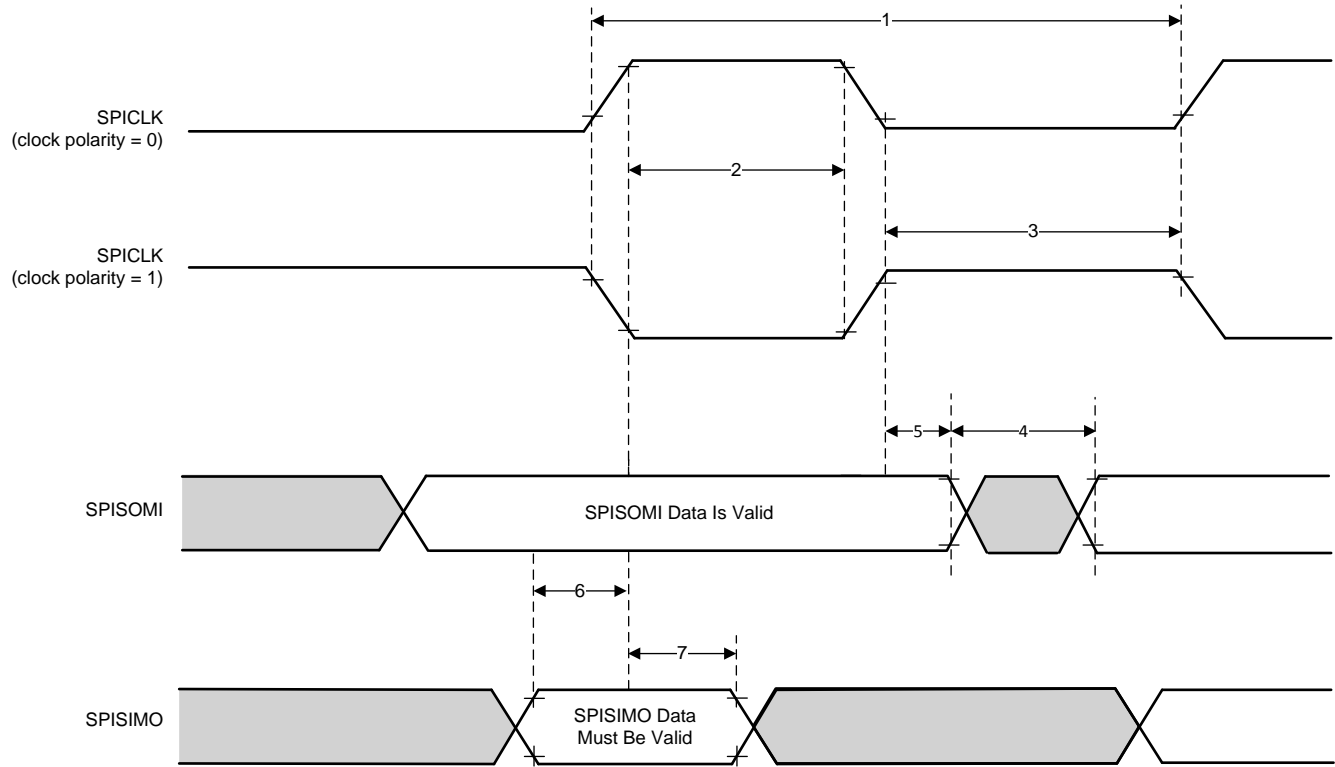


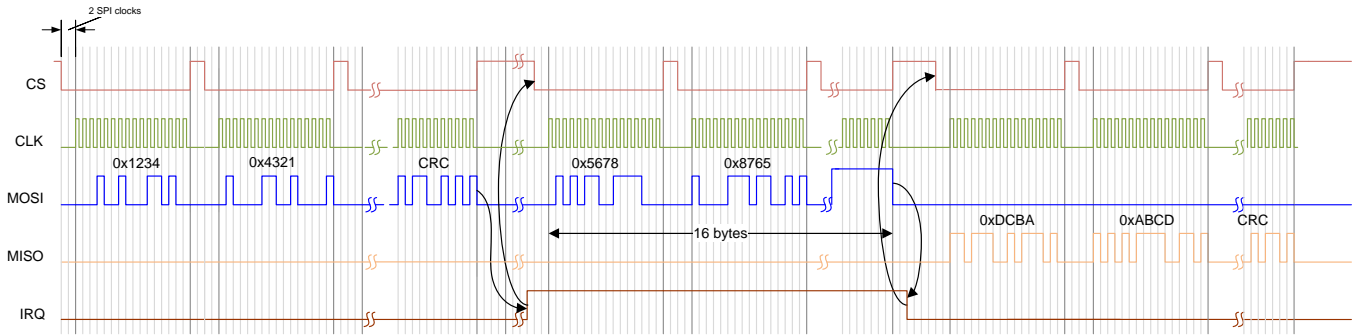
Figure 5-4. SPI Slave Mode External Timing

ADVANCE INFORMATION

**5.9.3.2 Typical Interface Protocol Diagram (Slave Mode)**

1. Host should ensure that there is a delay of two SPI clocks between CS going low and start of SPI clock.
2. Host should ensure that CS is toggled for every 16 bits of transfer through SPI.

Figure 5-5 shows the SPI communication timing of the typical interface protocol.



**Figure 5-5. SPI Communication**

### 5.9.4 General-Purpose Input/Output

Table 5-10 lists the switching characteristics of output timing relative to load capacitance.

**Table 5-10. Switching Characteristics for Output Timing versus Load Capacitance ( $C_L$ )<sup>(1)(2)</sup>**

PARAMETER		TEST CONDITIONS		VIOIN = 1.8V	VIOIN = 3.3V	UNIT
$t_r$	Max rise time	Slew control = 0	$C_L = 20$ pF	2.878	3.013	ns
			$C_L = 50$ pF	6.446	6.947	
			$C_L = 75$ pF	9.43	10.249	
$t_f$	Max fall time		$C_L = 20$ pF	2.827	2.883	ns
			$C_L = 50$ pF	6.442	6.687	
			$C_L = 75$ pF	9.439	9.873	
$t_r$	Max rise time	Slew control = 1	$C_L = 20$ pF	3.307	3.389	ns
			$C_L = 50$ pF	6.77	7.277	
			$C_L = 75$ pF	9.695	10.57	
$t_f$	Max fall time		$C_L = 20$ pF	3.128	3.128	ns
			$C_L = 50$ pF	6.656	6.656	
			$C_L = 75$ pF	9.605	9.605	

(1) Slew control, which is configured by PADxx\_CFG\_REG, changes behavior of the output driver (faster or slower output slew rate).

(2) The rise/fall time is measured as the time taken by the signal to transition from 10% and 90% of VIOIN voltage.

### 5.9.5 Camera Serial Interface (CSI)

The CSI is a MIPI D-PHY compliant interface for connecting this device to a camera receiver module. This interface is made of four differential lanes; each lane is configurable for carrying data or clock. The polarity of each wire of a lane is also configurable. Table 5-11, Figure 5-6, Figure 5-7, and Figure 5-8 describe the clock and data timing of the CSI.

**Table 5-11. CSI Switching Characteristics**

over operating free-air temperature range (unless otherwise noted)

PARAMETER			MIN	TYP	MAX	UNIT
<b>HPTX</b>						
HSTX <sub>DBR</sub>	Data bit rate	(1 or 2 data lane PHY)	150		900	Mbps
		(4 data lane PHY)	150		600	
f <sub>CLK</sub>	DDR clock frequency	(1 or 2 data lane PHY)	75		450	MHz
		(4 data lane PHY)	75		300	
Δ <sub>VCMTX(LF)</sub>	Common-level variation from 75 to 450 MHz of CSI2 clock frequency		-50		50	mV <sub>peak</sub>
t <sub>R</sub> and t <sub>F</sub>	20% to 80% rise time and fall time		150			ns
					0.3	UI
<b>LPTX DRIVER</b>						
t <sub>RLP</sub> and t <sub>FLP</sub>	15% to 85% rise time and fall time				25	ns
t <sub>EOT</sub> <sup>(1)</sup>	Time from start of THS-TRAIL period to start of LP-11 state				105 + 12*UI	ns
δV/δt <sub>SR</sub> <sup>(2)(3)(4)</sup>	Slew rate. C <sub>LOAD</sub> = 0 to 5 pF				500	mV/ns
	Slew rate. C <sub>LOAD</sub> = 5 to 20 pF				200	
	Slew rate. C <sub>LOAD</sub> = 20 to 70 pF				100	
C <sub>LOAD</sub> <sup>(2)</sup>	Load capacitance		0		70	pF
<b>DATA-CLOCK Timing Specification</b>						
UINOM	Nominal unit interval (1, 2, or 3 data lane PHY)		1.11		13.33	ns
	Nominal unit interval (4 data lane PHY)		1.67		13.33	
UIINST,MIN	Minimum instantaneous Unit Interval (1, 2, or 3 data lane PHY)		1.033	0.975*U INOM – 0.05		ns
	Minimum instantaneous Unit Interval (4 data lane PHY)		1.131			
TSKEW[TX]	Data to clock skew measured at transmitter		-0.15		0.15	UIINST, MIN
<b>CSI2 TIMING SPECIFICATION</b>						
T <sub>CLK-MISS</sub>	Time-out for receiver to detect absence of clock transitions and disable the clock lane HS-RX.				60	ns
T <sub>CLK-POST</sub>	Time that the transmitter continues to send HS clock after the last associated data lane has transitioned to lp mode. Interval is defined as the period from the end of T <sub>HS-TRAIL</sub> to the beginning of T <sub>CLK-TRAIL</sub> .		60 ns + 52*UI			ns
T <sub>CLK-PRE</sub>	Time that the HS clock shall be driven by the transmitter before any associated data lane beginning the transition from LP to HS mode.		8			ns
T <sub>CLK-PREPARE</sub>	Time that the transmitter drives the clock lane LP-00 line state immediately before the HS-0 line state starting the HS transmission.		38		95	ns
T <sub>CLK-SETTLE</sub>	Time interval during which the HS receiver should ignore any clock lane HS transitions, starting from the beginning of T <sub>CLK-PREPARE</sub> .		95		300	ns

- (1) With an additional load capacitance CCM of 0 to 60 pF on the termination center tap at RX side of the lane
- (2) While driving C<sub>LOAD</sub>. Load capacitance includes 50 pF of transmission line capacitance, and 10 pF each for TX and RX.
- (3) When the output voltage is from 15% to 85% of the fully settled LP signal levels
- (4) Measured as average across any 50 mV segment of the output signal transition



**Table 5-11. CSI Switching Characteristics (continued)**

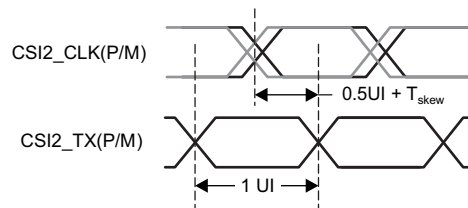
over operating free-air temperature range (unless otherwise noted)

PARAMETER		MIN	TYP	MAX	UNIT
$T_{CLK-TERM-EN}$	Time for the clock lane receiver to enable the HS line termination, starting from the time point when Dn crosses $V_{IL,MAX}$ .	Time for Dn to reach $V_{TERM-EN}$		38	ns
$T_{CLK-TRAIL}$	Time that the transmitter drives the HS-0 state after the last payload clock bit of a HS transmission burst.	60			ns
$T_{CLK-PREPARE} + T_{CLK-ZERO}$	$T_{CLK-PREPARE}$ + time that the transmitter drives the HS-0 state before starting the clock.	300			ns
$T_{D-TERM-EN}$	Time for the data lane receiver to enable the HS line termination, starting from the time point when Dn crosses $V_{IL,MAX}$ .	Time for Dn to reach $V_{TERM-EN}$		$35 \text{ ns} + 4 * UI$	ns
$T_{EOT}$	Transmitted time interval from the start of $T_{HS-TRAIL}$ or $T_{CLKTRAIL}$ to the start of the LP-11 state following a HS burst.			$105 \text{ ns} + n * 12 * UI$	ns
$T_{HS-PREPARE}$	Time that the transmitter drives the data lane LP-00 line state immediately before the HS-0 line state starting the HS transmission	$40 + 4 * UI$		$85 + 6 * UI$	ns
$T_{HS-PREPARE} + T_{HS-ZERO}$	$T_{HS-PREPARE}$ + time that the transmitter drives the HS-0 state prior to transmitting the Sync sequence.	$145 \text{ ns} + 10 * UI$			ns
$T_{HS-SETTLE}$	Time interval during which the HS receiver shall ignore any data lane HS transitions, starting from the beginning of $T_{HSPREPARE}$ . The HS receiver shall ignore any data lane transitions before the minimum value, and the HS receiver shall respond to any data lane transitions after the maximum value.	$85 \text{ ns} + 6 * UI$		$145 \text{ ns} + 10 * UI$	ns
$T_{HS-SKIP}$	Time interval during which the HS-RX should ignore any transitions on the data lane, following a HS burst. The end point of the interval is defined as the beginning of the LP-11 state following the HS burst.	40		$55 \text{ ns} + 4 * UI$	ns
$T_{HS-EXIT}$	Time that the transmitter drives LP-11 following a HS burst.	100			ns
$T_{HS-TRAIL}$	Time that the transmitter drives the flipped differential state after last payload data bit of a HS transmission burst			$\max(n * 8 * UI, 60 \text{ ns} + n * 4 * UI)^{(5)(6)}$	ns
$T_{LPX}$	Transmitted length of any low-power state period			$50^{(7)}$	ns

(5) If  $a > b$  then  $\max(a, b) = a$ , otherwise  $\max(a, b) = b$ .

(6) Where  $n = 1$  for Forward-direction HS mode and  $n = 4$  for Reverse-direction HS mode

(7)  $T_{LPX}$  is an internal state machine timing reference. Externally measured values may differ slightly from the specified values due to asymmetrical rise and fall times.



**Figure 5-6. Clock and Data Timing in HS Transmission**

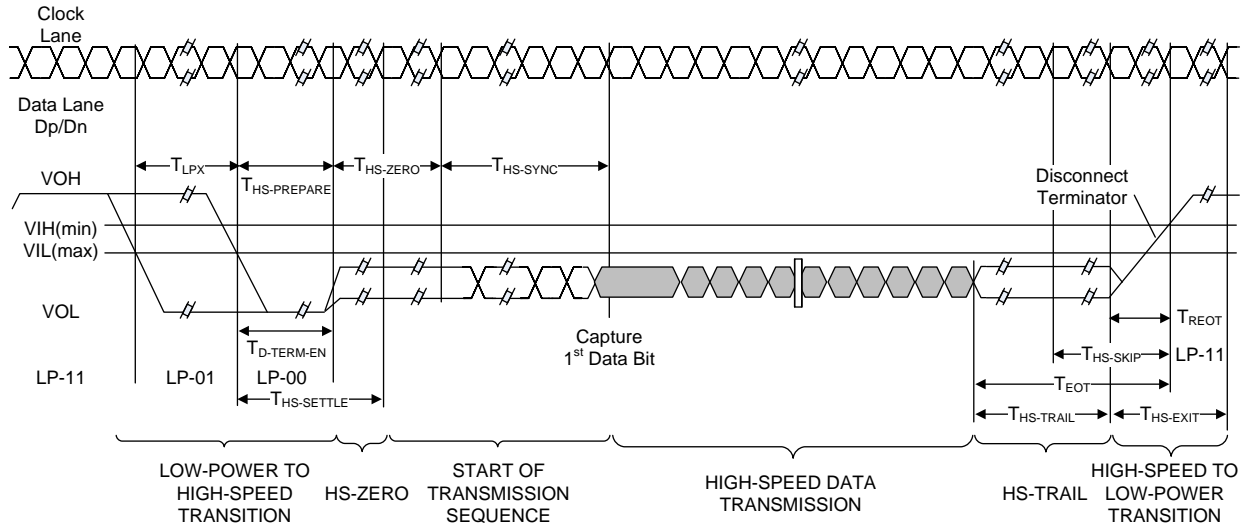


Figure 5-7. High-Speed Data Transmission Burst

ADVANCE INFORMATION

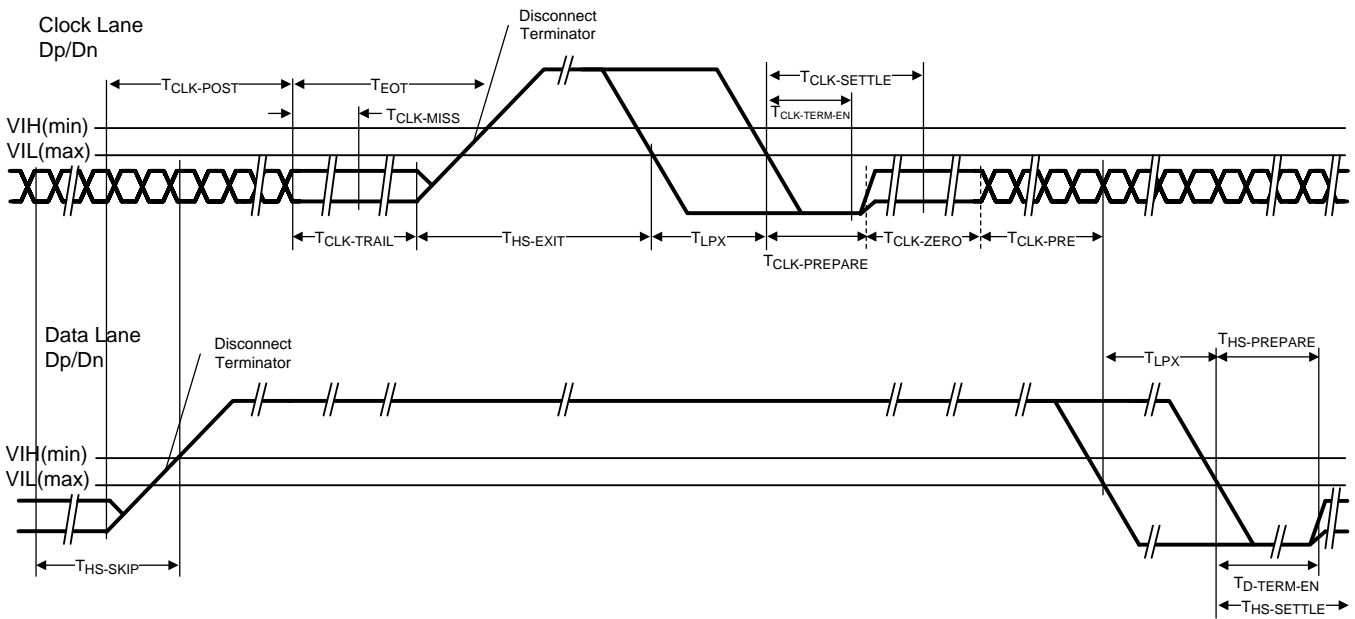


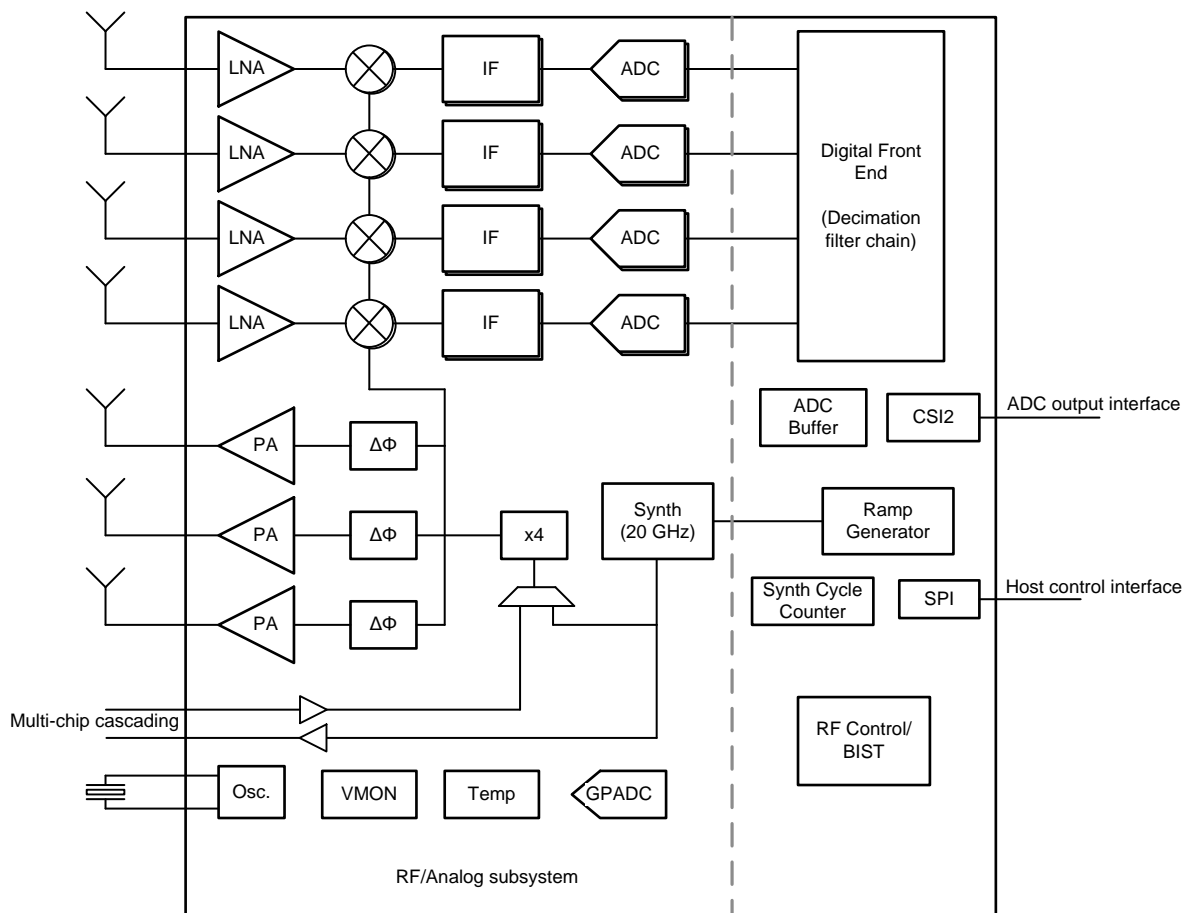
Figure 5-8. Switching the Clock Lane Between Clock Transmission and Low-Power Mode

## 6 Detailed Description

### 6.1 Overview

The AWR1243 device is a single-chip highly integrated 77-GHz transceiver and front end that includes three transmit and four receive chains. The device can be used in long-range automotive radar applications such as automatic emergency braking and automatic adaptive cruise control. The AWR1243 has extremely small form factor and provides ultra-high resolution with very low power consumption. This device, when used with the TDA3X or TD2X, offers higher levels of performance and flexibility through a programmable digital signal processor (DSP); thus addressing the standard short-, mid-, and long-range automotive radar applications.

### 6.2 Functional Block Diagram



ADVANCE INFORMATION

### 6.3 Subsystems

#### 6.3.1 RF and Analog Subsystem

The RF and analog subsystem includes the RF and analog circuitry – namely, the synthesizer, PA, LNA, mixer, IF, and ADC. This subsystem also includes the crystal oscillator and temperature sensors. The three transmit channels can be operated up to a maximum of two at a time (simultaneously) for transmit beamforming purpose as required; whereas the four receive channels can all be operated simultaneously.

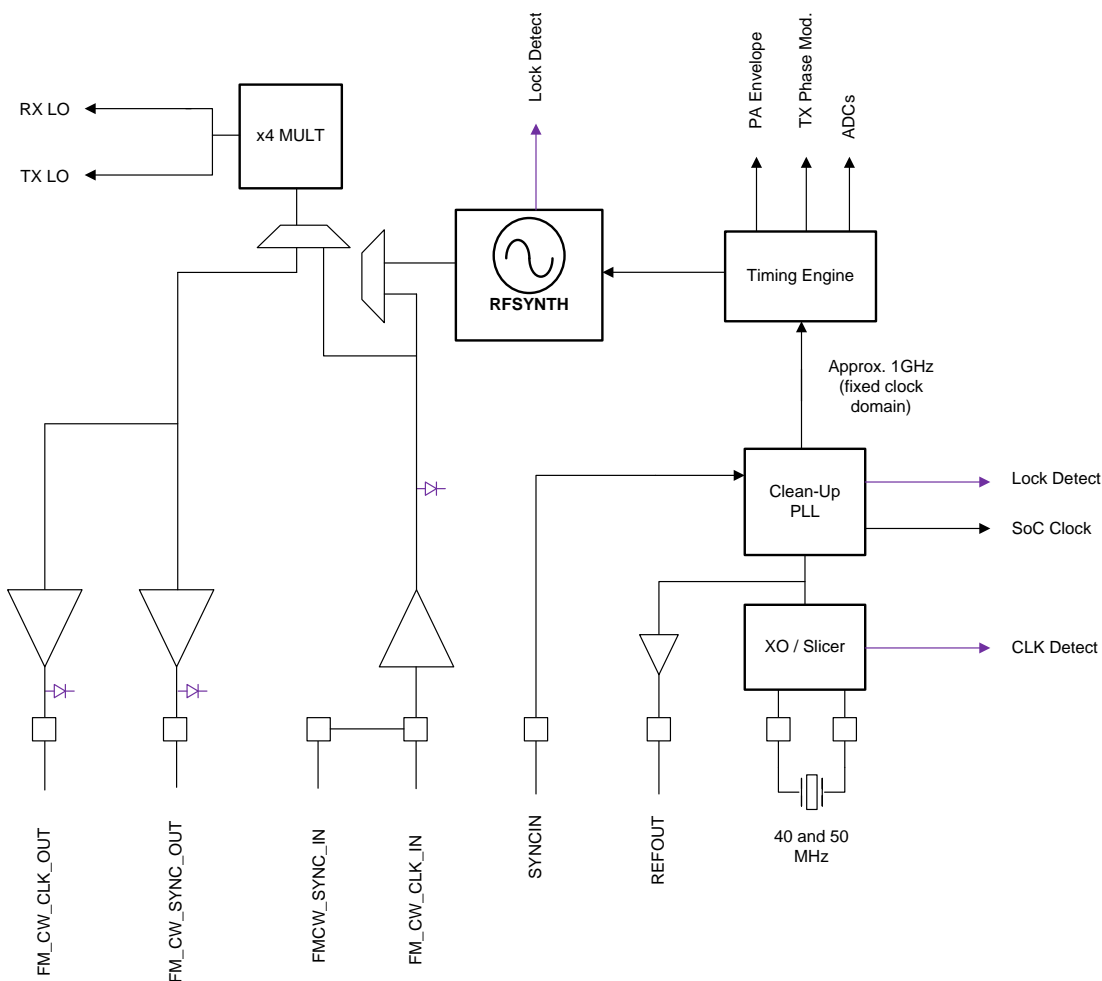
### 6.3.1.1 Clock Subsystem

The AWR1243 clock subsystem generates 76 to 81 GHz from an input reference of 40-MHz crystal. It has a built-in oscillator circuit followed by a clean-up PLL and a RF synthesizer circuit. The output of the RF synthesizer is then processed by an X4 multiplier to create the required frequency in the 76- to 81-GHz spectrum. The RF synthesizer output is modulated by the timing engine block to create the required waveforms for effective sensor operation.

The output of the RF synthesizer is available at the device pin boundary for multichip cascaded configuration. The clean-up PLL also provides a reference clock for the host processor after system wakeup.

The clock subsystem also has built-in mechanisms for detecting the presence of a crystal and monitoring the quality of the generated clock.

Figure 6-1 describes the clock subsystem.



Copyright © 2017, Texas Instruments Incorporated

**Figure 6-1. Clock Subsystem**

### 6.3.1.2 Transmit Subsystem

The AWR1243 transmit subsystem consists of three parallel transmit chains, each with independent phase and amplitude control. A maximum of two transmit chains can be operational at the same time. However all three chains can be operated together in a time-multiplexed fashion. The device supports binary phase modulation for MIMO radar and interference mitigation.

Each transmit chain can deliver a maximum of 12 dBm at the antenna port on the PCB. The transmit chains also support programmable backoff for system optimization.

Figure 6-2 describes the transmit subsystem.

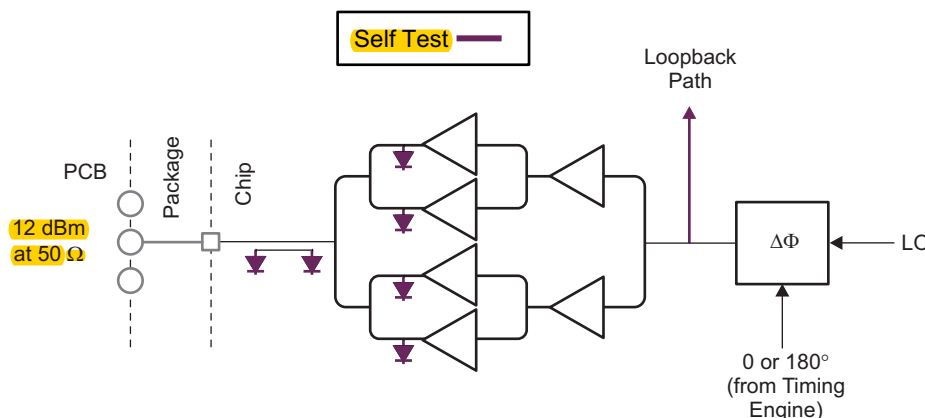


Figure 6-2. Transmit Subsystem (Per Channel)

### 6.3.1.3 Receive Subsystem

The AWR1243 receive subsystem consists of four parallel channels. A single receive channel consists of an LNA, mixer, IF filtering, A2D conversion, and decimation. All four receive channels can be operational at the same time an individual power-down option is also available for system optimization.

Unlike conventional real-only receivers, the AWR1243 device supports a complex baseband architecture, which uses quadrature mixer and dual IF and ADC chains to provide complex I and Q outputs for each receiver channel. The AWR1243 is targeted for fast chirp systems. The band-pass IF chain has configurable lower cutoff frequencies above 350 kHz and can support bandwidths up to 15 MHz.

Figure 6-3 describes the receive subsystem.

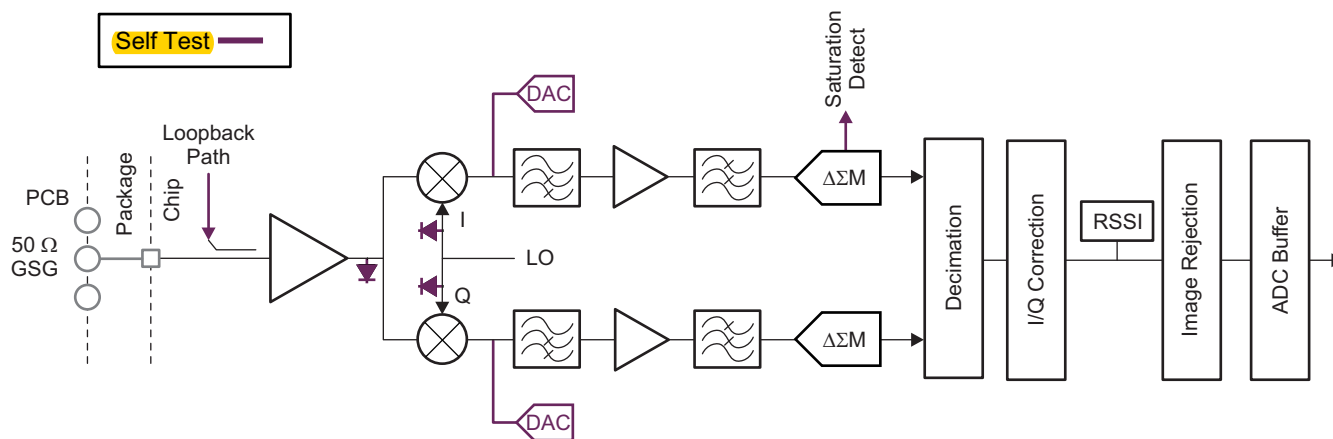


Figure 6-3. Receive Subsystem (Per Channel)

### 6.3.2 Host Interface

The AWR1243 device communicates with the host radar processor over the following main interfaces:

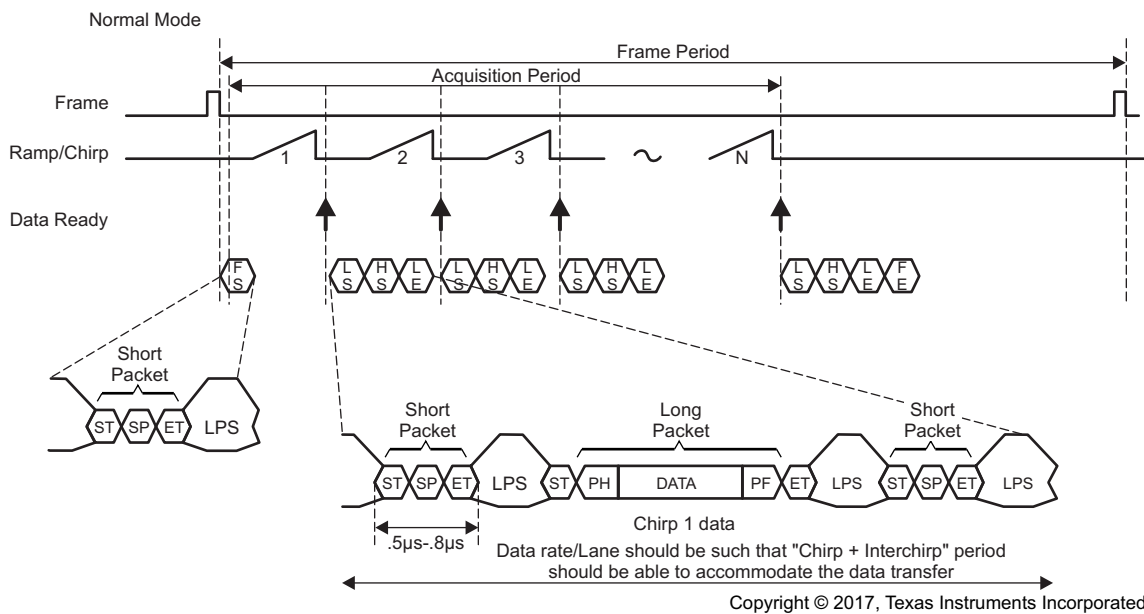
- Reference Clock – Reference clock available for host processor after device wakeup
- Control – 4-port standard SPI (slave) for host control. All radio control commands (and response) flow through this interface.
- Data – High-speed serial port following the MIPI CSI2 format. Four data and one clock lane (all differential). Data from different receive channels can be multiplexed on a single data lane to optimize board routing. This is a unidirectional interface used for data transfer only.
- Reset – Active-low reset for device wakeup from host
- Out-of-band interrupt
- Error – Used for notifying the host in case the radio controller detects a fault

### 6.4 Other Subsystems

#### 6.4.1 A2D Data Format Over CSI2 Interface

The AWR1243 device uses MIPI D-PHY / CSI2-based format to transfer the raw A2D samples to the external MCU. This is shown in Figure 6-4.

- Supports four data lanes
- CSI-2 data rate scalable from 150 Mbps to 900 Mbps per lane (If four lanes are used simultaneously then the maximum data rate supported is 600 Mbps per lane)
- Virtual channel based
- CRC generation



Frame Start – CSI2 VSYNC Start Short Packet  
 Line Start – CSI2 HSYNC Start Short Packet  
 Line End – CSI2 HSYNC End Short Packet  
 Frame End – CSI2 VSYNC End Short Packet

**Figure 6-4. CSI-2 Transmission Format**

The data payload is constructed with the following three types of information:

- Chirp profile information
- The actual chirp number
- A2D data corresponding to chirps of all four channels
  - Interleaved fashion
- Chirp quality data (configurable)

The payload is then split across the four physical data lanes and transmitted to the receiving D-PHY. The data packet packing format is shown in Figure 6-5

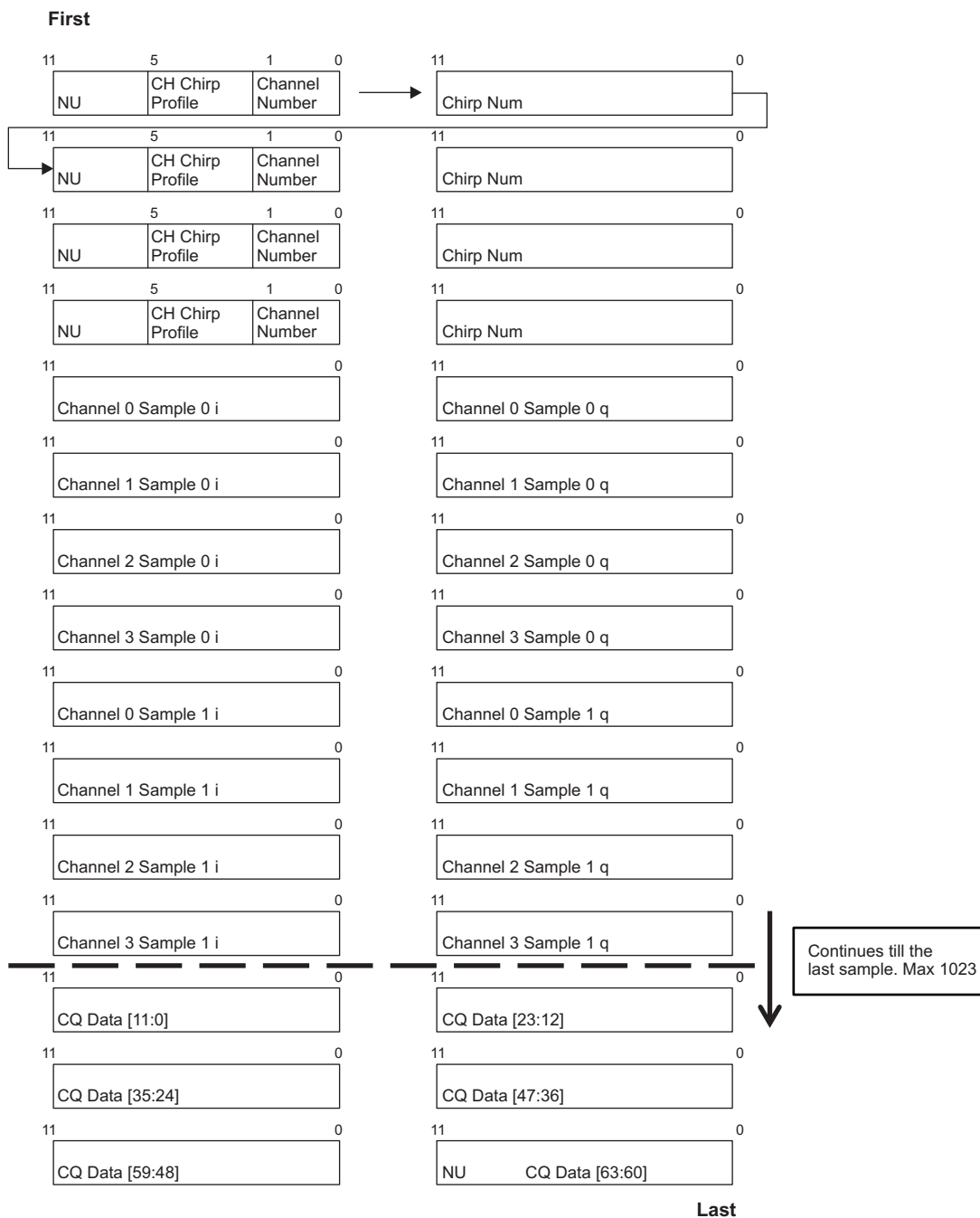


Figure 6-5. Data Packet Packing Format for 12-Bit Complex Configuration

ADVANCE INFORMATION

## 7 Applications, Implementation, and Layout

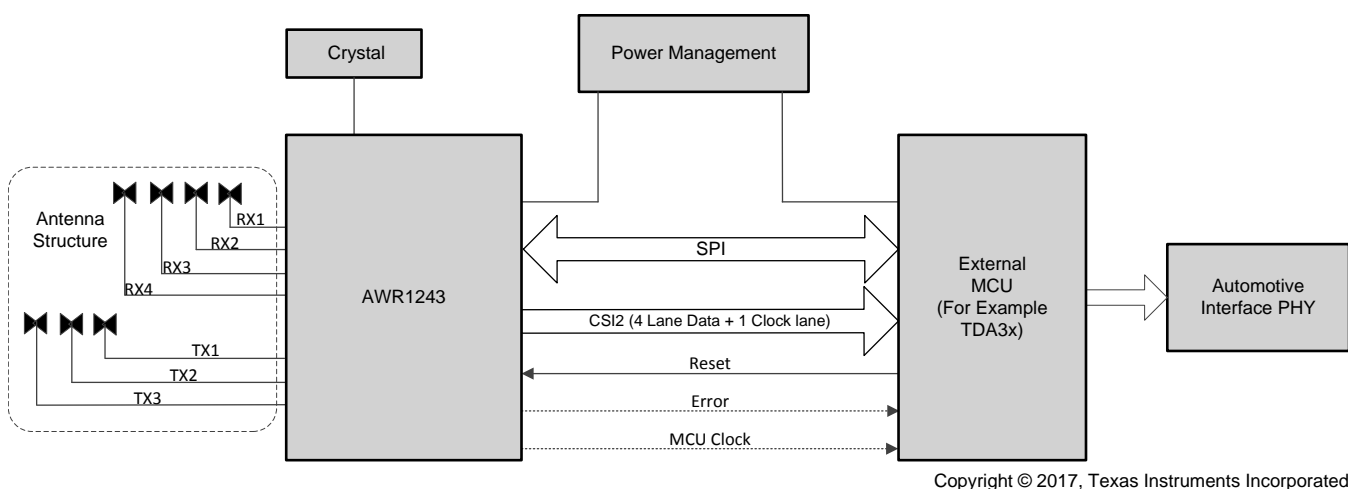
### NOTE

Information in the following Applications section is not part of the TI component specification, and TI does not warrant its accuracy or completeness. TI's customers are responsible for determining suitability of components for their purposes. Customers should validate and test their design implementation to confirm system functionality.

### 7.1 Application Information

A typical application addresses the standard short-, mid-, long-range, and high-performance imaging radar applications with this radar front end and external programmable MCU. [Figure 7-1](#) shows a short-, medium-, or long-range radar application.

### 7.2 Short-, Medium-, and Long-Range Radar

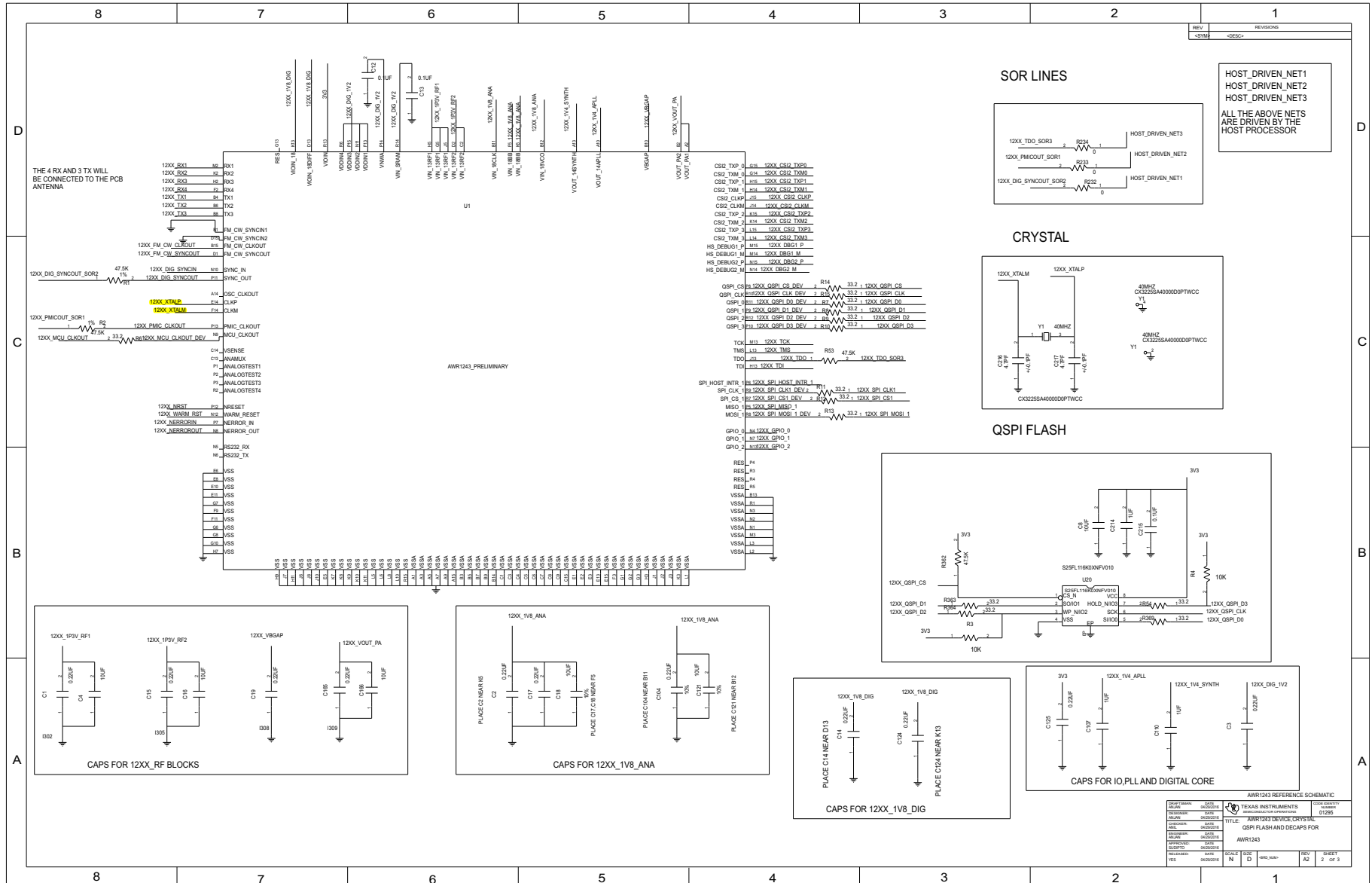


**Figure 7-1. Short-, Medium-, and Long-Range Radar**

### 7.3 Reference Schematic

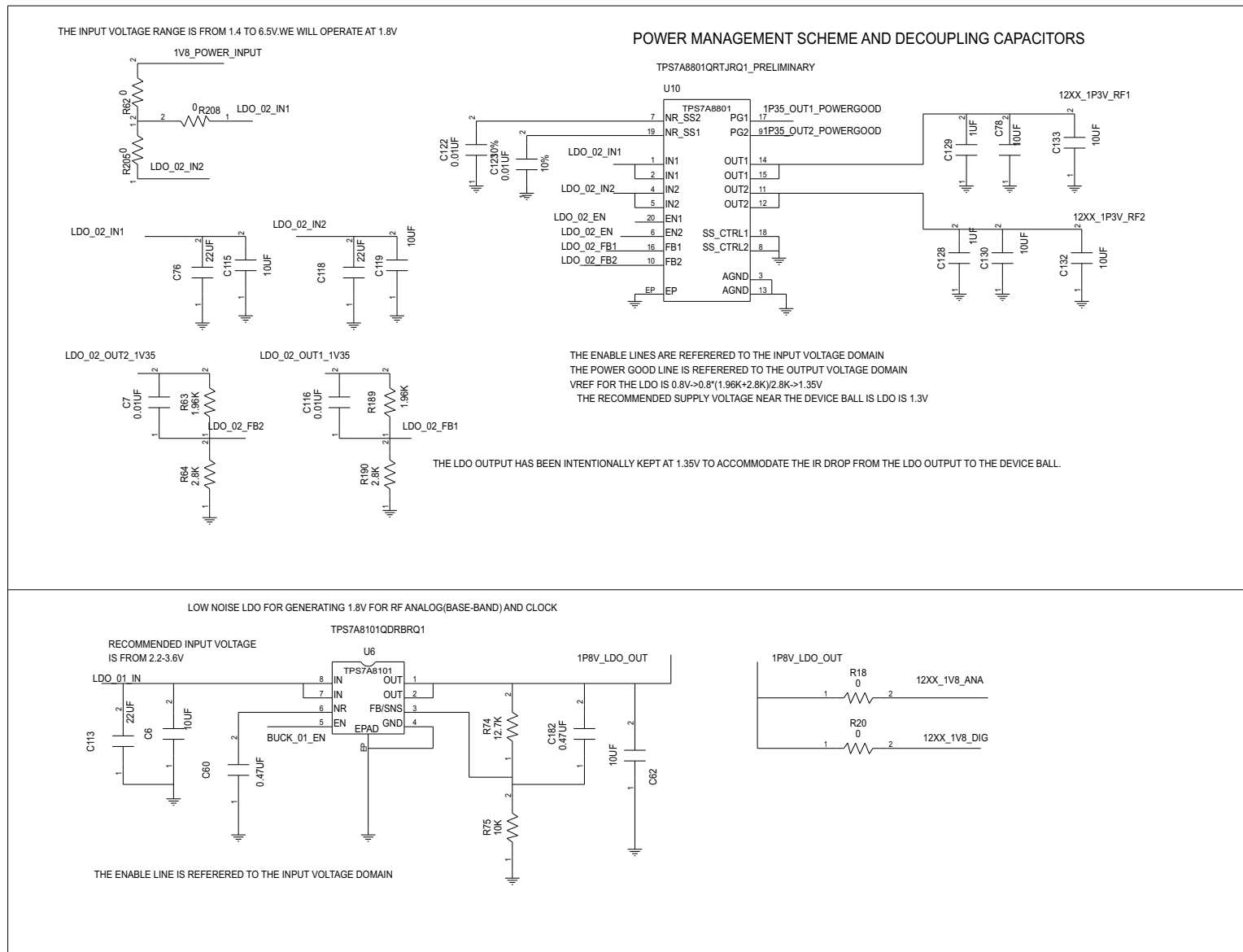
[Figure 7-2](#) and [Figure 7-3](#) show the reference schematic and low-noise LDO circuitry for the AWR1243 device.





ADVANCE INFORMATION

Figure 7-2. AWR1243 Reference Schematic



Copyright © 2017, Texas Instruments Incorporated

Figure 7-3. AWR1243 Low-Noise LDO Circuitry

## 7.4 Layout

The top layer routing, top layer closeup, and bottom layer routing are shown in [Figure 7-4](#), [Figure 7-5](#), and [Figure 7-6](#), respectively.

### 7.4.1 Layout Guidelines

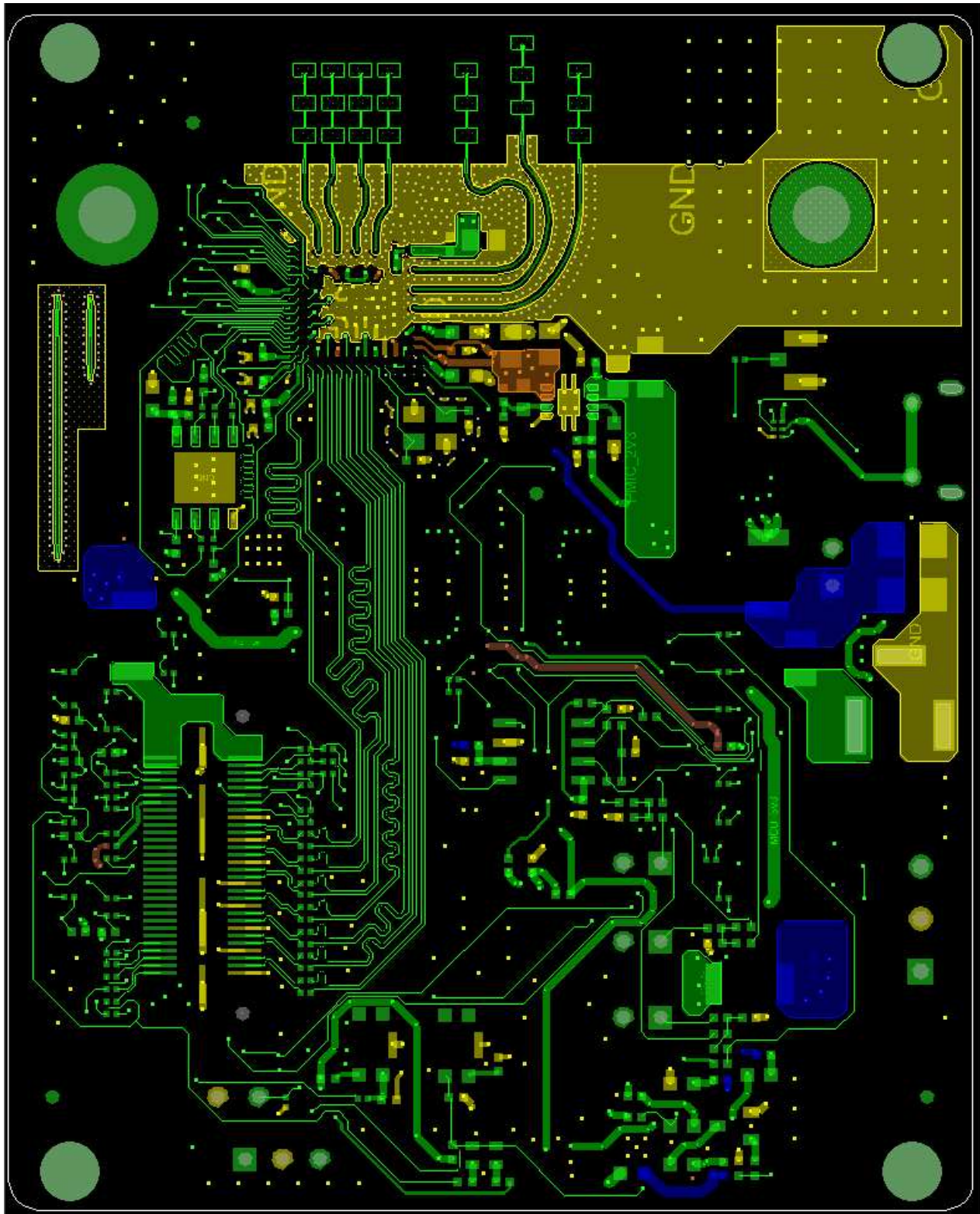


Figure 7-4. Top Layer Routing

ADVANCE INFORMATION





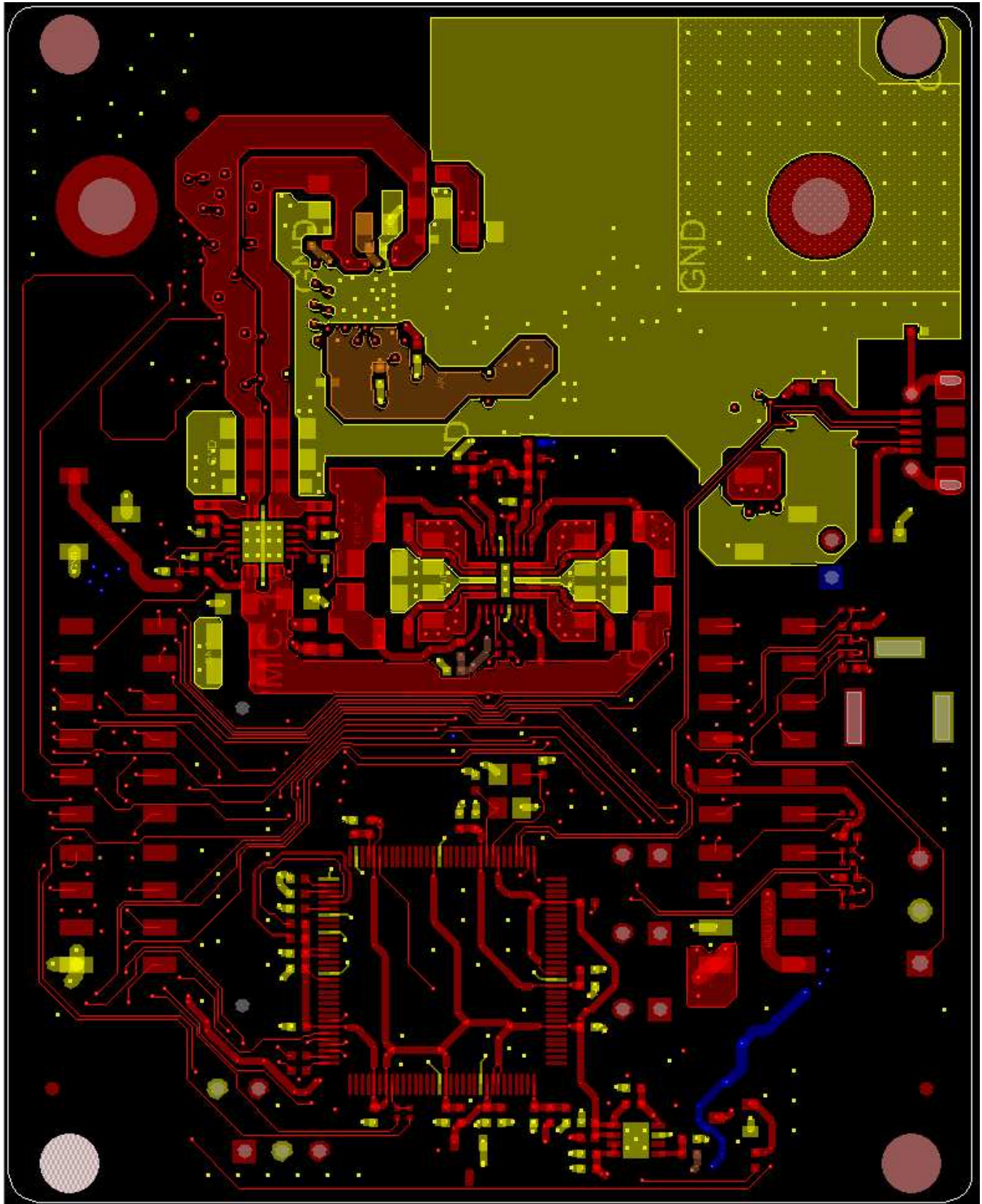
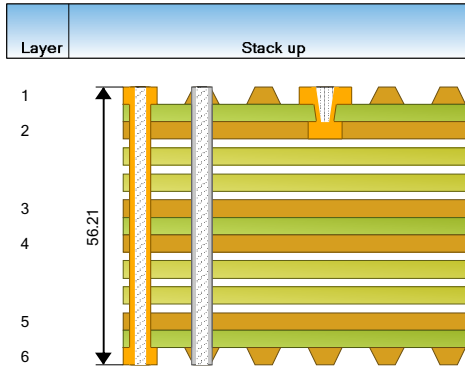


Figure 7-6. Bottom Layer Routing

**7.4.2 Stackup Details**



Layer	Stack up	Description	Type	Base Thickness	Processed Thickness	er	Copper Coverage
1		Rogers 4835 4mil coreH/1 Low Pro	Rogers 4835	0.689	2.067		100.000
2				4.000	4.000	3.480	
				1.260	1.260		73.000
		Iteq IT 180A Prepreg 1080	Dielectric	4.195	2.830	3.700	
		Iteq IT 180A Prepreg 1080	Dielectric	4.195	2.830	3.700	
3				1.260	1.260		69.000
		Iteq IT 180A 28 mil core 1/1	FR4	28.000	28.000	4.280	
4				1.260	1.260		48.000
		Iteq IT 180A Prepreg 1080	Dielectric	4.195	2.691	3.700	
		Iteq IT 180A Prepreg 1080	Dielectric	4.195	2.691	3.700	
5				1.260	1.260		72.000
		Iteq IT 180A 4 mil core 1/H	FR4	4.000	4.000	3.790	
6				0.689	2.067		100.000

**ADVANCE INFORMATION**

## 8 Device and Documentation Support

TI offers an extensive line of development tools. Tools and software to evaluate the performance of the device, generate code, and develop solutions follow.

### 8.1 Device Nomenclature

To designate the stages in the product development cycle, TI assigns prefixes to the part numbers of all microprocessors (MPUs) and support tools. Each device has one of three prefixes: X, P, or null (no prefix) (for example, *AWR1243*). Texas Instruments recommends two of three possible prefix designators for its support tools: TMDX and TMDS. These prefixes represent evolutionary stages of product development from engineering prototypes (TMDX) through fully qualified production devices and tools (TMDS).

Device development evolutionary flow:

- X** Experimental device that is not necessarily representative of the final device's electrical specifications and may not use production assembly flow.
- P** Prototype device that is not necessarily the final silicon die and may not necessarily meet final electrical specifications.
- null** Production version of the silicon die that is fully qualified.

Support tool development evolutionary flow:

- TMDX** Development-support product that has not yet completed Texas Instruments internal qualification testing.
- TMDS** Fully-qualified development-support product.

X and P devices and TMDX development-support tools are shipped against the following disclaimer:

"Developmental product is intended for internal evaluation purposes."

Production devices and TMDS development-support tools have been characterized fully, and the quality and reliability of the device have been demonstrated fully. TI's standard warranty applies.

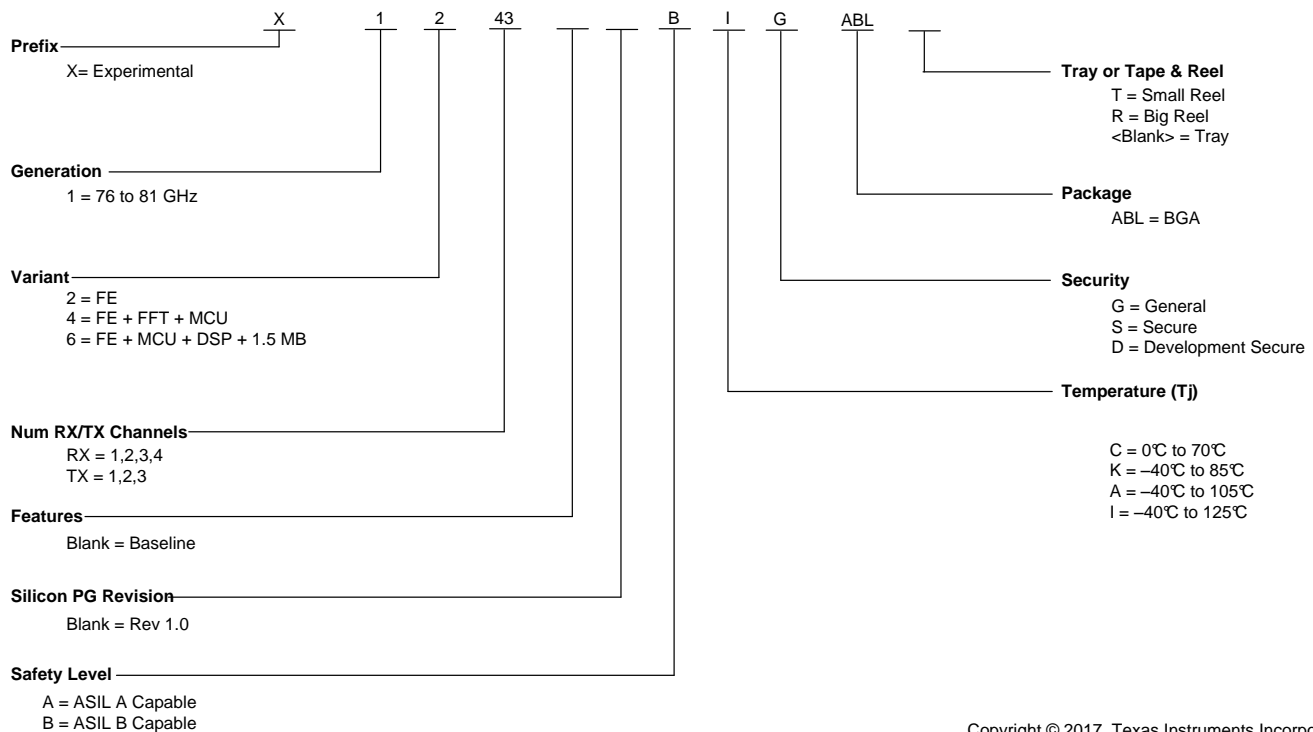
Predictions show that prototype devices (X or P) have a greater failure rate than the standard production devices. Texas Instruments recommends that these devices not be used in any production system because their expected end-use failure rate still is undefined. Only qualified production devices are to be used.

TI device nomenclature also includes a suffix with the device family name. This suffix indicates the package type (for example, ABL0161), the temperature range (for example, blank is the default commercial temperature range). [Figure 8-1](#) provides a legend for reading the complete device name for any *AWR1243* device.

For orderable part numbers of *AWR1243* devices in the ABL0161 package types, see the Package Option Addendum of this document, the TI website ([www.ti.com](http://www.ti.com)), or contact your TI sales representative.

For additional description of the device nomenclature markings on the die, see the [AWR1243 Device Errata Silicon Revision 1.0 and 2.0](#).





Copyright © 2017, Texas Instruments Incorporated

**Figure 8-1. Device Nomenclature**

## 8.2 Tools and Software

### Models

**AWR1243 BSDL Model** Boundary scan database of testable input and output pins for IEEE 1149.1 of the specific device.

**AWR1x43 IBIS Model** IO buffer information model for the IO buffers of the device. For simulation on a circuit board, see IBIS Open Forum.

**AWR1243 Checklist for Schematic Review, Layout Review, Bringup/Wakeup** A set of steps in spreadsheet form to select system functions and pinmux options. Specific EVM schematic and layout notes to apply to customer engineering. A bringup checklist is suggested for customers.

## 8.3 Documentation Support

To receive notification of documentation updates—including silicon errata—go to the product folder for your device on [ti.com](http://ti.com) (AWR1243). In the upper right-hand corner, click the "Alert me" button. This registers you to receive a weekly digest of product information that has changed (if any). For change details, check the revision history of any revised document.

The current documentation that describes the DSP, related peripherals, and other technical collateral follows.

### Errata

**AWR1243 Device Errata** Describes known advisories, limitations, and cautions on silicon and provides workarounds.

## 8.4 Community Resources

The following links connect to TI community resources. Linked contents are provided "AS IS" by the respective contributors. They do not constitute TI specifications and do not necessarily reflect TI's views; see TI's [Terms of Use](#).

**TI E2E™ Online Community** The TI engineer-to-engineer (E2E) community was created to foster collaboration among engineers. At [e2e.ti.com](http://e2e.ti.com), you can ask questions, share knowledge, explore ideas and help solve problems with fellow engineers.

**TI Embedded Processors Wiki** Established to help developers get started with Embedded Processors from Texas Instruments and to foster innovation and growth of general knowledge about the hardware and software surrounding these devices.

## 8.5 Trademarks

E2E is a trademark of Texas Instruments.  
All other trademarks are the property of their respective owners.

## 8.6 Electrostatic Discharge Caution



This integrated circuit can be damaged by ESD. Texas Instruments recommends that all integrated circuits be handled with appropriate precautions. Failure to observe proper handling and installation procedures can cause damage.

ESD damage can range from subtle performance degradation to complete device failure. Precision integrated circuits may be more susceptible to damage because very small parametric changes could cause the device not to meet its published specifications.

## 8.7 Export Control Notice

Recipient agrees to not knowingly export or re-export, directly or indirectly, any product or technical data (as defined by the U.S., EU, and other Export Administration Regulations) including software, or any controlled product restricted by other applicable national regulations, received from disclosing party under nondisclosure obligations (if any), or any direct product of such technology, to any destination to which such export or re-export is restricted or prohibited by U.S. or other applicable laws, without obtaining prior authorization from U.S. Department of Commerce and other competent Government authorities to the extent required by those laws.

## 8.8 Glossary

**TI Glossary** This glossary lists and explains terms, acronyms, and definitions.

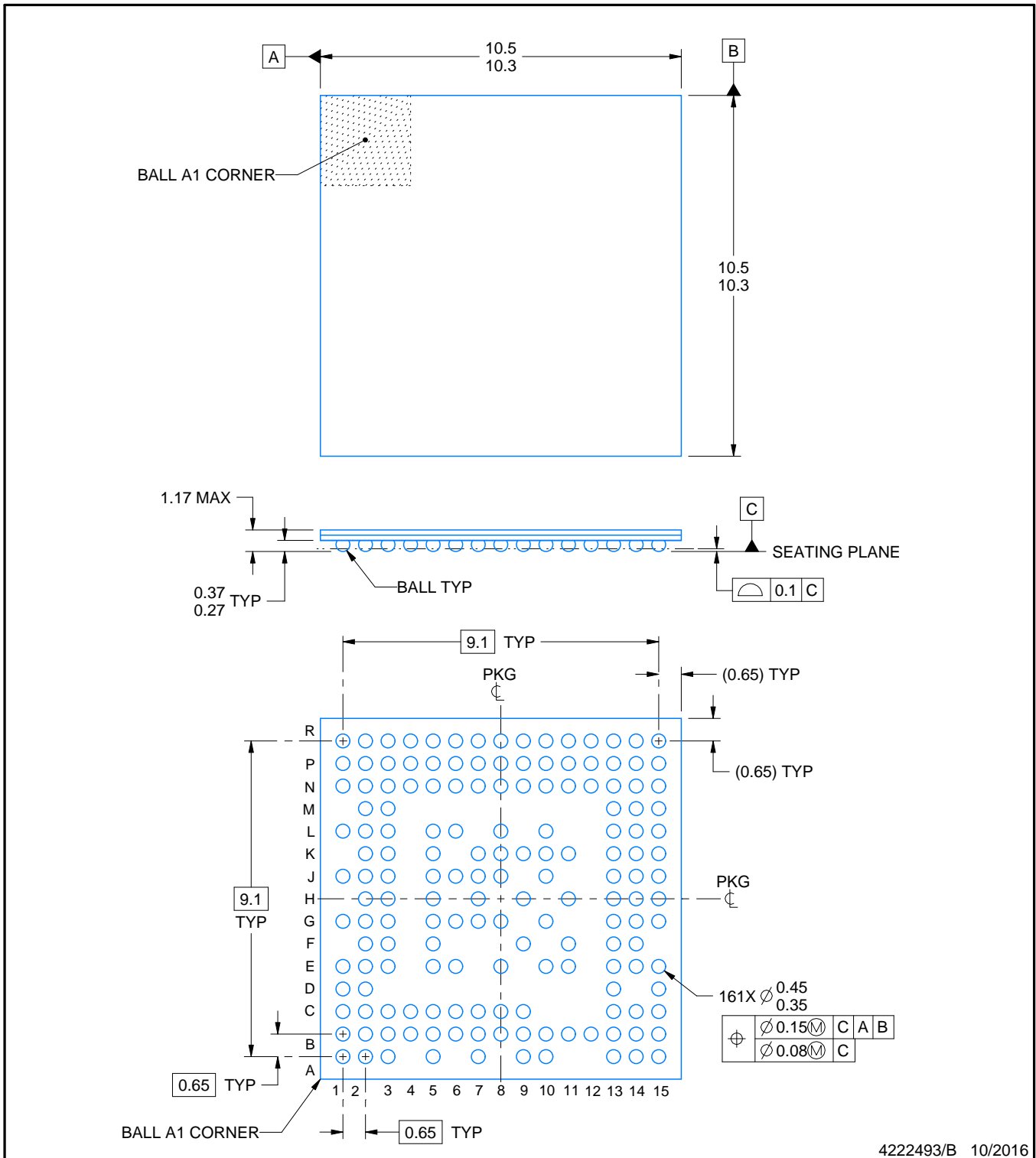
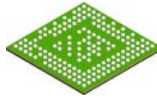
## 9 Mechanical, Packaging, and Orderable Information

### 9.1 Packaging Information

The following pages include mechanical, packaging, and orderable information. This information is the most current data available for the designated devices. This data is subject to change without notice and revision of this document. For browser-based versions of this data sheet, refer to the left-hand navigation.

**CAUTION**

The following package information is subject to change without notice.



NOTES:

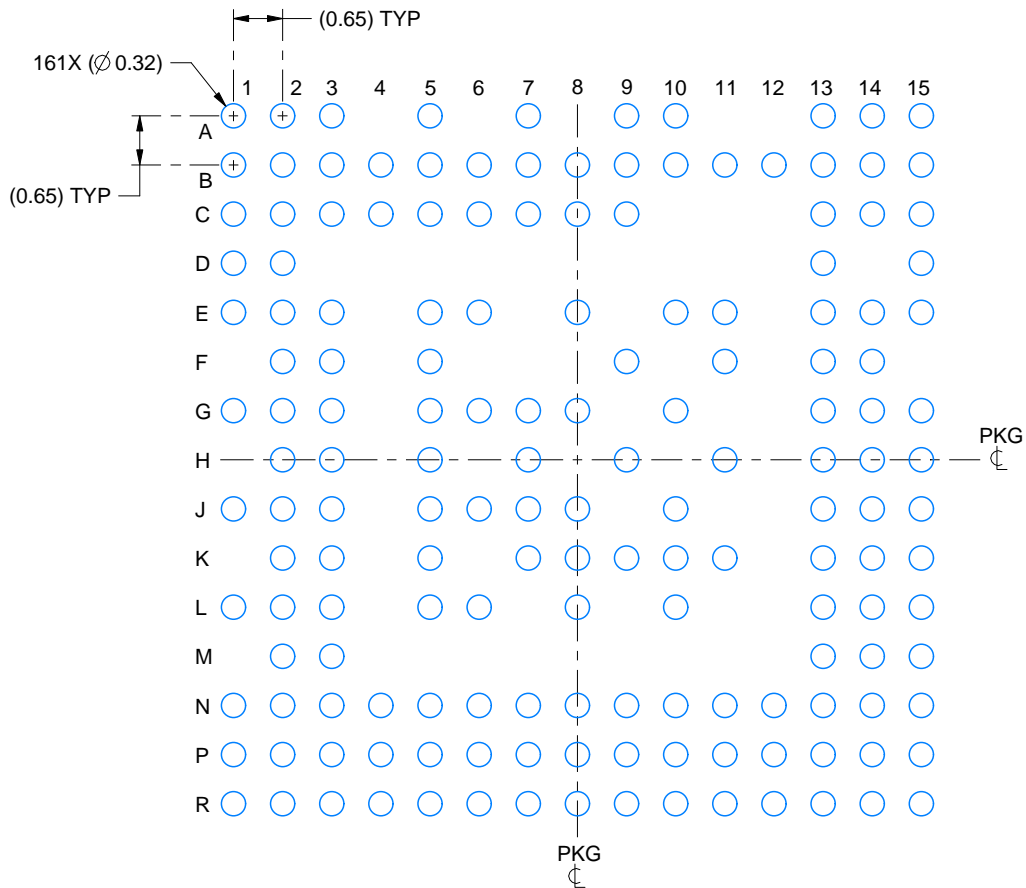
1. All linear dimensions are in millimeters. Any dimensions in parenthesis are for reference only. Dimensioning and tolerancing per ASME Y14.5M.
2. This drawing is subject to change without notice.

# EXAMPLE BOARD LAYOUT

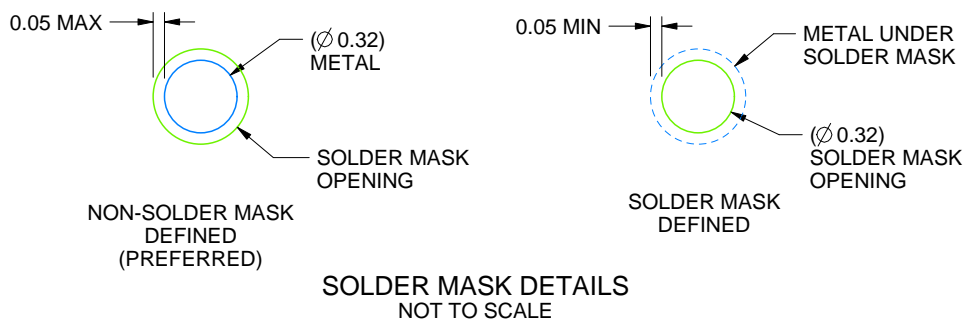
ABL0161A

FCBGA - 1.17 mm max height

PLASTIC BALL GRID ARRAY



LAND PATTERN EXAMPLE  
SCALE:10X



4222493/B 10/2016

NOTES: (continued)

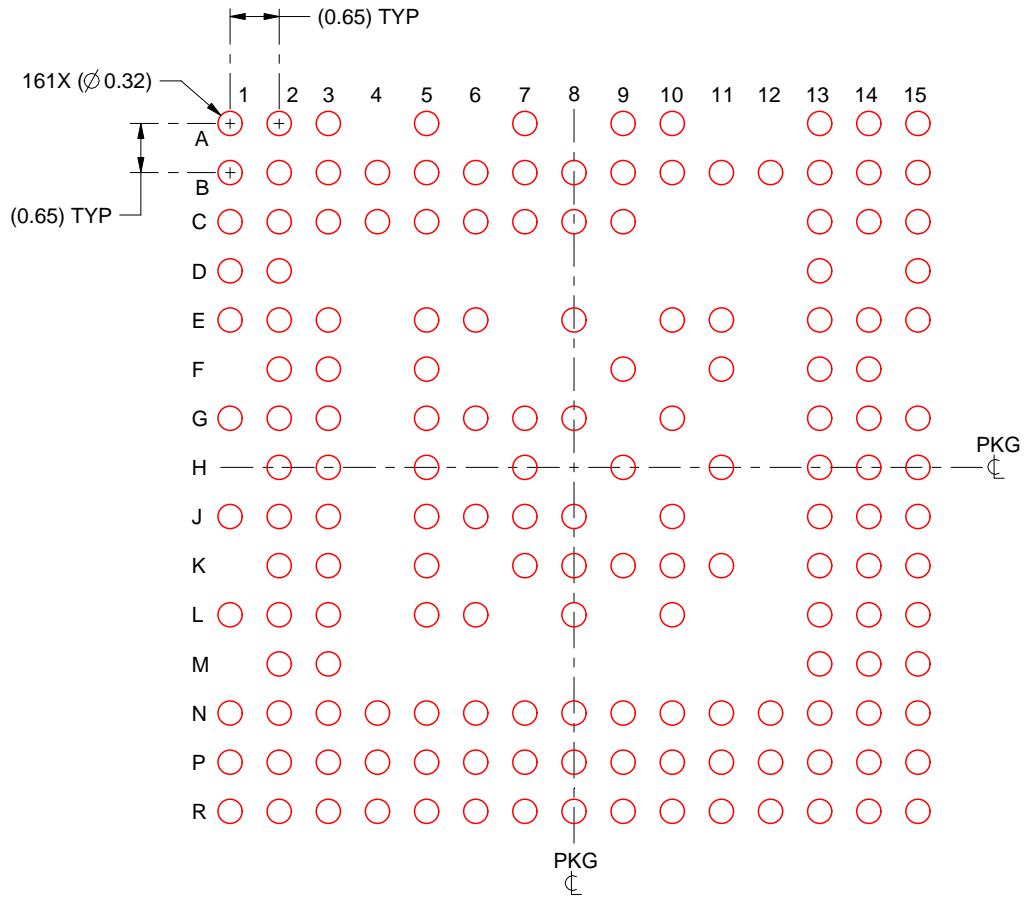
- Final dimensions may vary due to manufacturing tolerance considerations and also routing constraints. For information, see Texas Instruments literature number SPRAA99 ([www.ti.com/lit/spraa99](http://www.ti.com/lit/spraa99)).

# EXAMPLE STENCIL DESIGN

## ABL0161A

### FCBGA - 1.17 mm max height

PLASTIC BALL GRID ARRAY



SOLDER PASTE EXAMPLE  
BASED ON 0.125 mm THICK STENCIL  
SCALE:10X

4222493/B 10/2016

NOTES: (continued)

4. Laser cutting apertures with trapezoidal walls and rounded corners may offer better paste release.

**PACKAGING INFORMATION**

Orderable Device	Status (1)	Package Type	Package Drawing	Pins	Package Qty	Eco Plan (2)	Lead/Ball Finish (6)	MSL Peak Temp (3)	Op Temp (°C)	Device Marking (4/5)	Samples
X1243BIGABL	ACTIVE	FC/CSP	ABL	161	1	TBD	Call TI	Call TI	-40 to 125		Samples

(1) The marketing status values are defined as follows:

**ACTIVE:** Product device recommended for new designs.

**LIFEBUY:** TI has announced that the device will be discontinued, and a lifetime-buy period is in effect.

**NRND:** Not recommended for new designs. Device is in production to support existing customers, but TI does not recommend using this part in a new design.

**PREVIEW:** Device has been announced but is not in production. Samples may or may not be available.

**OBSOLETE:** TI has discontinued the production of the device.

(2) **RoHS:** TI defines "RoHS" to mean semiconductor products that are compliant with the current EU RoHS requirements for all 10 RoHS substances, including the requirement that RoHS substance do not exceed 0.1% by weight in homogeneous materials. Where designed to be soldered at high temperatures, "RoHS" products are suitable for use in specified lead-free processes. TI may reference these types of products as "Pb-Free".

**RoHS Exempt:** TI defines "RoHS Exempt" to mean products that contain lead but are compliant with EU RoHS pursuant to a specific EU RoHS exemption.

**Green:** TI defines "Green" to mean the content of Chlorine (Cl) and Bromine (Br) based flame retardants meet JS709B low halogen requirements of <=1000ppm threshold. Antimony trioxide based flame retardants must also meet the <=1000ppm threshold requirement.

(3) MSL, Peak Temp. - The Moisture Sensitivity Level rating according to the JEDEC industry standard classifications, and peak solder temperature.

(4) There may be additional marking, which relates to the logo, the lot trace code information, or the environmental category on the device.

(5) Multiple Device Markings will be inside parentheses. Only one Device Marking contained in parentheses and separated by a "~" will appear on a device. If a line is indented then it is a continuation of the previous line and the two combined represent the entire Device Marking for that device.

(6) Lead/Ball Finish - Orderable Devices may have multiple material finish options. Finish options are separated by a vertical ruled line. Lead/Ball Finish values may wrap to two lines if the finish value exceeds the maximum column width.

**Important Information and Disclaimer:** The information provided on this page represents TI's knowledge and belief as of the date that it is provided. TI bases its knowledge and belief on information provided by third parties, and makes no representation or warranty as to the accuracy of such information. Efforts are underway to better integrate information from third parties. TI has taken and continues to take reasonable steps to provide representative and accurate information but may not have conducted destructive testing or chemical analysis on incoming materials and chemicals. TI and TI suppliers consider certain information to be proprietary, and thus CAS numbers and other limited information may not be available for release.

In no event shall TI's liability arising out of such information exceed the total purchase price of the TI part(s) at issue in this document sold by TI to Customer on an annual basis.

## IMPORTANT NOTICE

Texas Instruments Incorporated (TI) reserves the right to make corrections, enhancements, improvements and other changes to its semiconductor products and services per JESD46, latest issue, and to discontinue any product or service per JESD48, latest issue. Buyers should obtain the latest relevant information before placing orders and should verify that such information is current and complete.

TI's published terms of sale for semiconductor products (<http://www.ti.com/sc/docs/stdterms.htm>) apply to the sale of packaged integrated circuit products that TI has qualified and released to market. Additional terms may apply to the use or sale of other types of TI products and services.

Reproduction of significant portions of TI information in TI data sheets is permissible only if reproduction is without alteration and is accompanied by all associated warranties, conditions, limitations, and notices. TI is not responsible or liable for such reproduced documentation. Information of third parties may be subject to additional restrictions. Resale of TI products or services with statements different from or beyond the parameters stated by TI for that product or service voids all express and any implied warranties for the associated TI product or service and is an unfair and deceptive business practice. TI is not responsible or liable for any such statements.

Buyers and others who are developing systems that incorporate TI products (collectively, "Designers") understand and agree that Designers remain responsible for using their independent analysis, evaluation and judgment in designing their applications and that Designers have full and exclusive responsibility to assure the safety of Designers' applications and compliance of their applications (and of all TI products used in or for Designers' applications) with all applicable regulations, laws and other applicable requirements. Designer represents that, with respect to their applications, Designer has all the necessary expertise to create and implement safeguards that (1) anticipate dangerous consequences of failures, (2) monitor failures and their consequences, and (3) lessen the likelihood of failures that might cause harm and take appropriate actions. Designer agrees that prior to using or distributing any applications that include TI products, Designer will thoroughly test such applications and the functionality of such TI products as used in such applications.

TI's provision of technical, application or other design advice, quality characterization, reliability data or other services or information, including, but not limited to, reference designs and materials relating to evaluation modules, (collectively, "TI Resources") are intended to assist designers who are developing applications that incorporate TI products; by downloading, accessing or using TI Resources in any way, Designer (individually or, if Designer is acting on behalf of a company, Designer's company) agrees to use any particular TI Resource solely for this purpose and subject to the terms of this Notice.

TI's provision of TI Resources does not expand or otherwise alter TI's applicable published warranties or warranty disclaimers for TI products, and no additional obligations or liabilities arise from TI providing such TI Resources. TI reserves the right to make corrections, enhancements, improvements and other changes to its TI Resources. TI has not conducted any testing other than that specifically described in the published documentation for a particular TI Resource.

Designer is authorized to use, copy and modify any individual TI Resource only in connection with the development of applications that include the TI product(s) identified in such TI Resource. NO OTHER LICENSE, EXPRESS OR IMPLIED, BY ESTOPPEL OR OTHERWISE TO ANY OTHER TI INTELLECTUAL PROPERTY RIGHT, AND NO LICENSE TO ANY TECHNOLOGY OR INTELLECTUAL PROPERTY RIGHT OF TI OR ANY THIRD PARTY IS GRANTED HEREIN, including but not limited to any patent right, copyright, mask work right, or other intellectual property right relating to any combination, machine, or process in which TI products or services are used. Information regarding or referencing third-party products or services does not constitute a license to use such products or services, or a warranty or endorsement thereof. Use of TI Resources may require a license from a third party under the patents or other intellectual property of the third party, or a license from TI under the patents or other intellectual property of TI.

TI RESOURCES ARE PROVIDED "AS IS" AND WITH ALL FAULTS. TI DISCLAIMS ALL OTHER WARRANTIES OR REPRESENTATIONS, EXPRESS OR IMPLIED, REGARDING RESOURCES OR USE THEREOF, INCLUDING BUT NOT LIMITED TO ACCURACY OR COMPLETENESS, TITLE, ANY EPIDEMIC FAILURE WARRANTY AND ANY IMPLIED WARRANTIES OF MERCHANTABILITY, FITNESS FOR A PARTICULAR PURPOSE, AND NON-INFRINGEMENT OF ANY THIRD PARTY INTELLECTUAL PROPERTY RIGHTS. TI SHALL NOT BE LIABLE FOR AND SHALL NOT DEFEND OR INDEMNIFY DESIGNER AGAINST ANY CLAIM, INCLUDING BUT NOT LIMITED TO ANY INFRINGEMENT CLAIM THAT RELATES TO OR IS BASED ON ANY COMBINATION OF PRODUCTS EVEN IF DESCRIBED IN TI RESOURCES OR OTHERWISE. IN NO EVENT SHALL TI BE LIABLE FOR ANY ACTUAL, DIRECT, SPECIAL, COLLATERAL, INDIRECT, PUNITIVE, INCIDENTAL, CONSEQUENTIAL OR EXEMPLARY DAMAGES IN CONNECTION WITH OR ARISING OUT OF TI RESOURCES OR USE THEREOF, AND REGARDLESS OF WHETHER TI HAS BEEN ADVISED OF THE POSSIBILITY OF SUCH DAMAGES.

Unless TI has explicitly designated an individual product as meeting the requirements of a particular industry standard (e.g., ISO/TS 16949 and ISO 26262), TI is not responsible for any failure to meet such industry standard requirements.

Where TI specifically promotes products as facilitating functional safety or as compliant with industry functional safety standards, such products are intended to help enable customers to design and create their own applications that meet applicable functional safety standards and requirements. Using products in an application does not by itself establish any safety features in the application. Designers must ensure compliance with safety-related requirements and standards applicable to their applications. Designer may not use any TI products in life-critical medical equipment unless authorized officers of the parties have executed a special contract specifically governing such use. Life-critical medical equipment is medical equipment where failure of such equipment would cause serious bodily injury or death (e.g., life support, pacemakers, defibrillators, heart pumps, neurostimulators, and implantables). Such equipment includes, without limitation, all medical devices identified by the U.S. Food and Drug Administration as Class III devices and equivalent classifications outside the U.S.

TI may expressly designate certain products as completing a particular qualification (e.g., Q100, Military Grade, or Enhanced Product). Designers agree that it has the necessary expertise to select the product with the appropriate qualification designation for their applications and that proper product selection is at Designers' own risk. Designers are solely responsible for compliance with all legal and regulatory requirements in connection with such selection.

Designer will fully indemnify TI and its representatives against any damages, costs, losses, and/or liabilities arising out of Designer's non-compliance with the terms and provisions of this Notice.