

10 9 8 7 6 5 4 3 2 1

H RevNo Revision note Date Signature Checked H

G REV-X2, CHANGED AC FILTER, 5/1/17

F

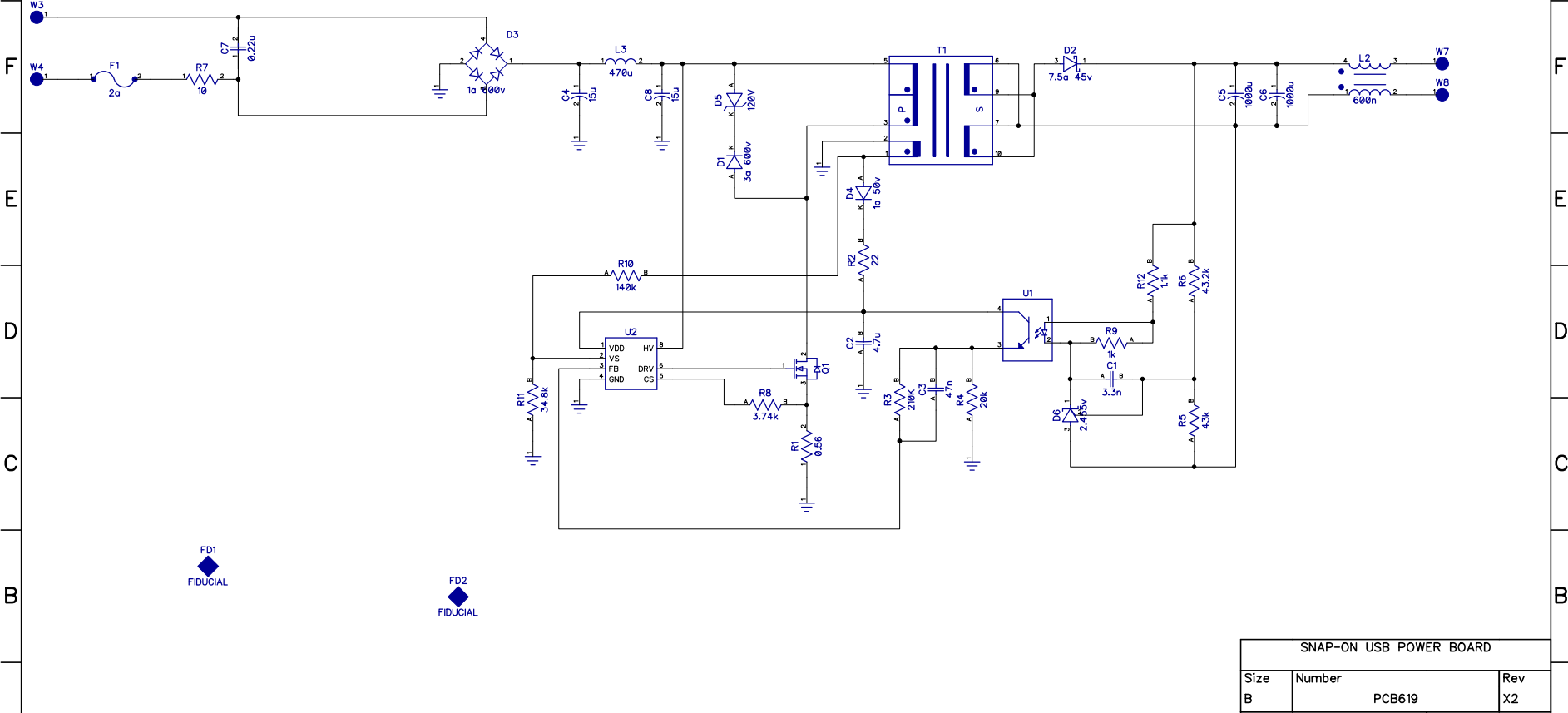
E

D

C

B

A



FD1
FIDUCIAL

FD2
FIDUCIAL

| SNAP-ON USB POWER BOARD | | |
|-------------------------|--------|---------------|
| Size | Number | Rev |
| B | PCB619 | X2 |
| Date: 4/6/17 | | Drawn by: KMK |
| PCB619.dch | | Sheet 1 |

10 9 8 7 6 5 4 3 2 1

A