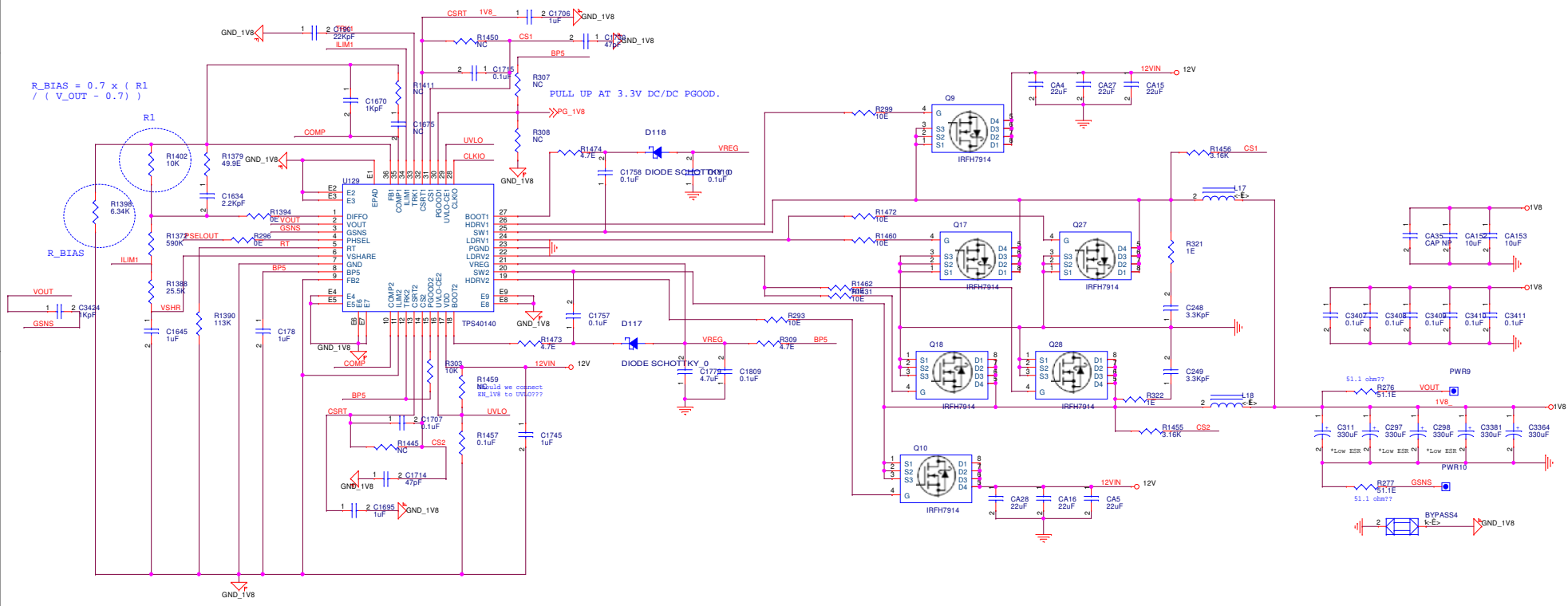
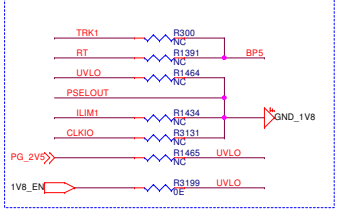



$$R\_BIAS = 0.7 \times (R1 / (V\_OUT - 0.7))$$



MASTER MODE



<b>&lt;OrgName&gt;</b>		 CENTRE FOR DEVELOPMENT OF TELEMATICS
File <T8e>	Document Number <Doc>	
Size C	Date: Wednesday, March 25, 2015	Rev ?
Sheet 1 of 1		