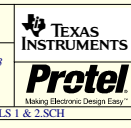
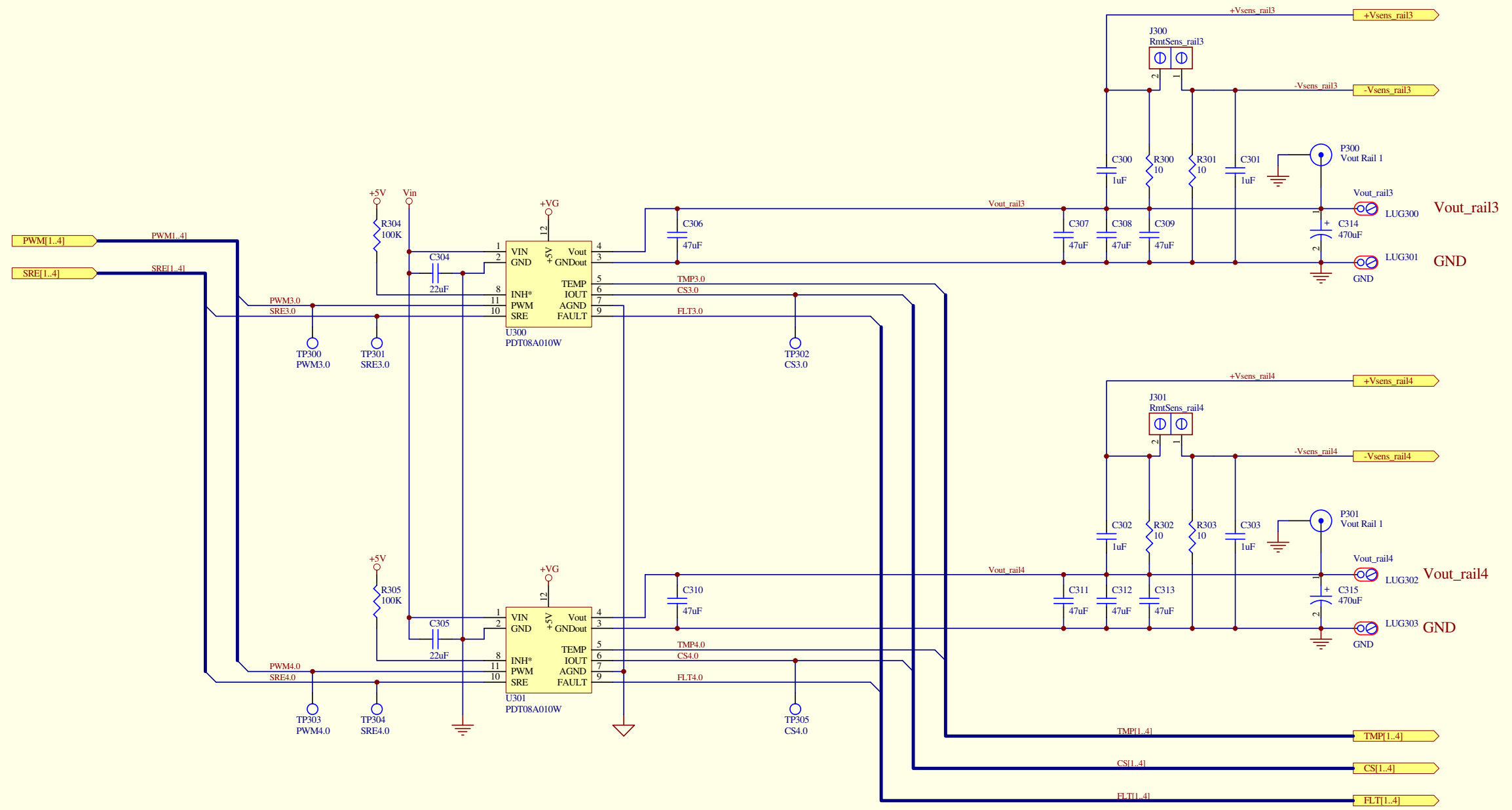


Title: VOYAGER 4 RAIL
Section: OUTPUT RAILS 1 & 2.SCH

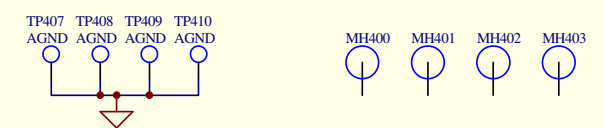
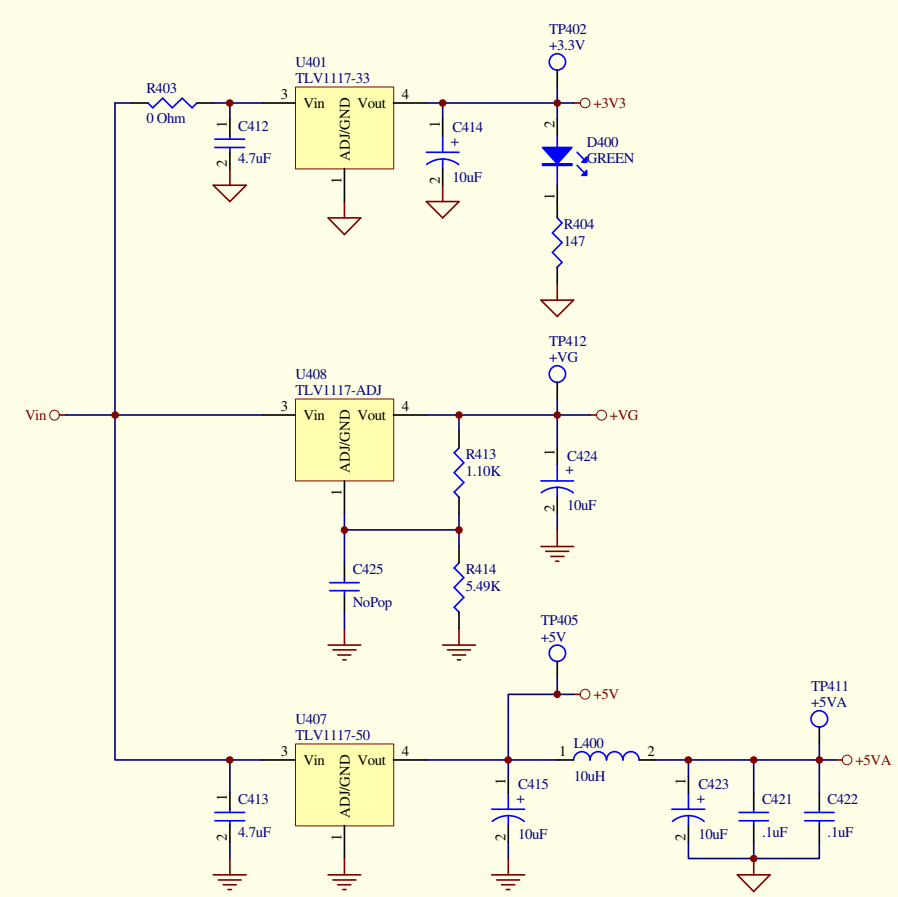
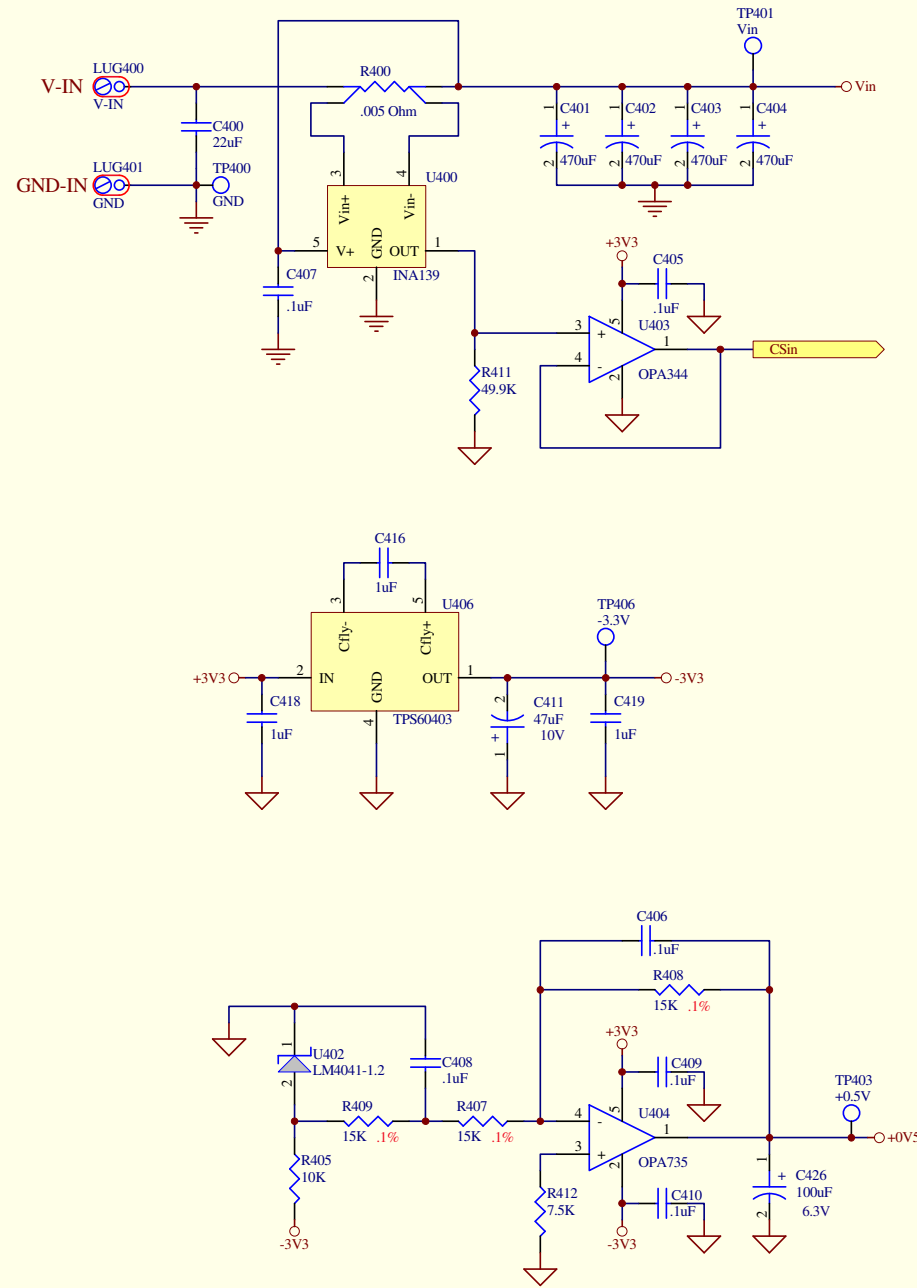
Size: C Number: PR662E Revision: F Date: 12-Mar-2008 Time: 11:46:08 Sheet 2 of 4 File: F:\Board Design\Power\VOYAGER-4\Schematic\RevF\PR662F.ddb - Documents\OUTPUT RAILS 1 & 2.SCH



Texas Instruments
 3535 40TH Ave. NW, Suite 103
 Rochester, MN 55901
 Designer: Brian Ashelin
 (507) 529-1555 ext. 108



Title: VOYAGER 4 RAIL			 Texas Instruments 3535 40TH Ave. NW, Suite 103 Rochester, MN 55901 Designer: Brian Ashelin (507) 529-1555 ext. 108
Section: OUTPUT RAILS 3 & 4.SCH			
Size: Tabloid	Number: PR662E	Revision: F	 Making Electronic Design Easy™
Date: 12-Mar-2008	Time: 11:46:08	Sheet 3 of 4	
File: F:\Board Design\Power\Voyager-4\Schematic\RevF\PR662F.ddb - Documents\OUTPUT RAILS 3 & 4.SCH			6



Title: VOYAGER 4 RAIL			 Texas Instruments 3535 40TH Ave. NW, Suite 103 Rochester, MN 55901 Designer: Brian Ashelin (507) 529-1555 ext. 108
Section: POWER DIST.SCH			
Size: Tabloid	Number: PR662E	Revision: F	 Making Electronic Design Easy™
Date: 12-Mar-2008	Time: 11:46:09	Sheet 4 of 4	
File: F:\Board Design\Power\VOYAGER-4\Schematic\RevF\PR662F.ddb - Documents\POWER DIST.SCH			

TL_BUG
TL_BUG
TL_BUG