

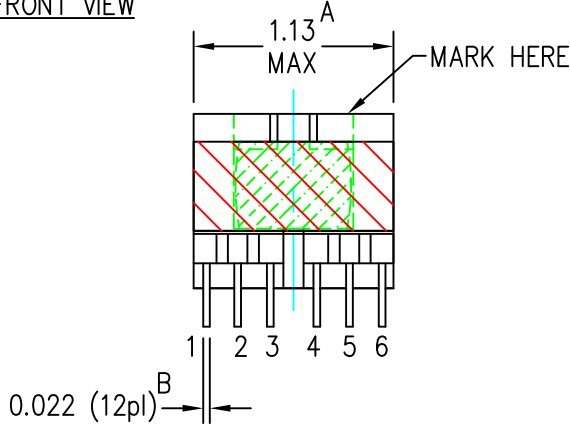


RENCO ELECTRONICS, INC.

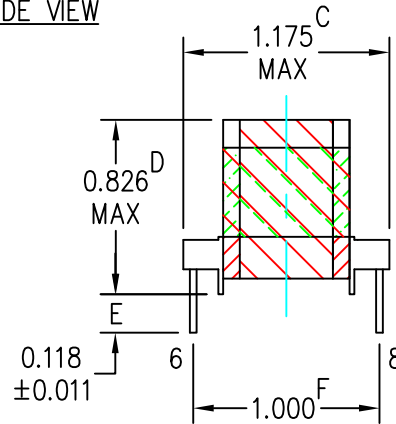
595 INTERNATIONAL PL. • ROCKLEDGE, FLORIDA 32955
 ph. (321)637-1000 fax (321)637-1600
 web www.rencousa.com < > email engineering@rencousa.com

CONTACT ENGINEERING@RENCUSA.COM FOR QUOTE OR SAMPLE. REFERENCE RLTI-1119

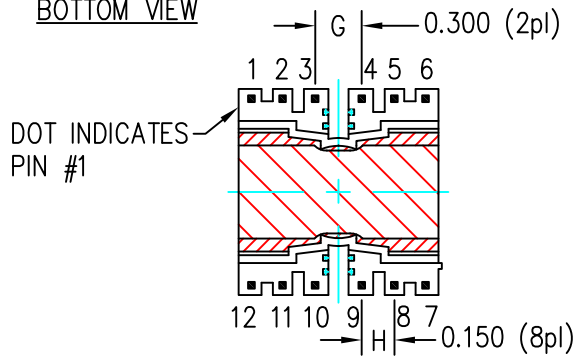
FRONT VIEW



SIDE VIEW



BOTTOM VIEW



NOTE: SHORT PINS 12,11,10 & 9,8,7 ON PCB

ELECTRICAL TEST PARAMETERS:

INDUCTANCE @ 60kHz/0.1VAC
 L(3-1)=120µH ±5%

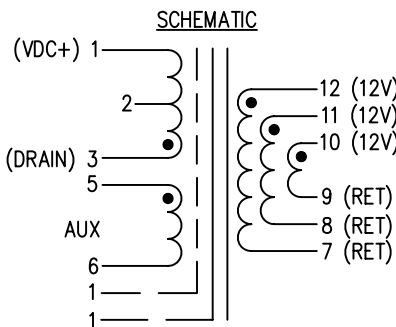
LEAKAGE INDUCTANCE @ 60kHz/0.1VAC
 SHORT PINS: 7,8,9,10,11,12
 Le(3-1)=4.0µH MAX

DC RESISTANCE OHMS (Ω) ±15% @ 25°C
 RDC(3-1)=0.070Ω (12-9)=0.022Ω
 (5-6)=0.015Ω (11-8)=0.022Ω
 (10-7)=0.022Ω

HIPOT

APPLY: 3000VAC @ 60Hz FOR 2 SEC
 BTWN 1,6 TO 12,11,10
 APPLY: 2500VAC @ 60Hz FOR 2 SEC
 BTWN 6,12,11,10 TO CORE
 APPLY: 1500VAC @ 60Hz FOR 2 SEC
 BTWN 1 TO 6

COMPONENT DRAWING



	SUPPLIER	PART #	DESCRIPTION	UL FILE #
1	FERROXCUBE	FERRITE, MnZn	CORE	N/A
2	SUMITOMO BAKELITE CO. LTD	PHENOLIC PM-9630	BOBBIN	E41429
3	FURUKAWA	TEX-E	WIRE, TRIPLE INSULATED	E206198
4	3M	#1350-1 TAPE	WINDING TAPE	E17385
5	VARIOUS	NEMA MW-75C	WIRE, HEAVY POLY	VARIOUS
6	DOLPHS	BC-346A	VARNISH	E51047

THIS COMPONENT COMPLIES WITH A UL CLASS B (130°C) INSULATION SYSTEM ADOPTED BY RENCO ELECTRONICS UNDER UL FILE E73291 AND IS DESIGNATED BY R130, TABLE II.

RoHS COMPLIANT: YES NO (REFERENCE: S012211)

- TOLERANCES -
 UNLESS OTHERWISE SPECIFIED DIMENSIONS ARE IN INCHES

.XX=±	.03
.XXX=±	.015
ANGULAR=±	3°
FRACTIONAL=±	1/16"

DWN BY	DATE	CUSTOMER NAME
IAR	08/20/2014	TEXAS INSTRUMENTS
ENGR CONTACT	REV	DESCRIPTION
I. RENSING	N/A	FLYBACK TRANSFORMER
SIZE	SCALE=	PAGE
A	NONE	1 of 1

THIS DOCUMENT IS FOR REFERENCE ONLY

FILE NAME
RLTI-1119