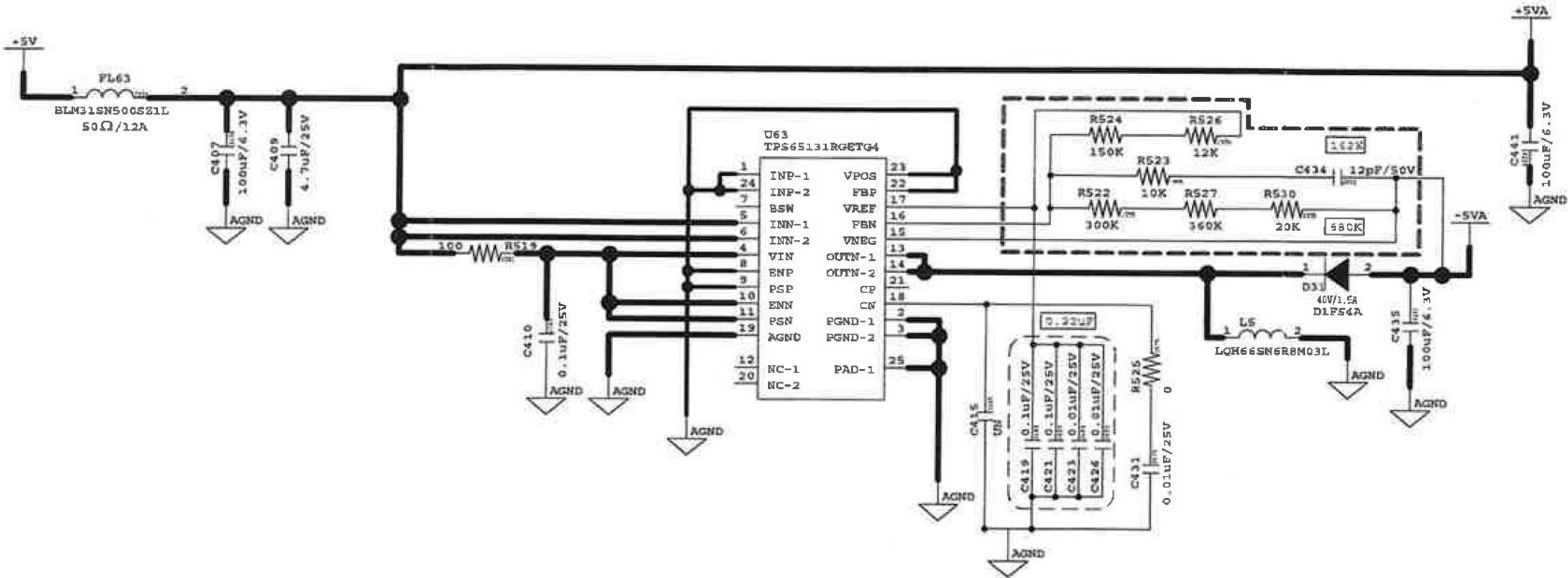
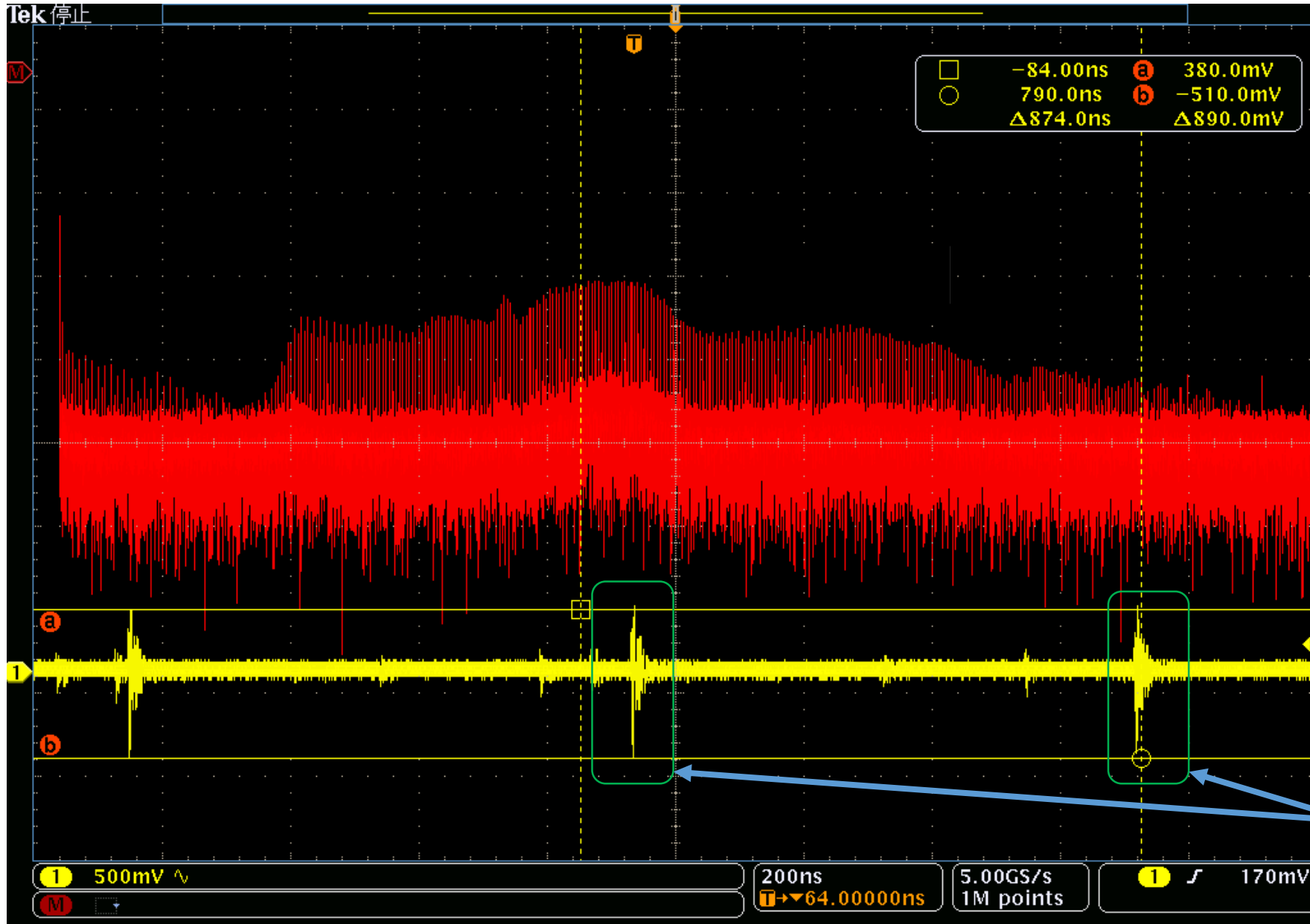


circuit diagram



Waveform



(Question)
There is 1Vp-p noise on
the minus 5V output.
Is there a solution?

← Output voltage FFT
waveform

← Ch1 : Output voltage
waveform

← Output Voltage Ripple is 890mV