

figure1 how is now

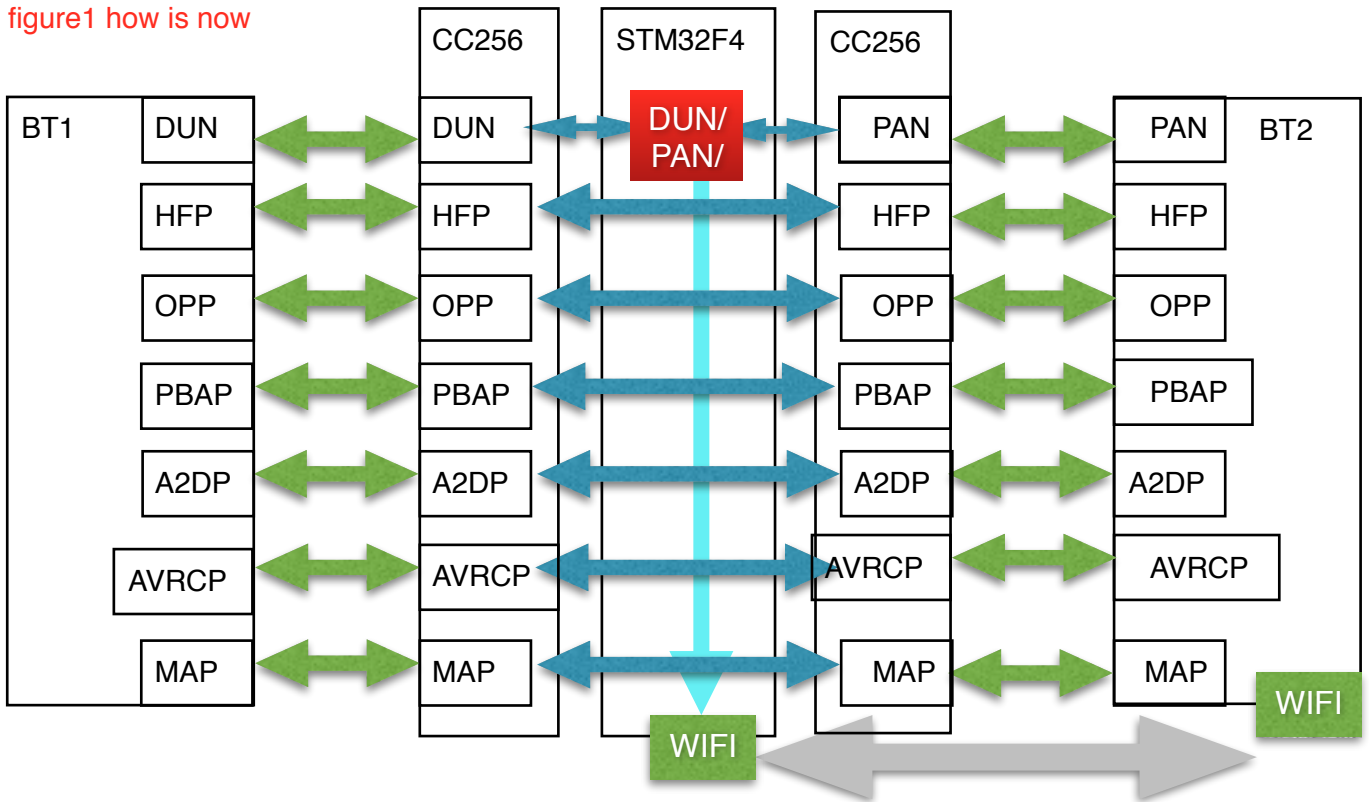


figure2 how i can do.....