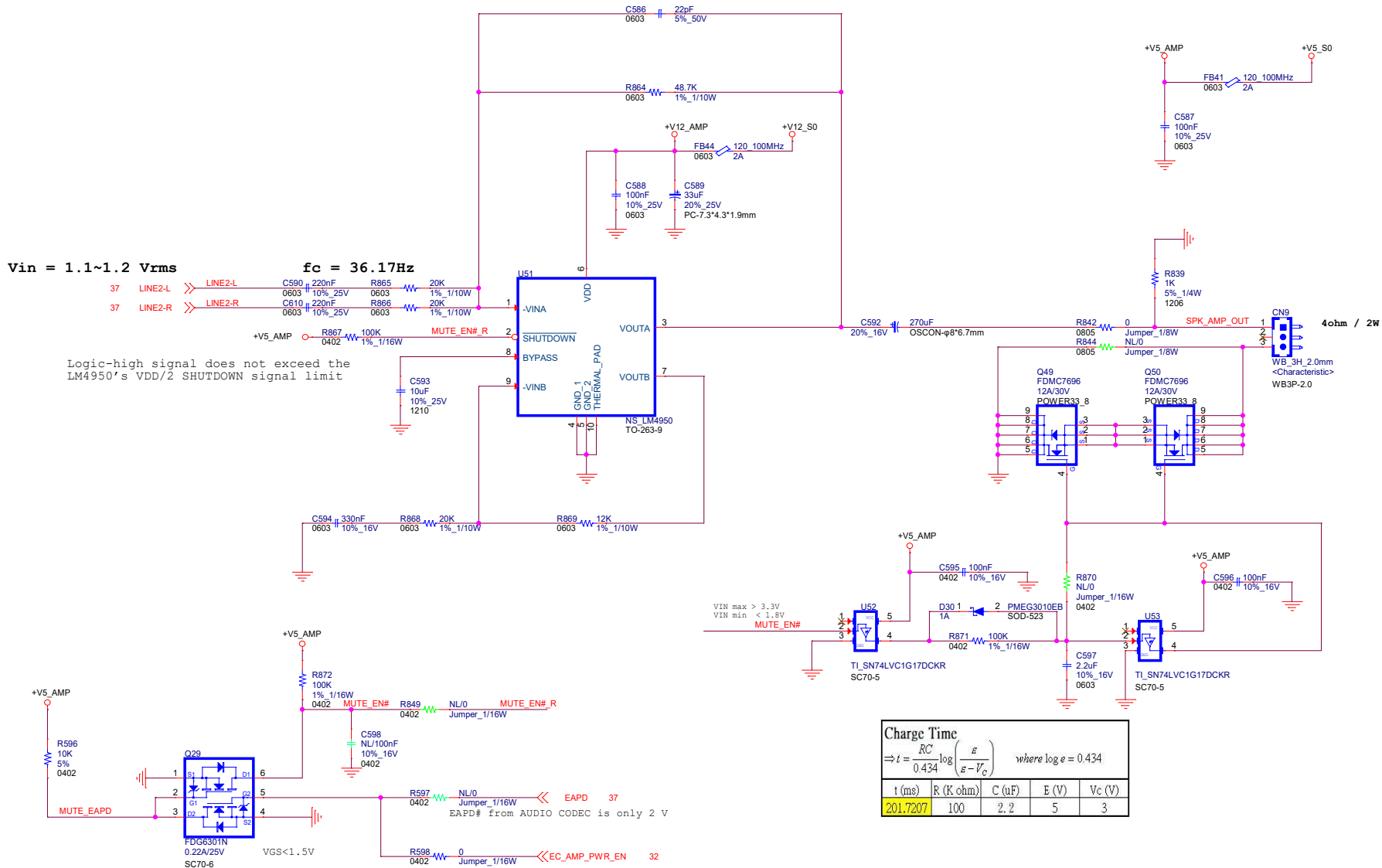


Audio Power Amplifier

PN: 1410000890



$V_{GS(th)}$	Gate Threshold Voltage	$V_{DS} = V_{GS}, I_D = 250 \mu A$	0.65	0.85	1.5	V