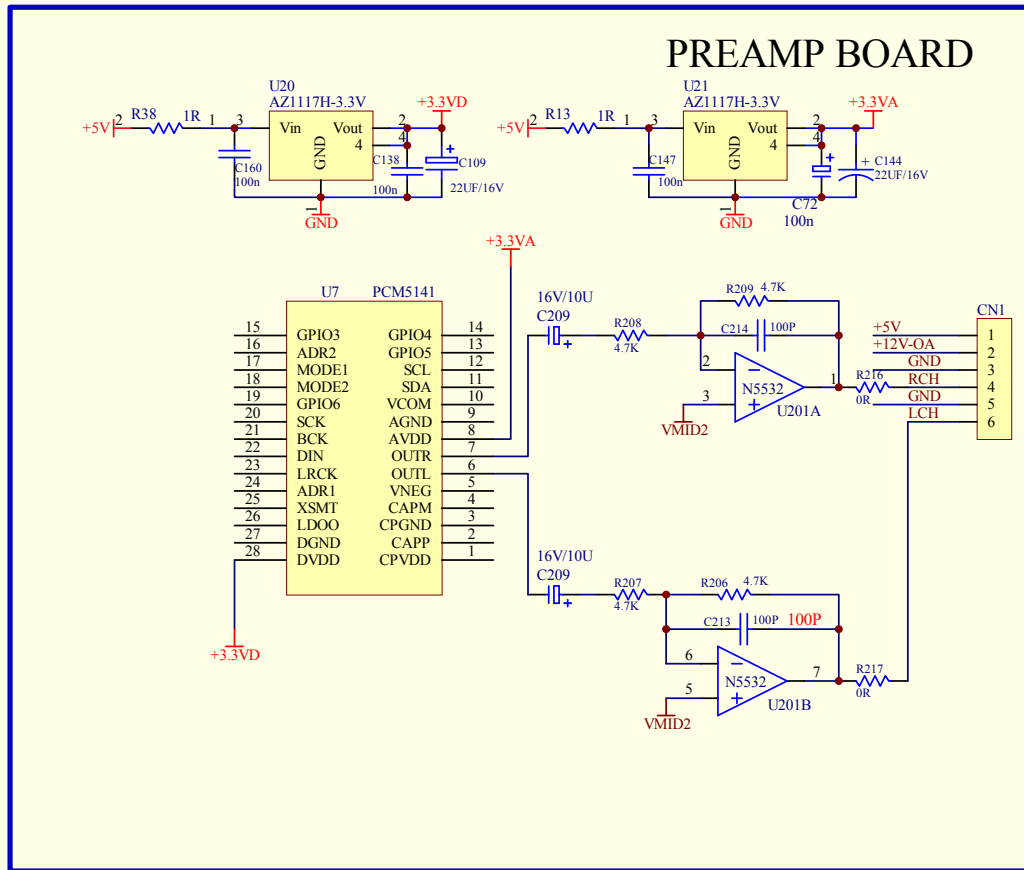
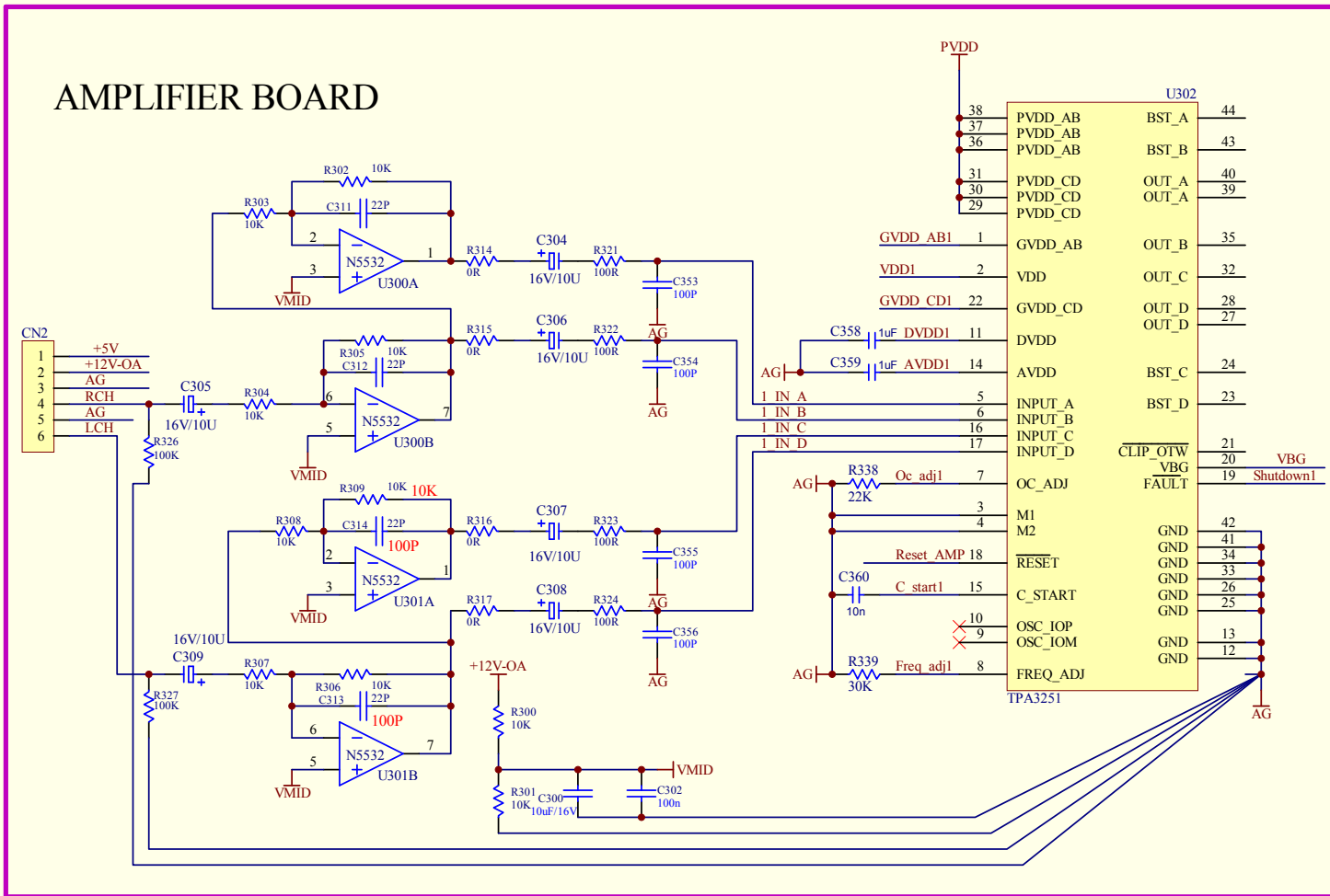


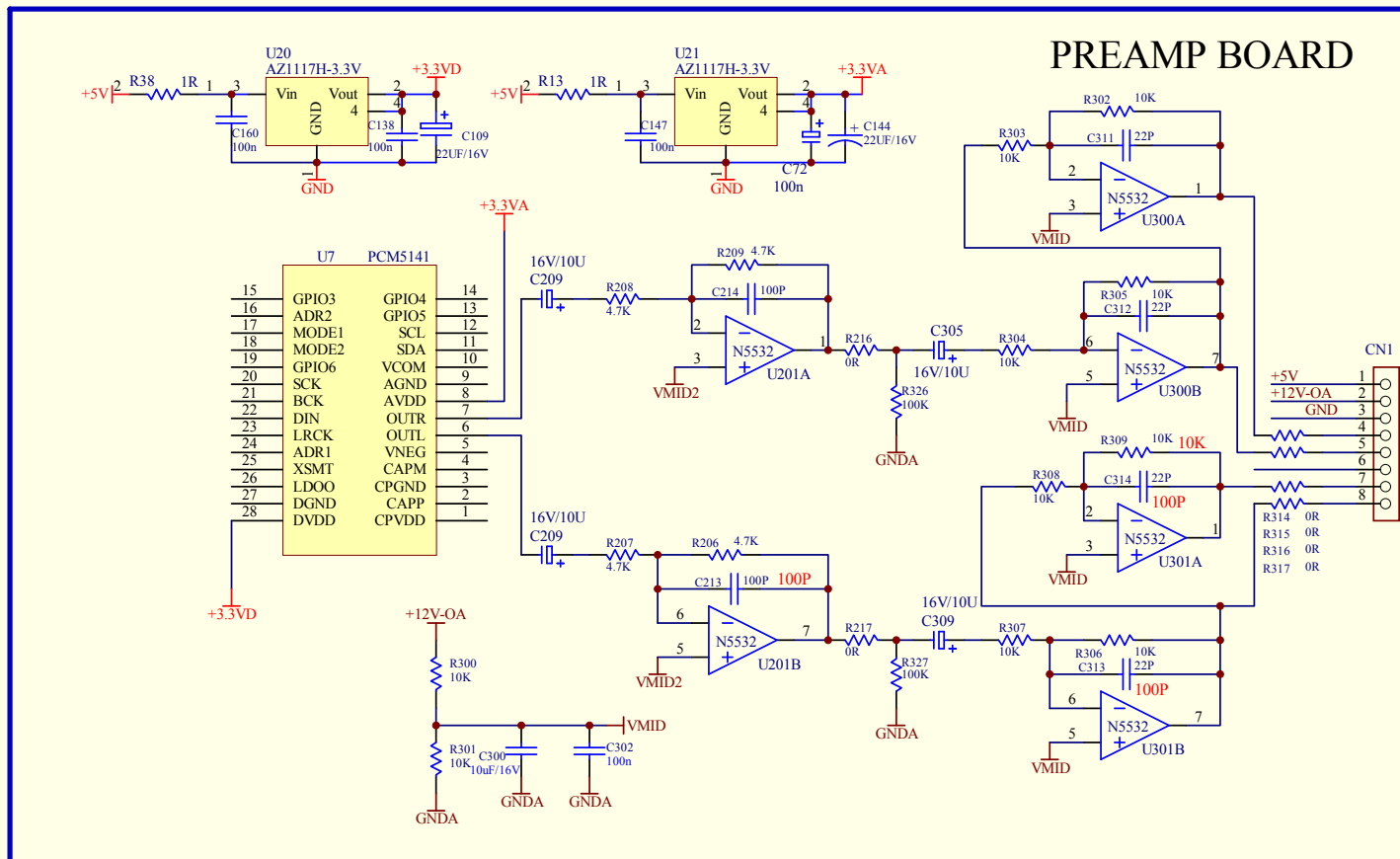
The First Way



L=500mm



The Second Way



L=500mm

