

EVM CONFIGURATION MODES

DEFAULT (SINGLE AMP) CONFIGURATION

Default Config (with transformer drive on 3 channels &
THS770006 on one channel (IN3A)

OPTIONAL (4 CHANNEL AMP) CONFIGURATION

THS7700 Config - THS770006-based drive on all 4 channels
Channel (IN1A, IN2A, IN3A IN4A)



TEXAS INSTRUMENTS

Title

ADS5263EVM

Size
A

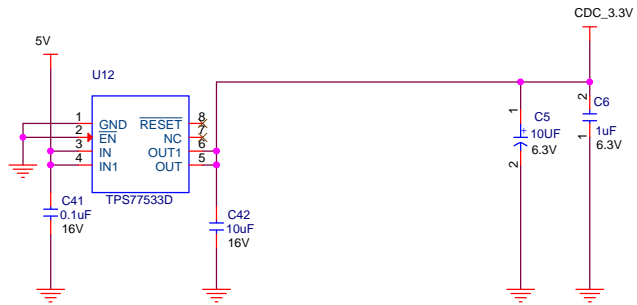
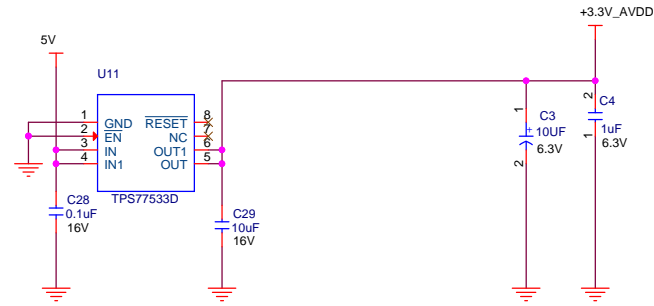
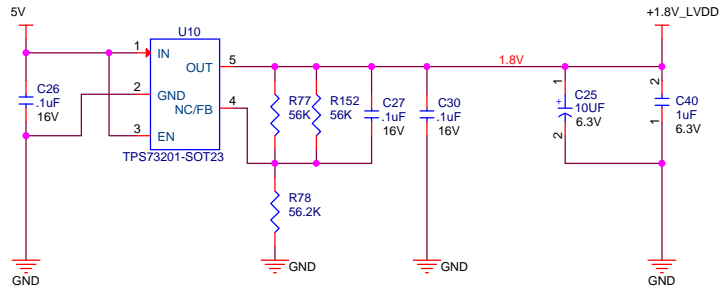
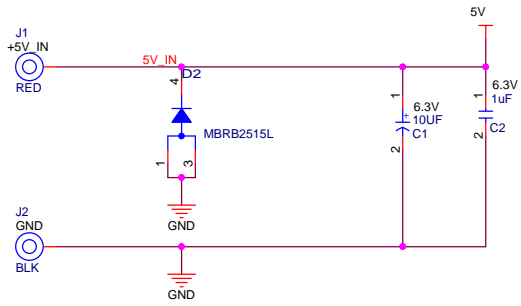
EDGE No : 6526733
ECR No : 2121333

EVM CONFIGURATION

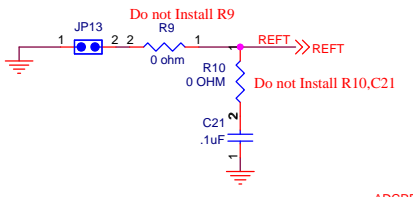
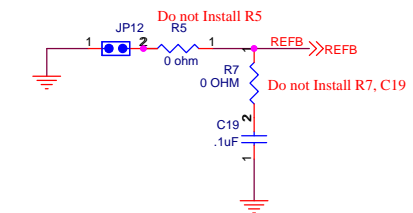
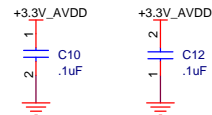
Rev
B

Date: Thursday, February 02, 2012

Sheet 1 of 8

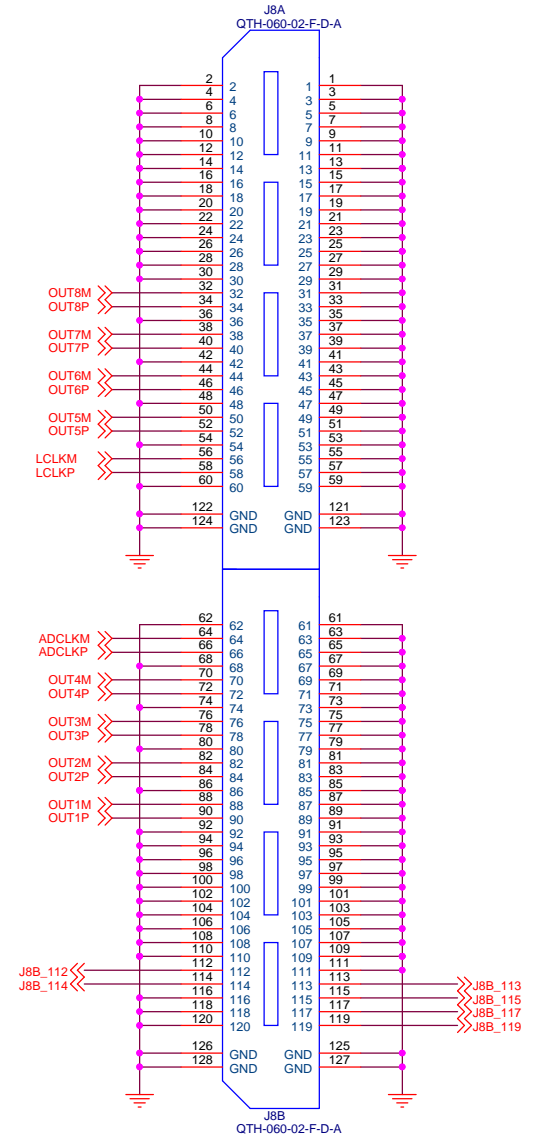
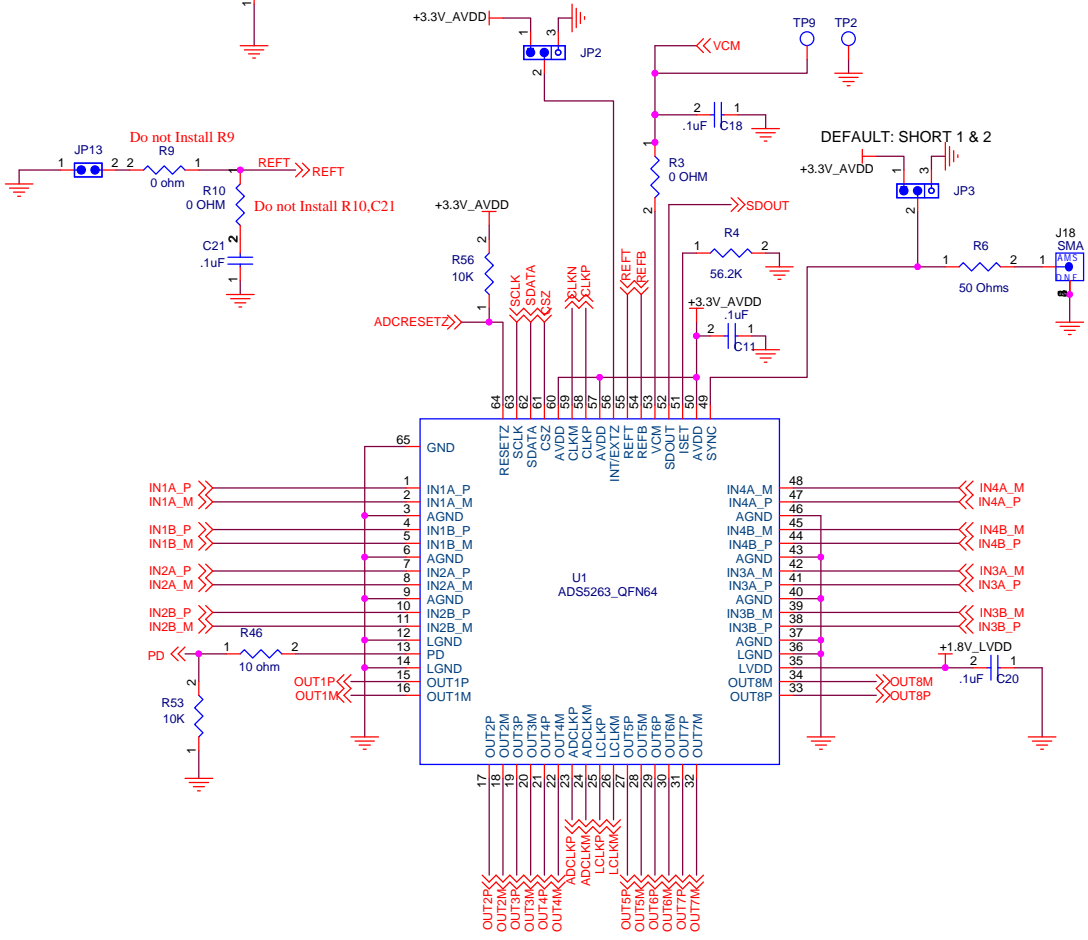


PLACE 0.1UF CLOSE TO DEVICE AVDD PINS



DEFAULT: SHORT 1 & 2

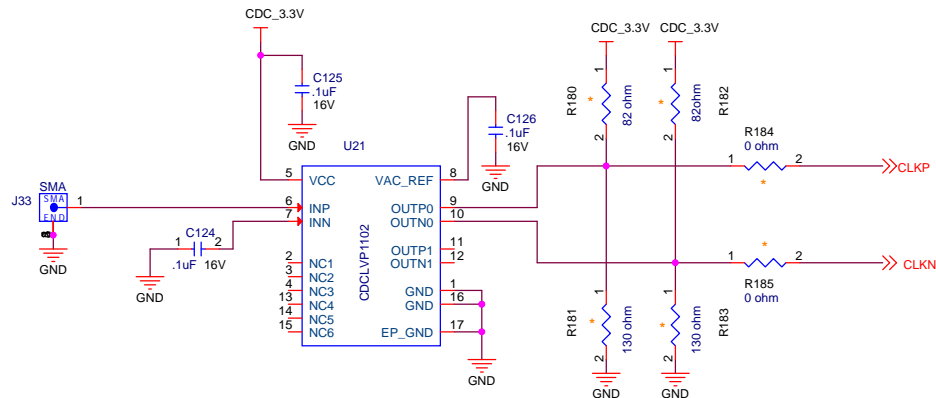
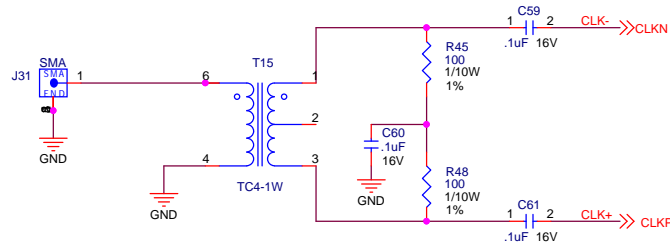
DEFAULT: SHORT 1 & 2




TEXAS INSTRUMENTS

Title: **ADS5263EVM**

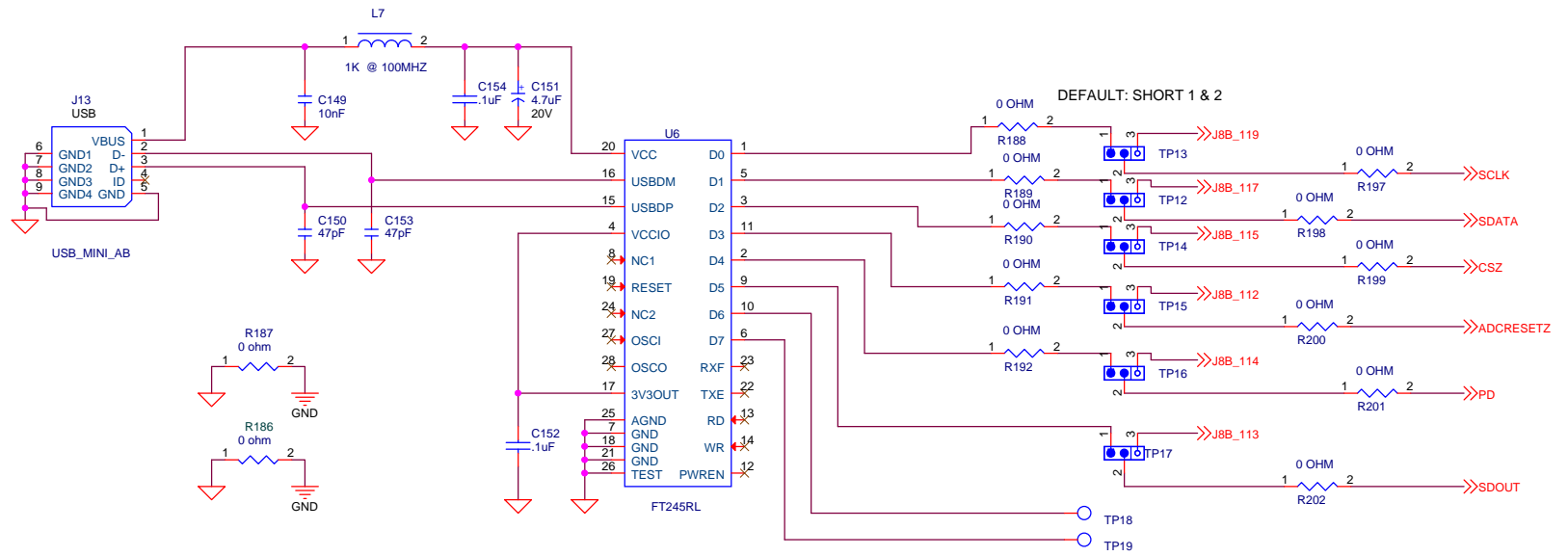
Size B	EDGE No : 6526733 ECR No : 2121333	Rev B
Date: Friday, January 20, 2012	ADC	Sheet 3 of 8

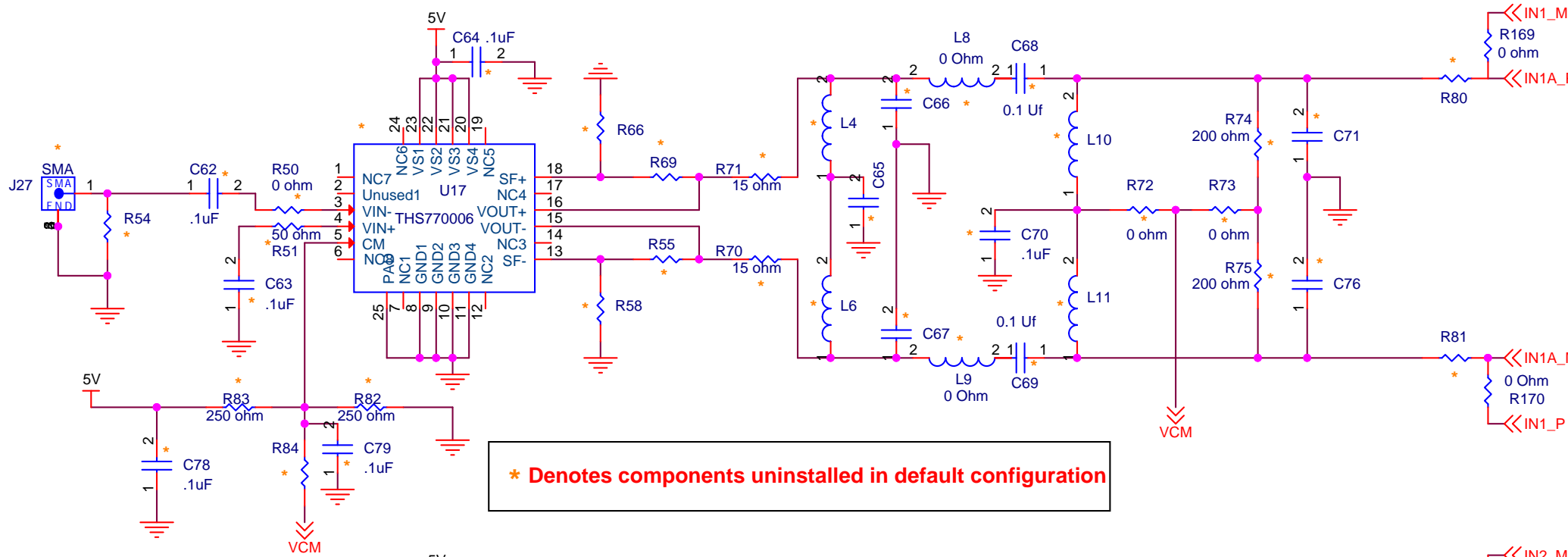



TEXAS INSTRUMENTS

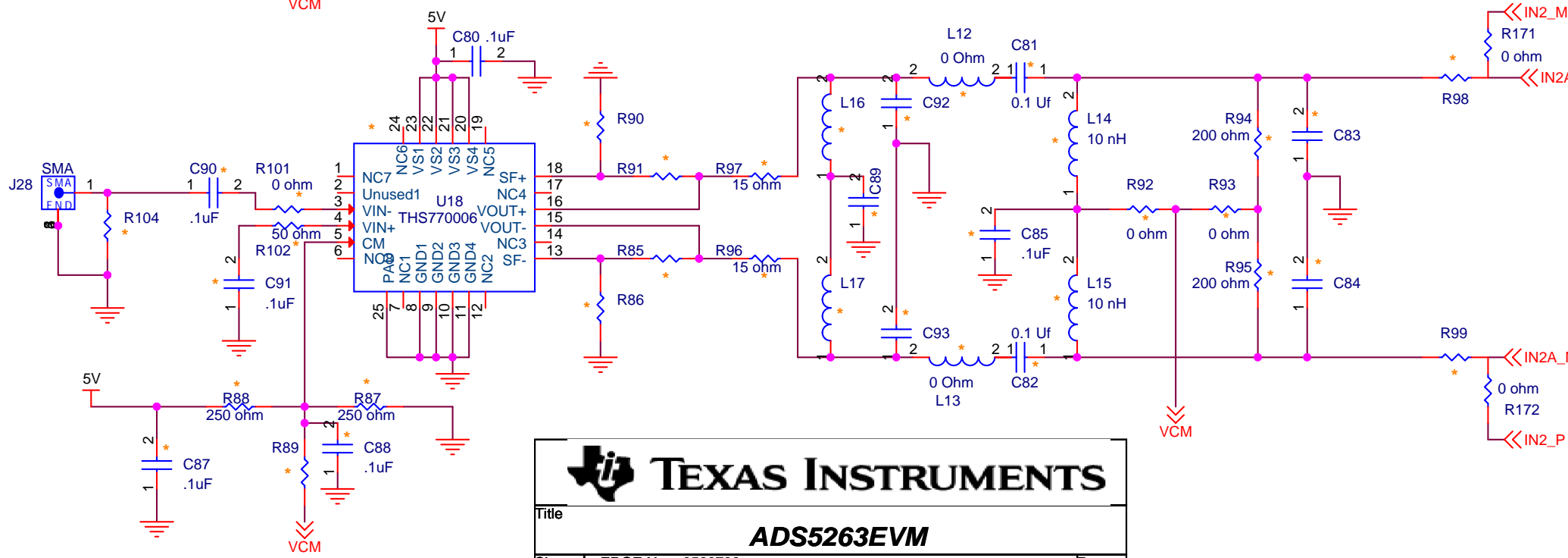
ADS5263EVM

Title			Rev
Size	EDGE No : 6526733		B
B	ECR No : 2121333	ADC Clocking	
Date:	Friday, January 20, 2012	Sheet	4 of 8





*** Denotes components uninstalled in default configuration**

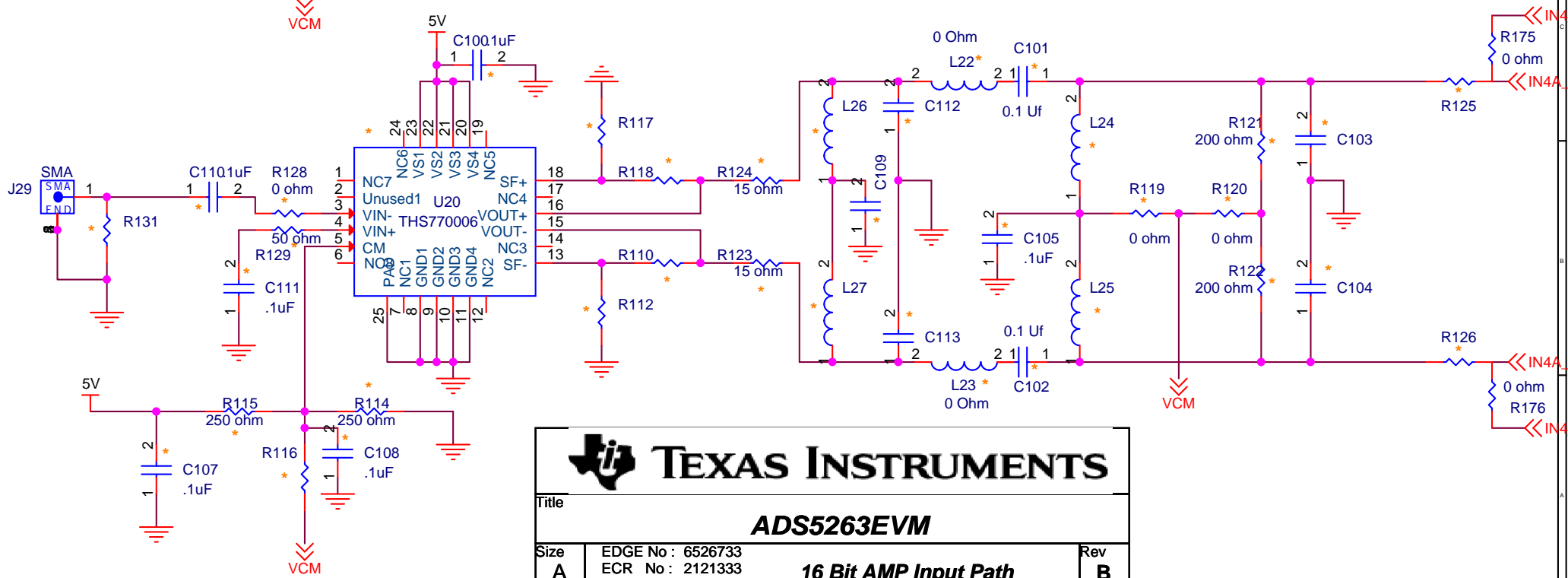
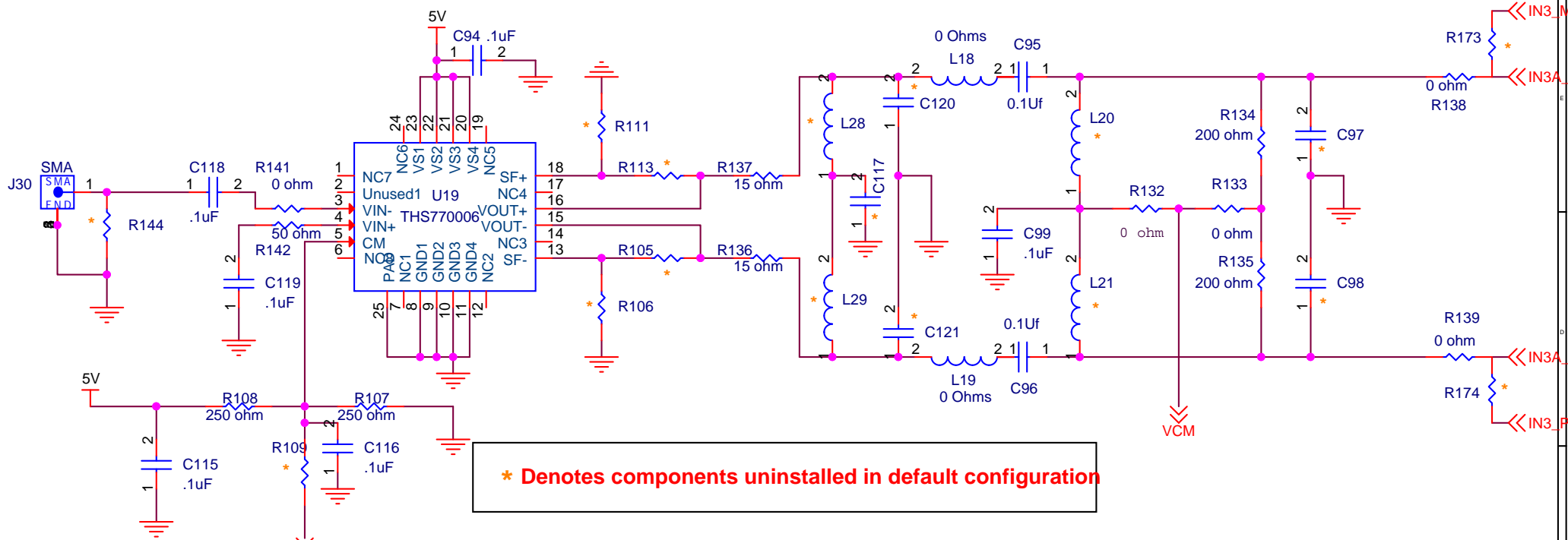


TEXAS INSTRUMENTS

Title: **ADS5263EVM**

Size: A	EDGE No : 6526733 ECR No : 2121333	Rev: B
----------------	---------------------------------------	---------------

Date: Friday, January 20, 2012 Sheet 6 of 8



TEXAS INSTRUMENTS

Title: **ADS5263EVM**

Size	EDGE No : 6526733	Rev
A	ECR No : 2121333	B

Date: Friday, January 20, 2012 Sheet 7 of 8

* Denotes components not installed in default configuration

