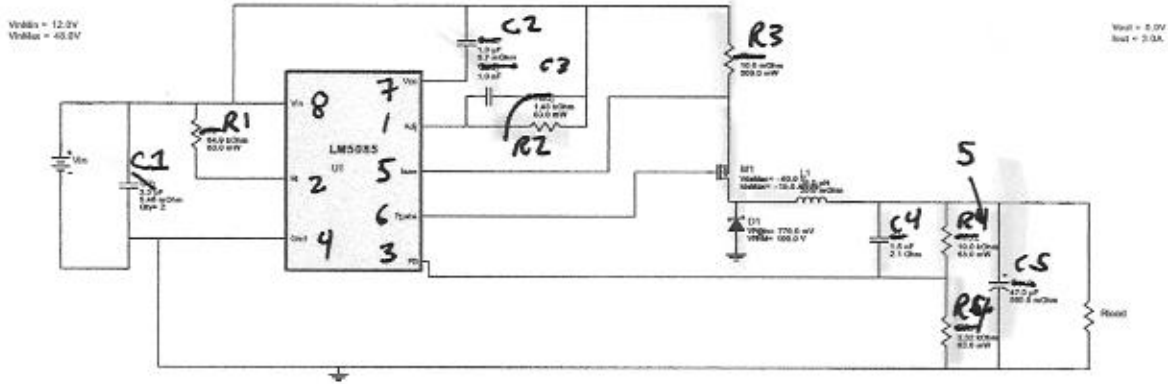


# WEBENCH® Design Report

Design : 3791413/4 LM5085MM/NOPB  
 LM5085MM/NOPB 12.0V-48.0V to 5.0V @ 3.0A

*0.8 in<sup>2</sup>*



## Electrical BOM

#	Name	Manufacturer	Part Number	Properties	Qty	Price	Footprint
✓ 1.	Cadj	Yageo America	CC0805KRX7R9BB102 Series= X7R	Cap= 1.0 nF VDC= 50.0 V IRMS= 0.0 A	1	\$0.01	0805 7mm2
✓ 2.	Cff	MuRata	GRM188R72E152KW07D Series= X7R	Cap= 1.5 nF ESR= 2.1 Ohm VDC= 250.0 V IRMS= 100.0 mA	1	\$0.02	0603 5mm2
✓ 3.	Cin	TDK	C3225X7S2A335K200AB Series= X7R	Cap= 3.3 µF ESR= 5.46 mOhm VDC= 100.0 V IRMS= 7.036 A	2	\$0.24	1210 15mm2
✓ 4.	Cout	AVX	TPSB476K010R0500 Series= TPS	Cap= 47.0 µF ESR= 500.0 mOhm VDC= 10.0 V IRMS= 371.0 mA	1	\$0.29	3528-21 17mm2
✓ 5.	Cvcc	TDK	C1608X5R1C105K Series= X5R	Cap= 1.0 µF ESR= 5.7 mOhm VDC= 16.0 V IRMS= 0.0 A	1	\$0.01	0603 5mm2
✓ 6.	D1	Vishay-Semiconductor	50WQ10FNPBF	VF@Io= 770.0 mV VRRM= 100.0 V	1	\$0.41	DPAK 102mm2
✓ 7.	L1	Bourns	SRR1210-180M	L= 18.0 µH DCR= 35.0 mOhm	1	\$0.44	SRR1210 196mm2
✓ 8.	M1	Fairchild Semiconductor	FDD5614P	VdsMax= -60.0 V IdsMax= -15.0 Amps	1	\$0.24	DPAK 102mm2
✓ 9.	Radj	Vishay-Dale	CRCW04021K43FKED Series= CRCW...e3	Res= 1.43 kOhm Power= 63.0 mW Tolerance= 1.0%	1	\$0.01	0402 3mm2

*10-52*