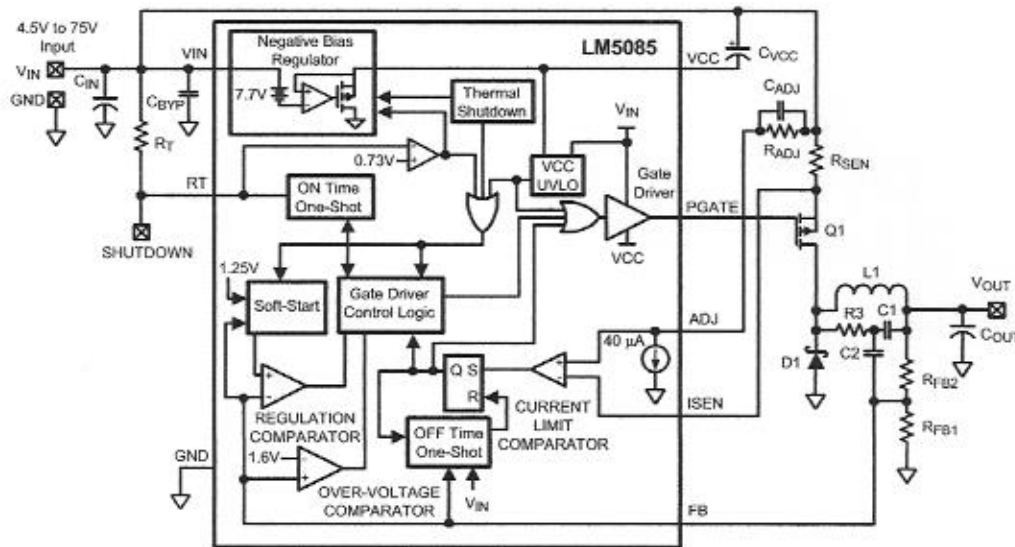


Block Diagram



Sense resistor method shown for current limit detection.  
Minimum output ripple configuration shown.