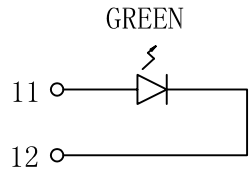
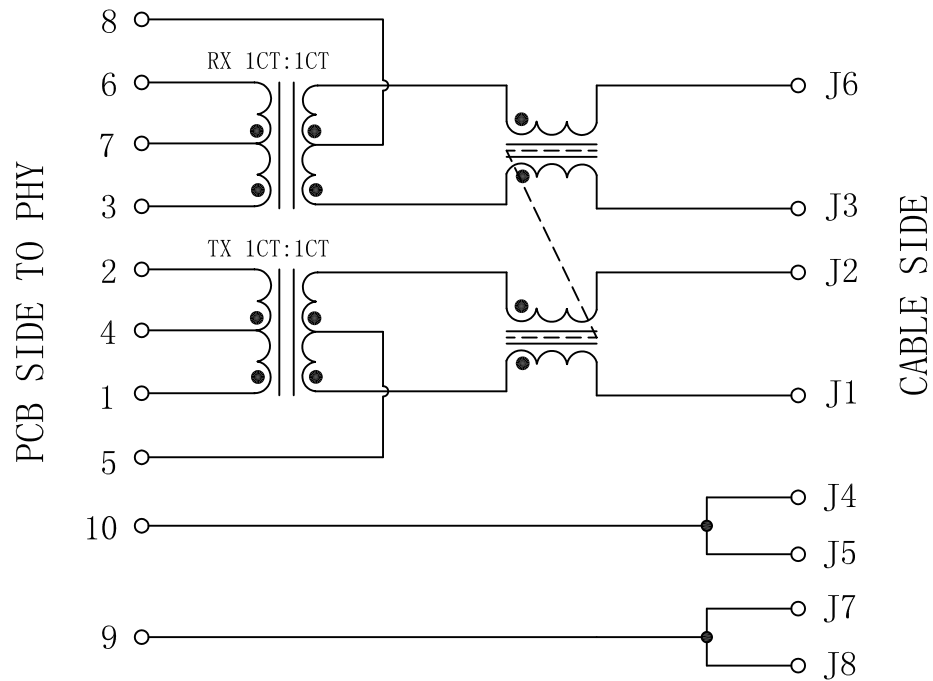


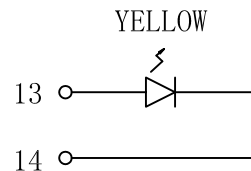
# Schematic:

REV.	ECN NO.	DESCRIPTION	DATE	APPD
A	REL		2012/08/14	



LEFT LED

LED POLARITY		COLOR
PIN 11	PIN 12	
+	-	GREEN



RIGHT LED

LED POLARITY		COLOR
PIN 13	PIN 14	
+	-	YELLOW

## Electrical Specifications @25°C

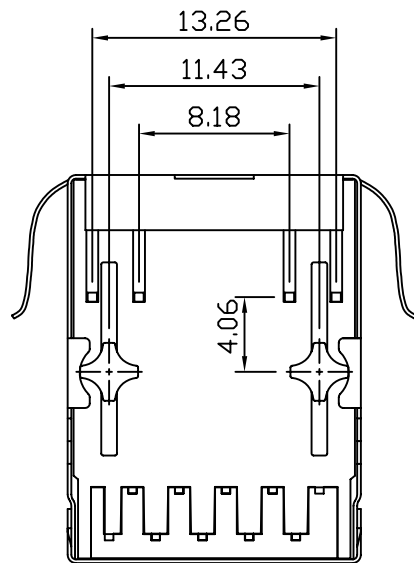
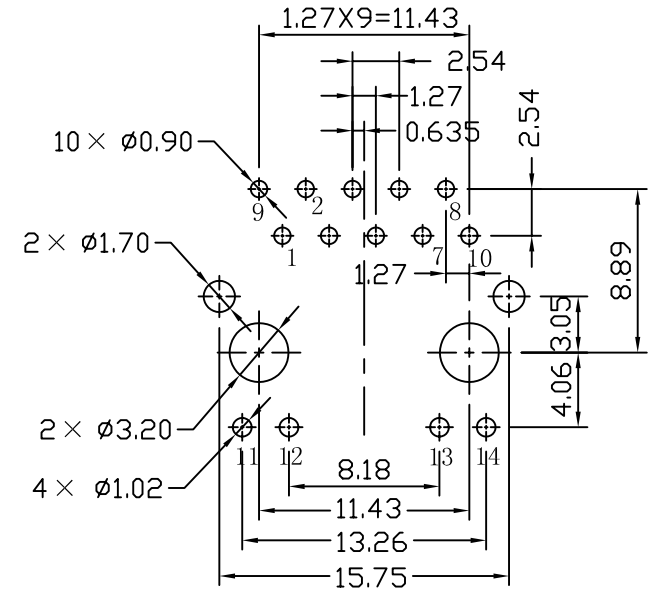
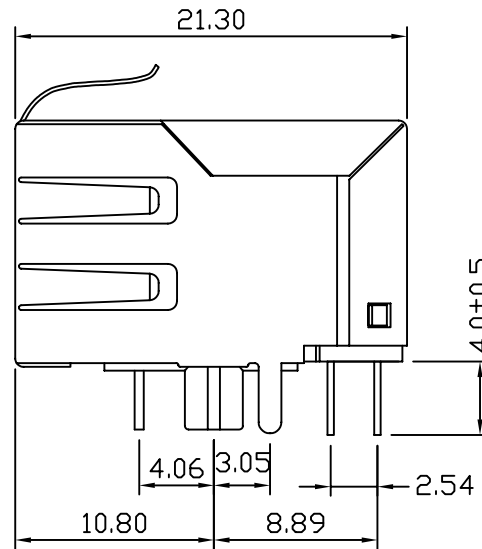
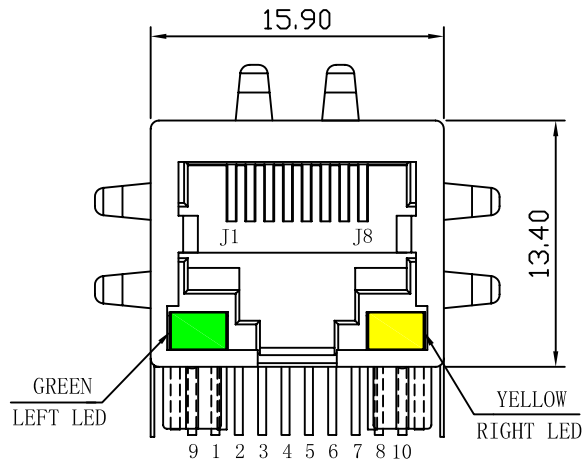
1. TURNS RATIO ( $\pm 5\%$ ):  
TX=1CT:1CT    RX=1CT:1CT
2. HI-POT: 1500Vrms
3. INSERTION LOSS:  
-1.2dB MAX @ 1-100MHz
4. RETURN LOSS:  
-16dB MIN @ 1-30MHz  
-14dB MIN @ 40MHz  
-13dB MIN @ 50MHz  
-12dB MIN @ 60-80MHz
5. CROSS TALK:  
-43dB MIN @ 30MHz  
-37dB MIN @ 60MHz  
-33dB MIN @ 100MHz
6. DCMR:  
-50dB MIN @ 30MHz  
-43dB MIN @ 60MHz  
-35dB MIN @ 100MHz
7. OCL: 350uH Min  
@0.1MHz 0.1Vrms With 8mA DC Bias
8. Operating temperature range: 0°C to +70°C



X:X	$\pm 0.25$	APPD:	LINK-PP INT'L TECHNOLOGY CO., LIMITED	
X:XX	$\pm 0.20$	CHKD:		
X:XXX	$\pm 0.05$	DR: TOM	TITLE: RJ45 Connector with 10/100 Base-T Integrated Magnetics & PoE	
ANGLES	$\pm 1^\circ$	UNIT: mm	PART NO.: LPJ0514GER	
	SCALE: 2/1	SHEET: 1/2	REV: A	DWG NO.: LP12081420

# Mechanical:

REV.	ECN NO.	DESCRIPTION	DATE	APPD
A	REL		2012/08/14	



## NOTES:

1. Designed to support application, such as SOHO (ADSL modems), LAN-on-Motherboard (LOM), hub and Switches.
2. Meets IEEE 802.3 specification
3. Connector Materials:  
 Housing: Thermoplastic UL94V-0  
 Contact/Shield: Copper alloy  
 Shield plating: Nickel  
 Contact plating: Gold 6 micro-inches min. In contact area.
4. Wave peak temperature: 260°C, 5Sec.
5. Support Power over Ethernet (PoE).
6. Balanced DC line current: 600mA Max @57VDC continuous  
 1AP Max @57VDC for 200 milliseconds.



X:X ±0.25	APPD:	LINK-PP INT'L TECHNOLOGY CO., LIMITED
X:XX ±0.20	CHKD:	
X:XXX ±0.05	DR: TOM	TITLE: RJ45 Connector with 10/100 Base-T Integrated Magnetics & PoE
ANGLES ±1°	UNIT: mm	PART NO.: LPJ0514GER
	SCALE: 2/1	SHEET: 2/2
	REV: A	DWG NO.: LP12081420