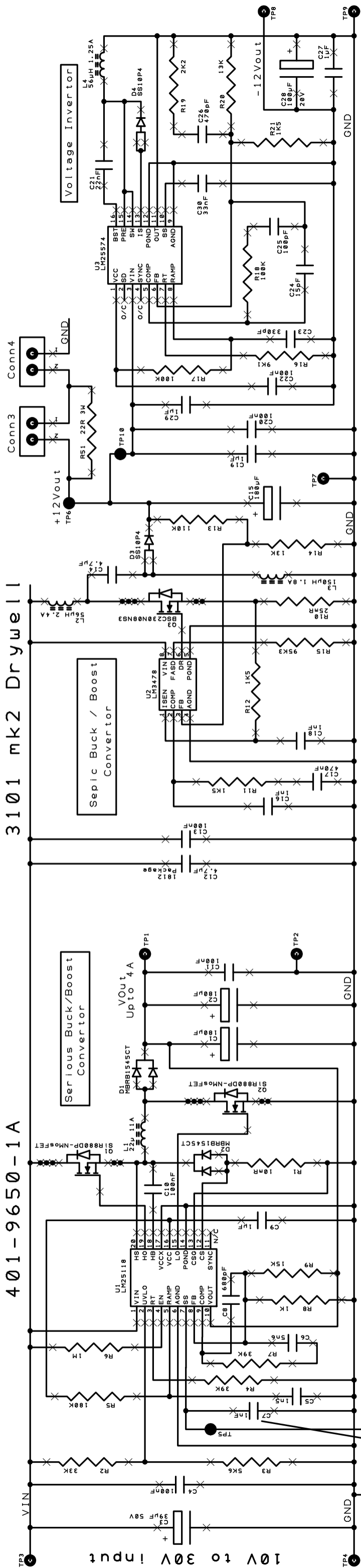
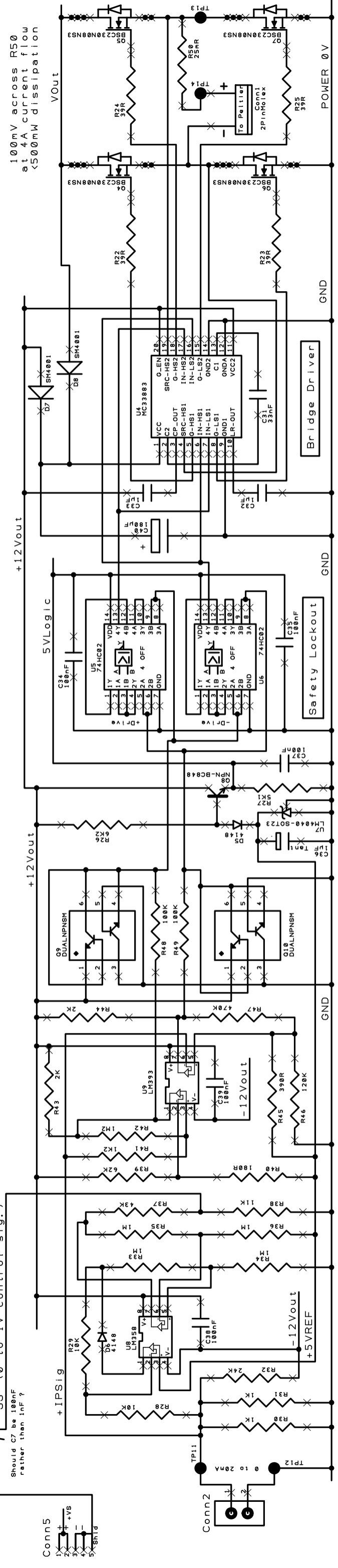


401-9650-1A

3101 mk2 Drywell



Should C7 be 100nF rather than 1nF?



100mV across R50 at 4A current flow <500mW dissipation

TP3

VIN

GND

TP4

10V to 30V input

Conn5

1X

2X

3X

4X

5X

SH1D

+VS

-

GND

Conn2

1

2

TP11

0 to 20mA

TP12

+5VREF

-12Vout

GND

R30

R31

R32

R33

R34

R35

R36

R37

R38

TP6

+12Vout

TP10

GND

Conn3

1

2

Conn4

1

2

GND

R51

22R 3W

R52

100K

C29

100nF

C30

33nF

R17

100K

R18

100K

C24

100pF

C25

15pF

R19

2K2

C26

470pF

R20

13K

R21

1K5

C27

10uF

C28

100uF

20V

GND

TP8

-12Vout

GND

TP9

GND

POWER 0V

GND

TP13

TP14

L3

150uH 1.8A

L2

56uH 2.4A

L1

4.7uF

C1

100nF

R10

25mR

R11

1K5

R12

1K5

R13

110K

R14

13K

C15

180uF

TP7

GND

U2

LM3478

U3

LM25574

D3

SS10P4

D4

SS10P4

U4

MC33883

U5

74HC22

U6

74HC22

C34

100nF

C35

100nF

C36

100nF

C37

100nF

C38

100nF

C39

100nF

C40

100nF

TP3

GND

Conn5

1X

2X

3X

4X

5X

SH1D

+VS

-

GND

Conn2

1

2

TP11

0 to 20mA

TP12

+5VREF

-12Vout

GND

TP8

-12Vout

GND

TP9

GND

POWER 0V

GND

TP13

TP14

U4

MC33883

U5

74HC22

U6

74HC22

C34

100nF

C35

100nF

C36

100nF

C37

100nF

C38

100nF

C39

100nF

C40

100nF

TP6

+12Vout

TP10

GND

Conn3

1

2

Conn4

1

2

GND

R51

22R 3W

R52

100K

C29

100nF

C30

33nF

R17

100K

R18

100K

C24

100pF

C25

15pF

R19

2K2

C26

470pF

R20

13K

R21

1K5

C27

10uF

C28

100uF

20V

GND

TP8

-12Vout

GND

TP9

GND

POWER 0V

GND

TP13

TP14

TP6

+12Vout

TP10

GND

Conn3

1

2

Conn4

1

2

GND

R51

22R 3W

R52

100K

C29

100nF

C30

33nF

R17

100K

R18

100K

C24

100pF

C25

15pF

R19

2K2

C26

470pF

R20

13K

R21

1K5

C27

10uF

C28

100uF

20V

GND

TP8

-12Vout

GND

TP9

GND

POWER 0V

GND

TP13

TP14

TP6

+12Vout

TP10

GND

Conn3

1

2

Conn4

1

2

GND

R51

22R 3W

R52

100K

C29

100nF

C30

33nF

R17

100K

R18

100K

C24

100pF

C25

15pF

R19

2K2

C26

470pF

R20

13K

R21

1K5

C27

10uF

C28

100uF

20V

GND

TP8

-12Vout

GND

TP9

GND

POWER 0V

GND

TP13

TP14

TP6

+12Vout

TP10

GND

Conn3

1

2

Conn4

1

2