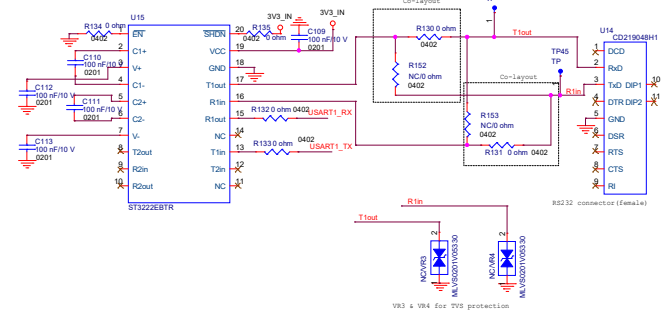
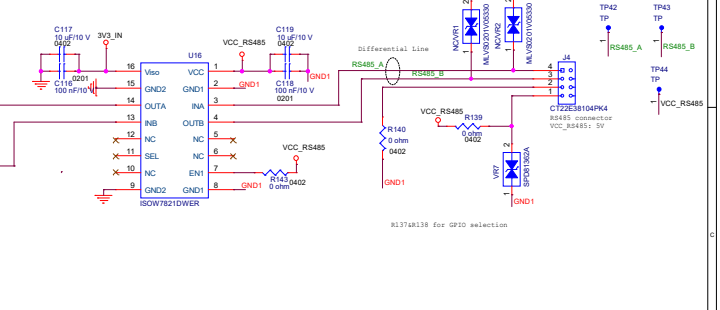


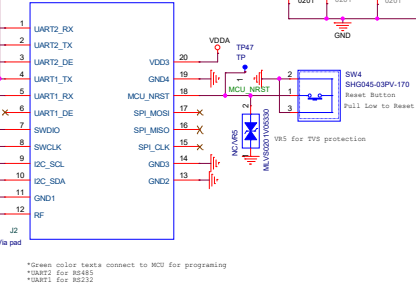
### RS232 Function



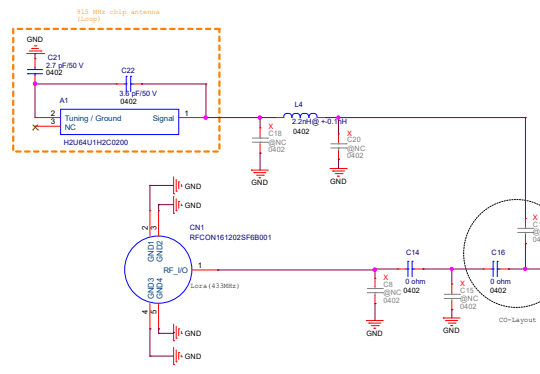
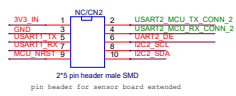
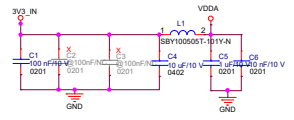
### RS485 Function



### WSL309S Pinout



PLACE AS CLOSE AS POSSIBLE TO MCU PINS



Pin Definition (RS232/RS485)

Pin	RS232	RS485
1	---	VCC
2	TX	GND
3	TX	B
4	---	A
5	GND	---
6	---	---
7	---	---
8	---	---

**LITEON** Communication Module SBU

File: **Luna2**

Size: Document Number

Rev: V03

Date: Friday, March 08, 2019 Sheet: 2 of 5