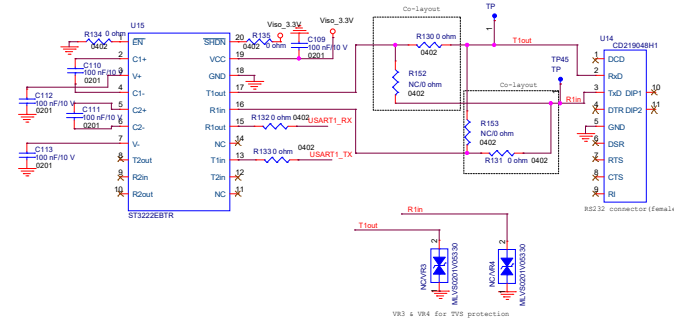
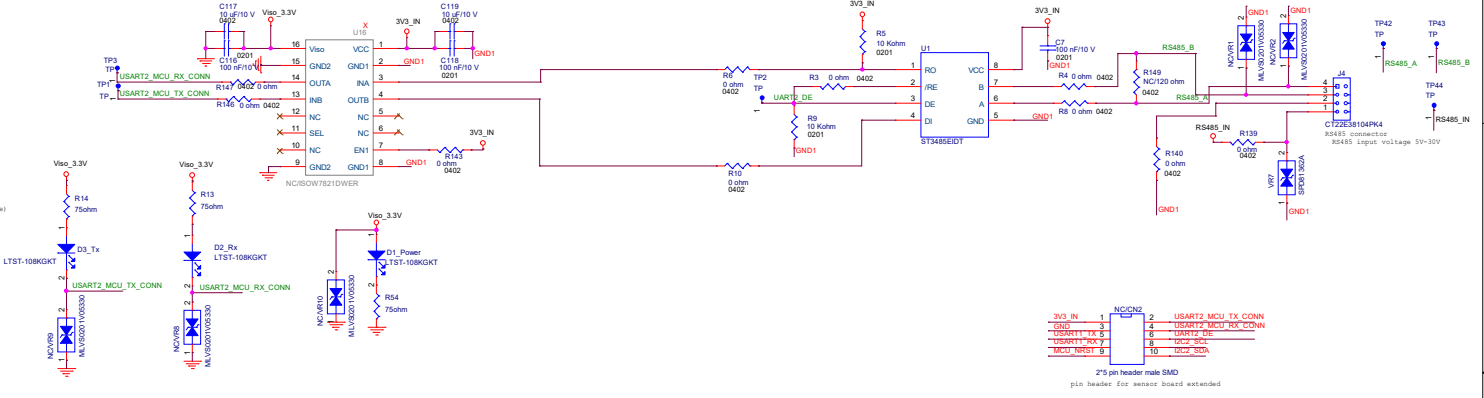


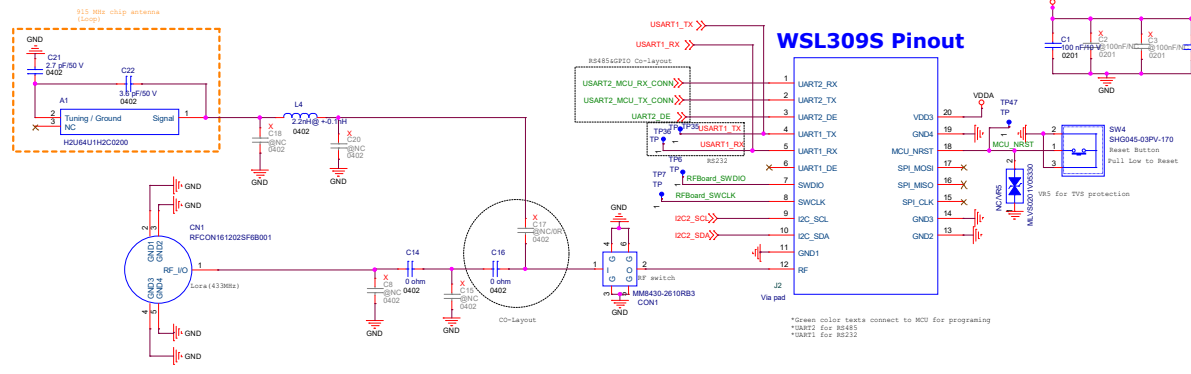
RS232 Function



RS485 Function



WSL309S Pinout



Pin Definition (RS232/RS485)

Pin	RS232	RS485
1	---	MCU
2	TX	GND
3	TX	B
4	---	A
5	GND	---
6	---	---
7	---	---
8	---	---

LITEON Communication Module SBU

File: **Luna2**

Size: Document Number

Rev: V03

Date: Tuesday, March 12, 2019 Sheet: 2 of 5