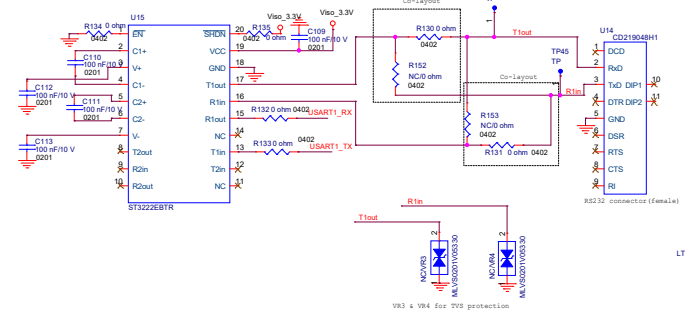
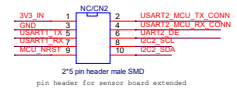
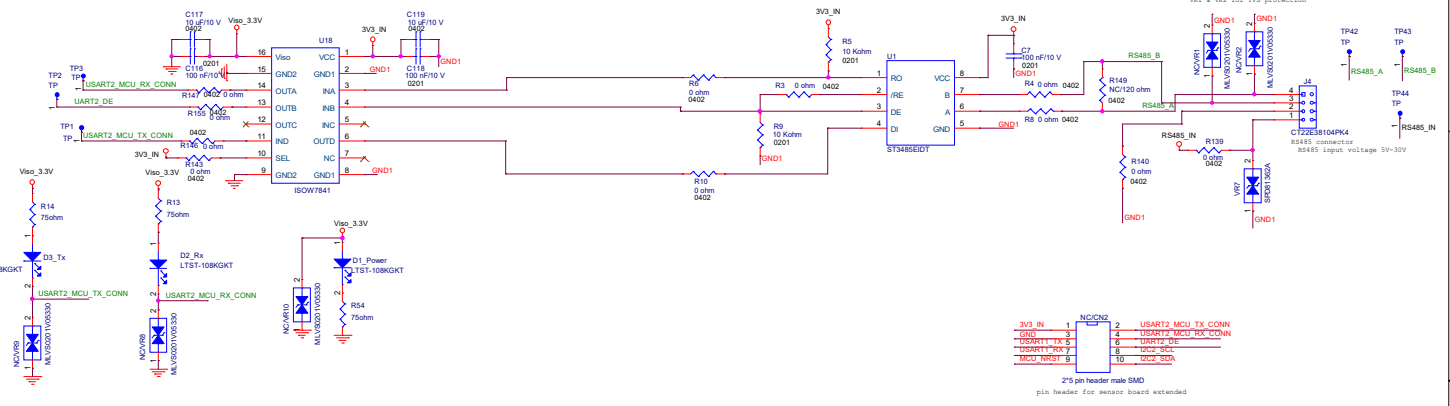


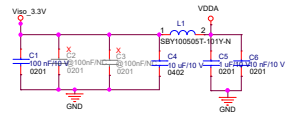
### RS232 Function



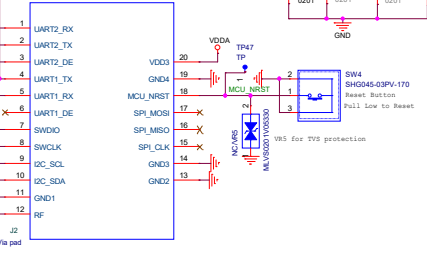
### RS485 Function



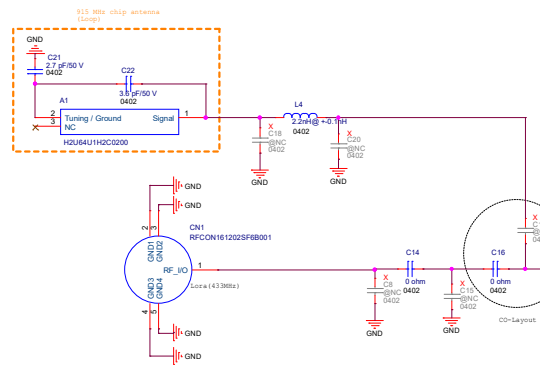
### PLACE AS CLOSE AS POSSIBLE TO MCU PINS



### WSL309S Pinout



\*GND4 include tracks connect to MCU for programming  
 \*UART2 for RS485  
 \*UART1 for RS232



Pin	RS232	RS485
1	---	MCU
2	TX	GND
3	TX	B
4	---	A
5	GND	---
6	---	---
7	---	---
8	---	---

**LITEON** Communication Module SBU

File: Luna2

Size: Document Number

Rev: V03

Date: Thursday, March 21, 2019

Sheet: 2 of 5