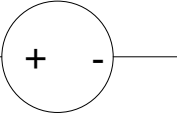
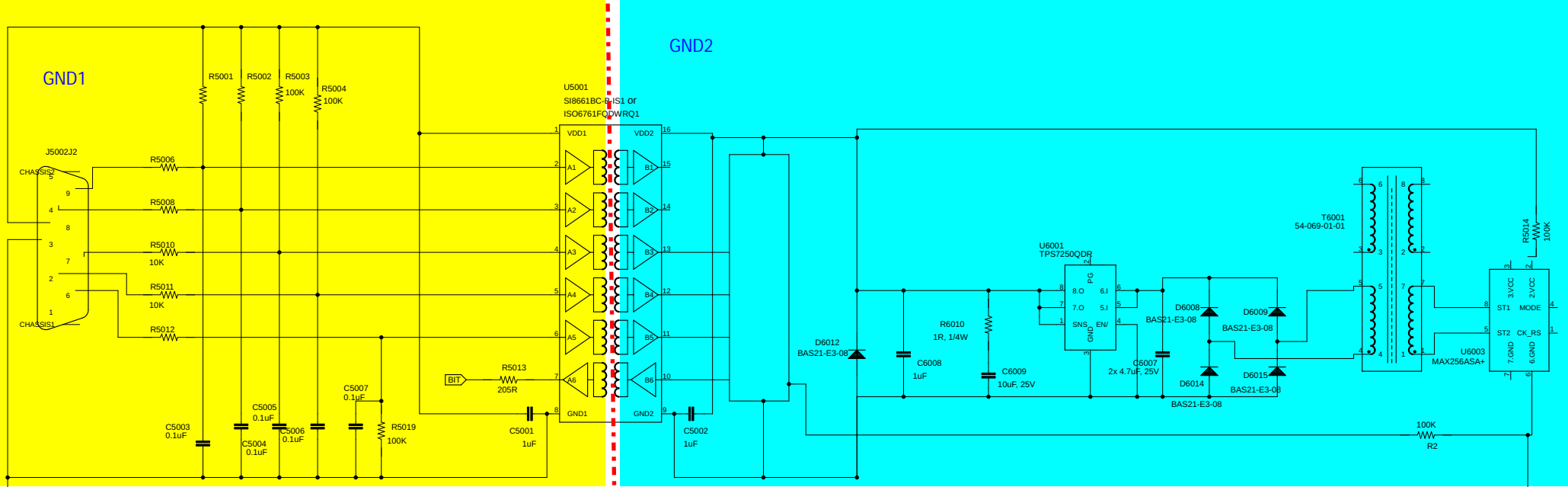


ISOLATION BOUNDARY



750 VDC

RTN

INS3