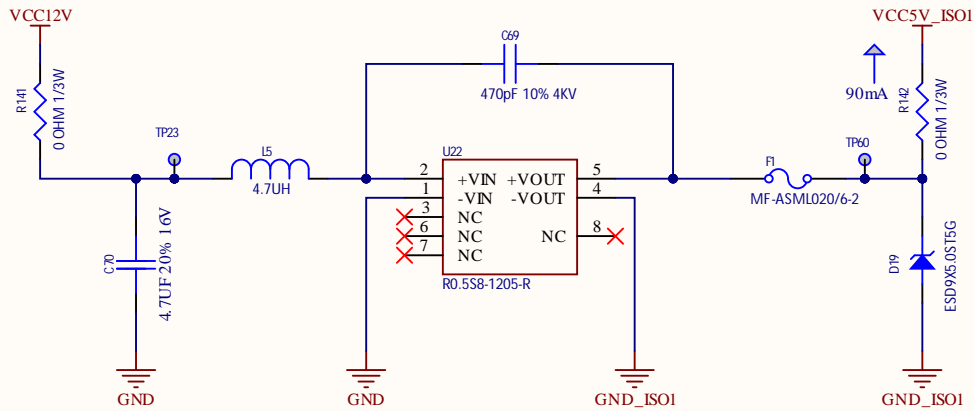


## VCC12V TO VCC5V\_ISO1

Max voltage drop across the fuse  $F_1$  at  $90\text{mA} = 90\text{mA} \times 1.6 = 0.144\text{V}$   
 Fuse hold current is  $0.12\text{A}$  at  $60\text{C}$



Title		
Size	Number	Revision
A4		
Date:	10-17-2023	Sheet of
File:	C:\Users\...\Sheet1.SchDoc	Drawn By: