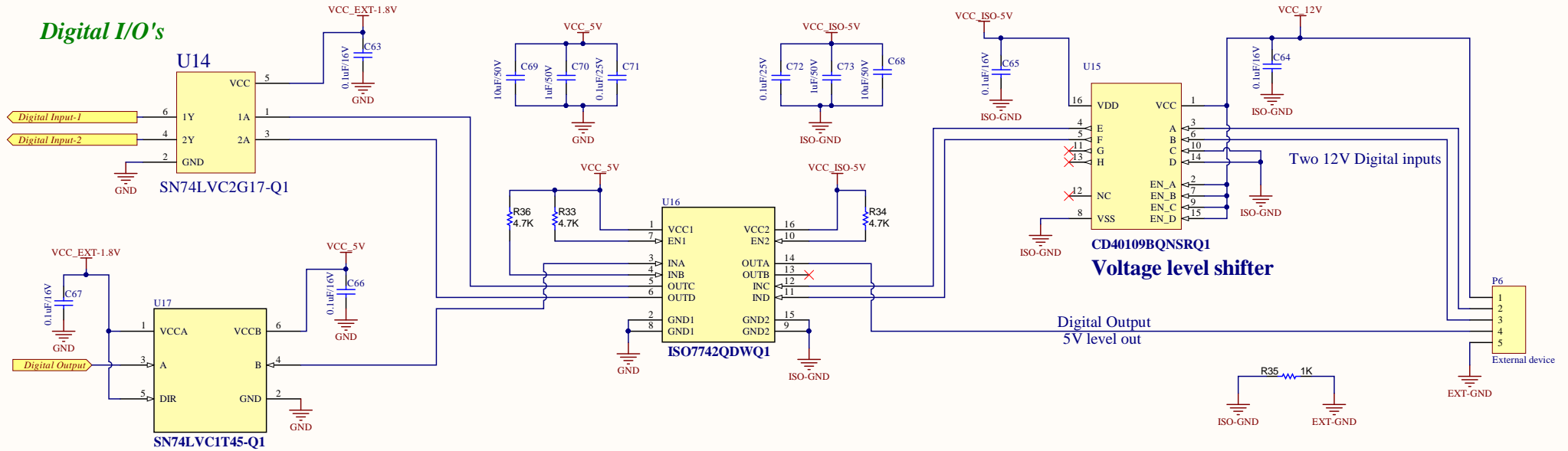
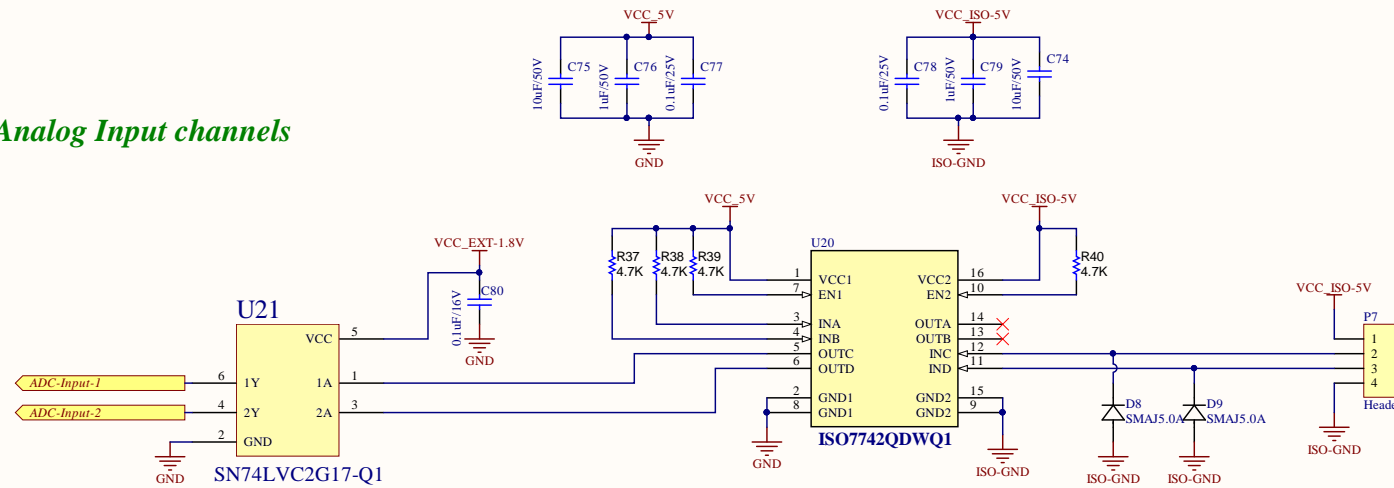


Digital I/O's



Analog Input channels



- Note:
- 5V power is Isolated
 - 12V supply is Not Isolated and taken directly from external device

Output pins on side 1 are enabled when EN1 is high or open and in high-impedance state when EN1 is low

Copyright Crevavi 2014-2015. Not to be Distributed outside Crevavi without duly authorized permission.

Title: Konnect-LTE-Digital IO's			Crevavi Technologies Pvt Ltd A V Complex (2nd floor) Ring Road Hebbal Industrial Area India - 570016	
Size: A4	Number:	Revision:	Crevavi	
Date: 17-10-2019	Time: 19:21:46	Sheet of		
File: E:\Projects\Crevavi\CRE0053-Konnect-LTE\CRE0053-Konnect-LTE_1V0\Altium\Digital IOs.SchDoc				