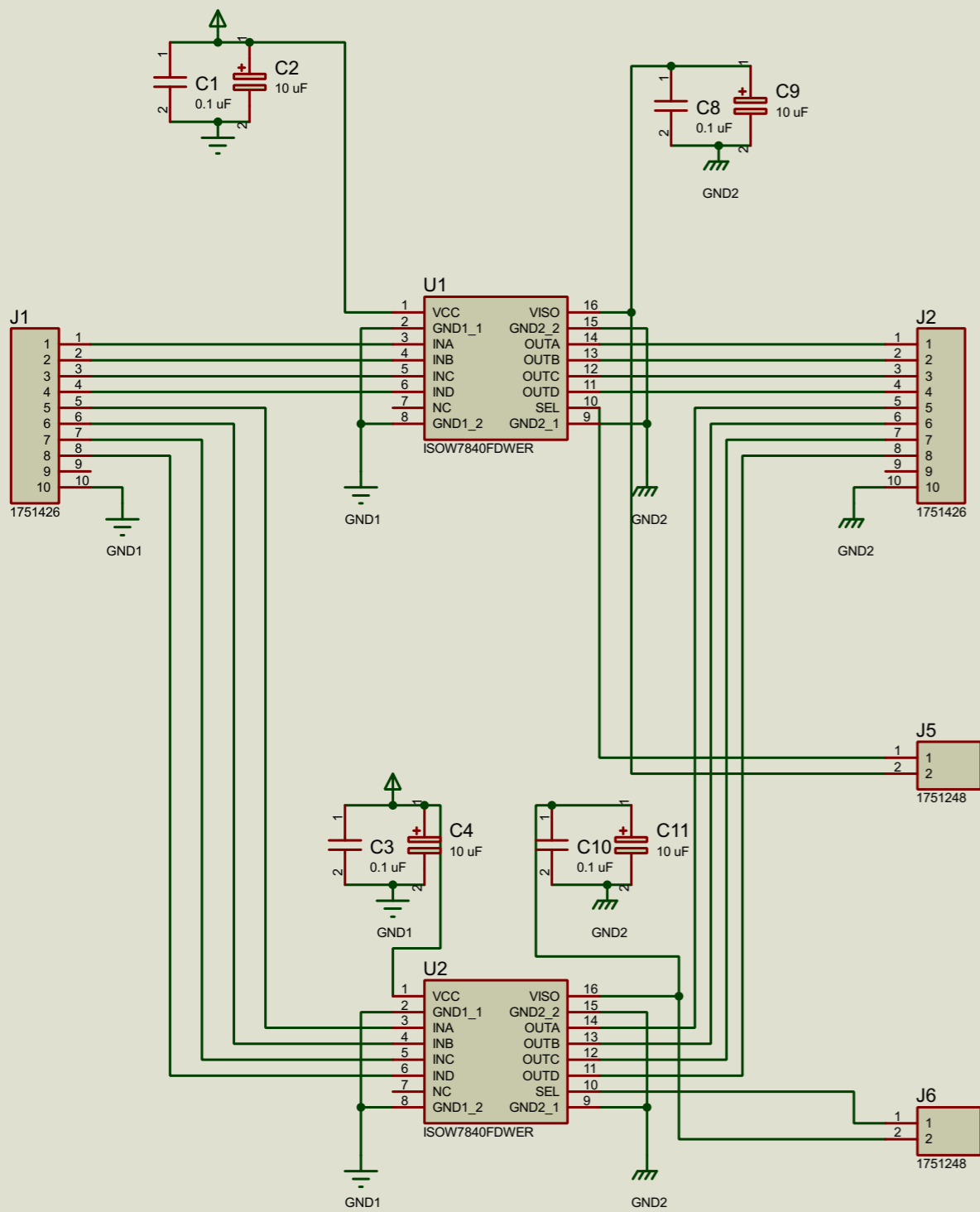
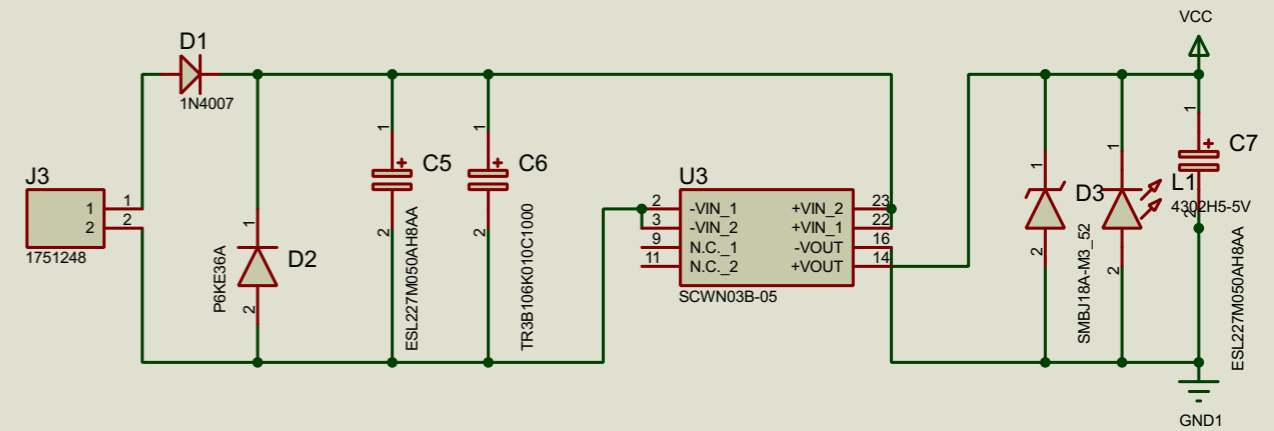


Isolator PCB Circuit



24V DC to 5V DC Converter Circuit



5V DC Output

