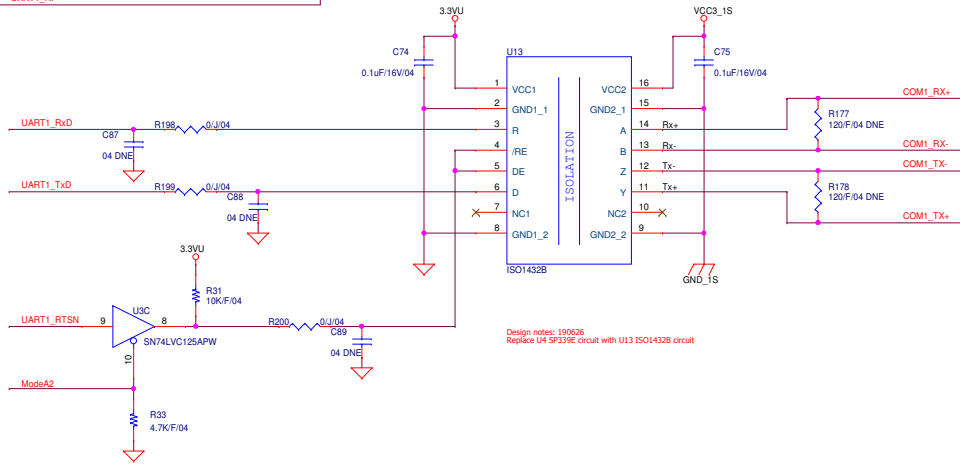
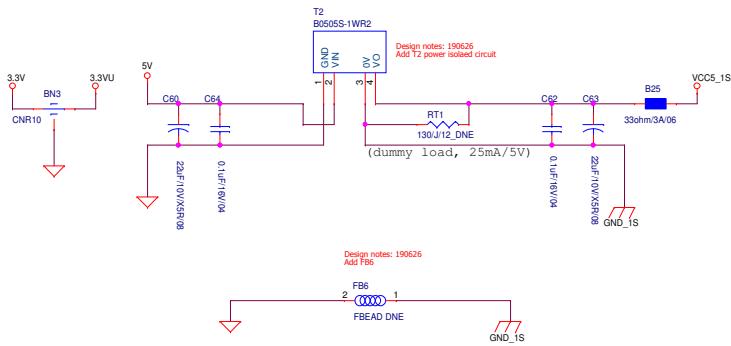


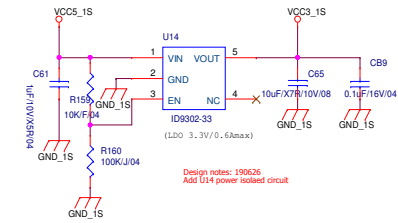
Design notes: 190626  
Add TP6, TP7, TP8, TP9, TP10, TP11, TP12



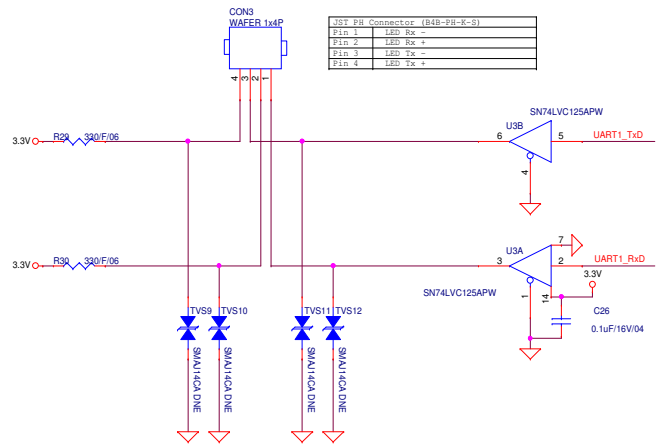
Design notes: 190626  
Replace U4 SP339E circuit with U13 ISO1432B circuit



Design notes: 190626  
Add FB6



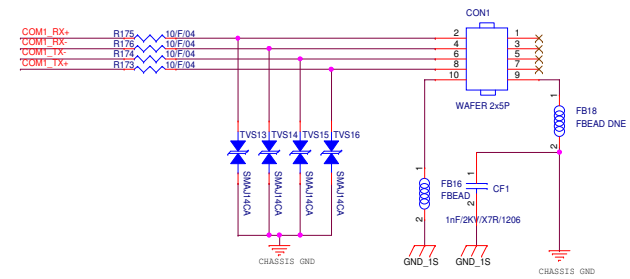
Design notes: 190626  
Add U14 power isolated circuit



JST PH Connector (B4B-PH-K-S)	
Pin 1	LED Rx -
Pin 2	LED Rx +
Pin 3	LED Tx -
Pin 4	LED Tx +

Design notes: 190626  
Replace U5 LED with CON3 wafer 1x4P  
Add TVS9, TVS10, TVS11, TVS12

JST PHD Connector (B10B-PHD-S)	
Pin 1	NC
Pin 2	Receiver non-inverting input
Pin 3	NC
Pin 4	Receiver inverting input
Pin 5	NC
Pin 6	Driver inverting output
Pin 7	NC
Pin 8	Driver non-inverting output
Pin 9	Chassis ground
Pin 10	Isolated digital ground



Design notes: 190626  
Replace CON1 USB with CON1 wafer 2x5P  
Add TVS13, TVS14, TVS15, TVS16, FB18, CF1