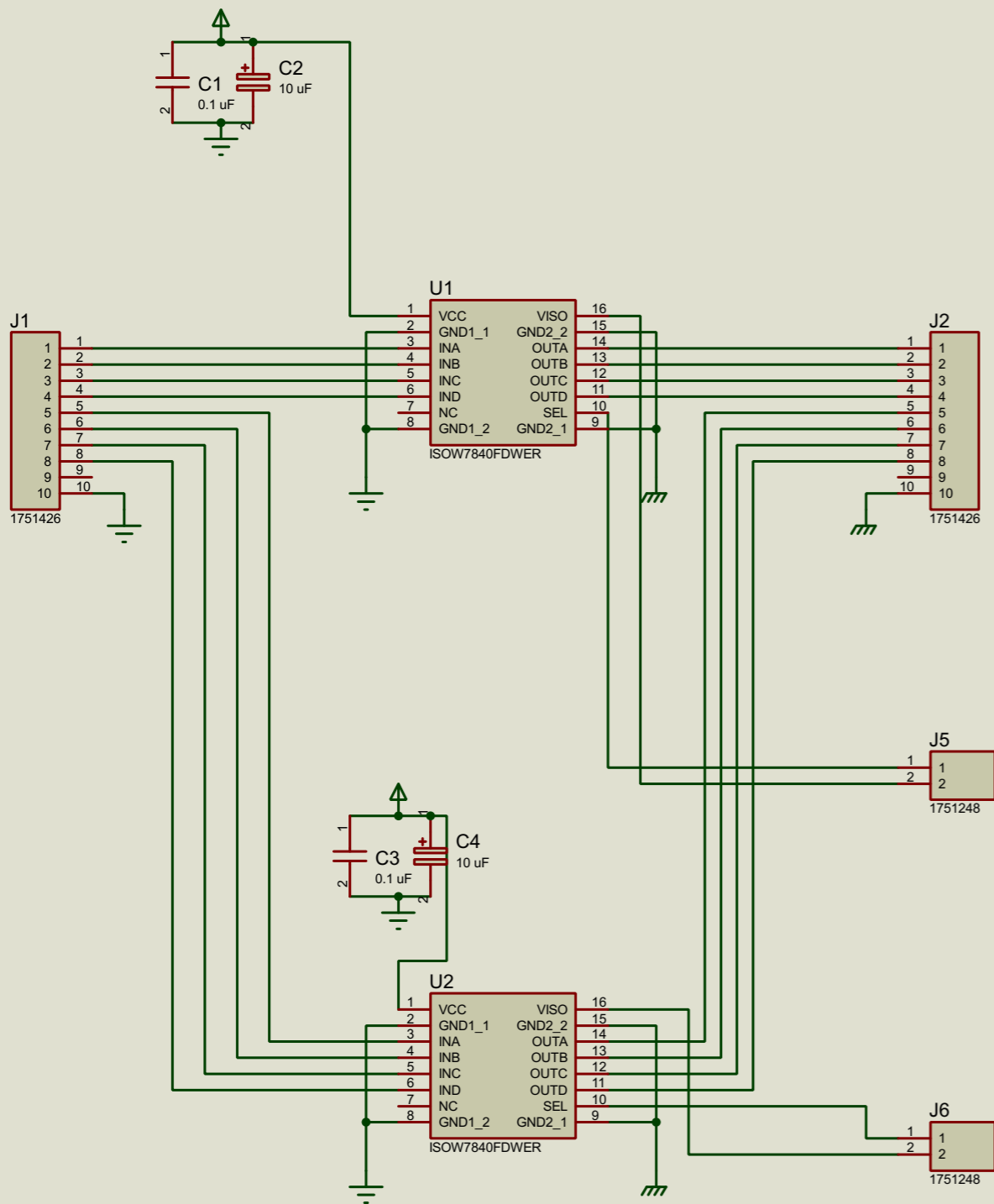
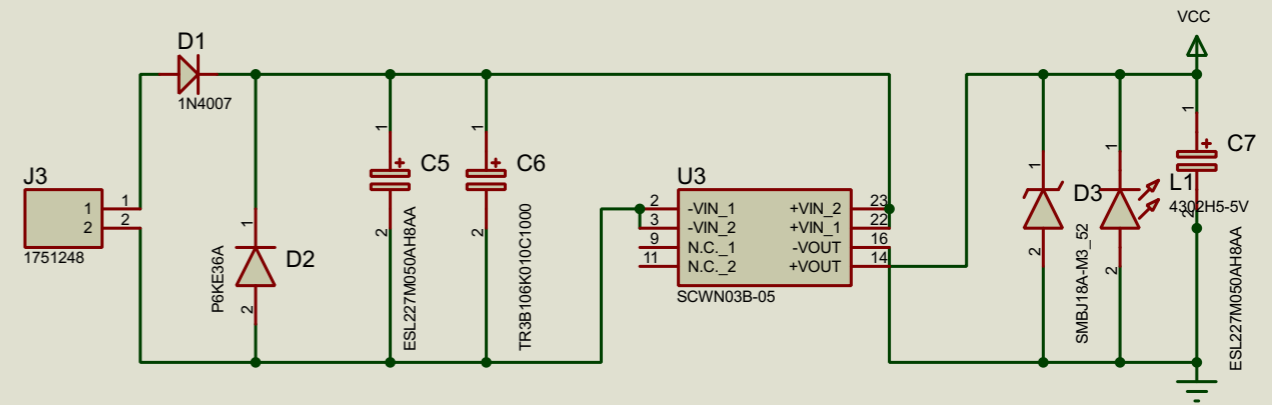


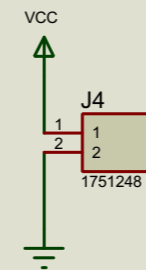
Isolator PCB Circuit



24V DC to 5V DC Converter Circuit



5V DC Output



| | |
|---|-------------------------|
| FILE NAME: Isolator Circuit_v1.1.pdsprj | DATE: 28-08-2020 |
| DESIGN TITLE: Isolator Circuit_v1.1.pdsprj | PAGE: 1 of 1 |
| PATH: D:\Projects\2020\20-08-015-IIS-CBSPC_SFC-CM Test Station\trunk | TIME: 12:01:25 |
| BY: @AUTHOR | REV: @REV |