

Power  
Power.SchDoc

All Resistor Package 0805 but order to be place for 0603  
All Cap Package 0805 but order to be place for 0603

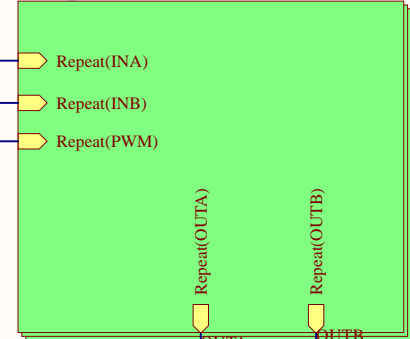
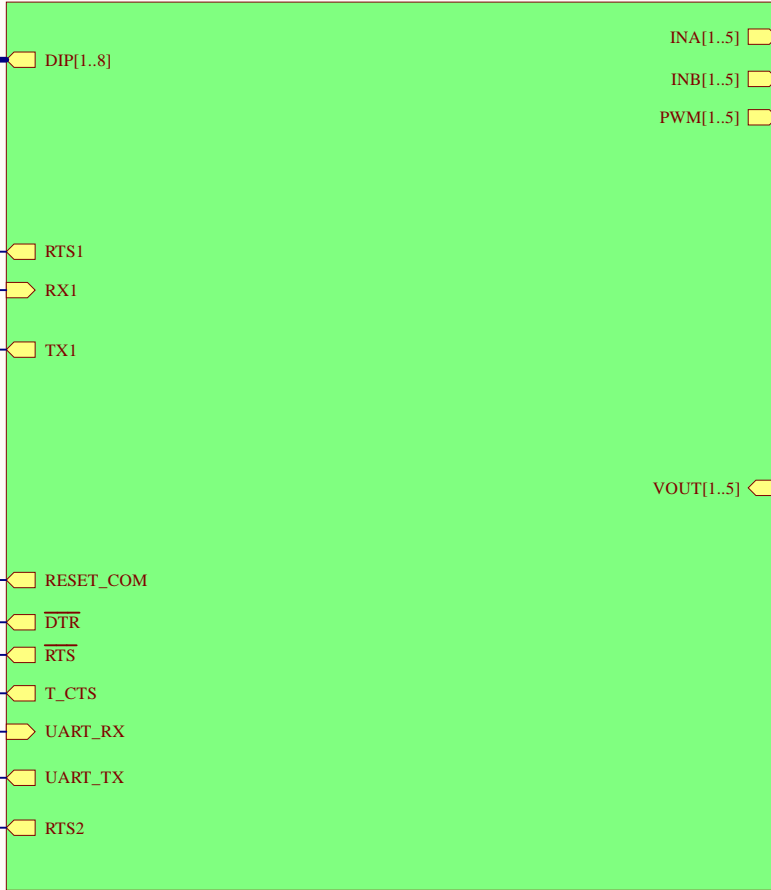
DIP\_SW  
DIP.SchDoc

MCU  
MCU.SchDoc

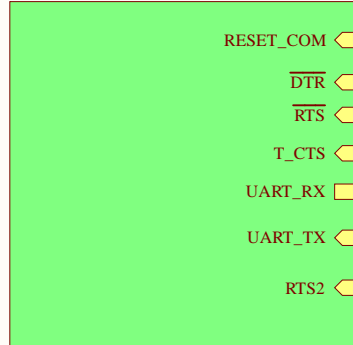
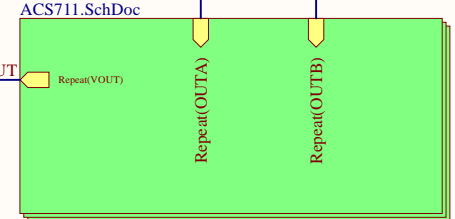
Repeat(MOTOR\_DRIVER,1,5)  
MOTOR\_DRIVER.SchDoc


MODBUS\_tilt.SchDoc  
MODBUS

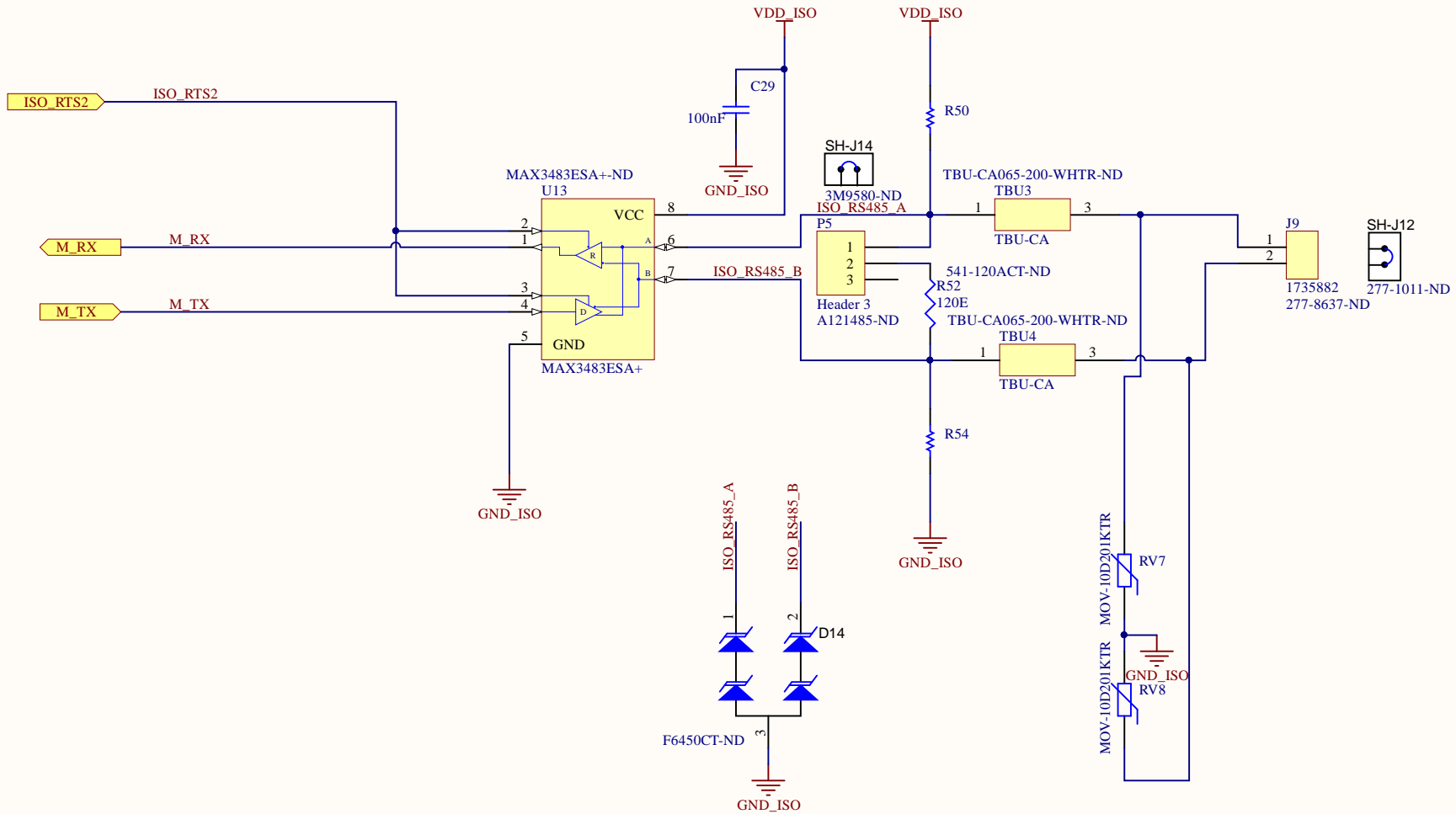
ZigBee  
ZigBee.SchDoc



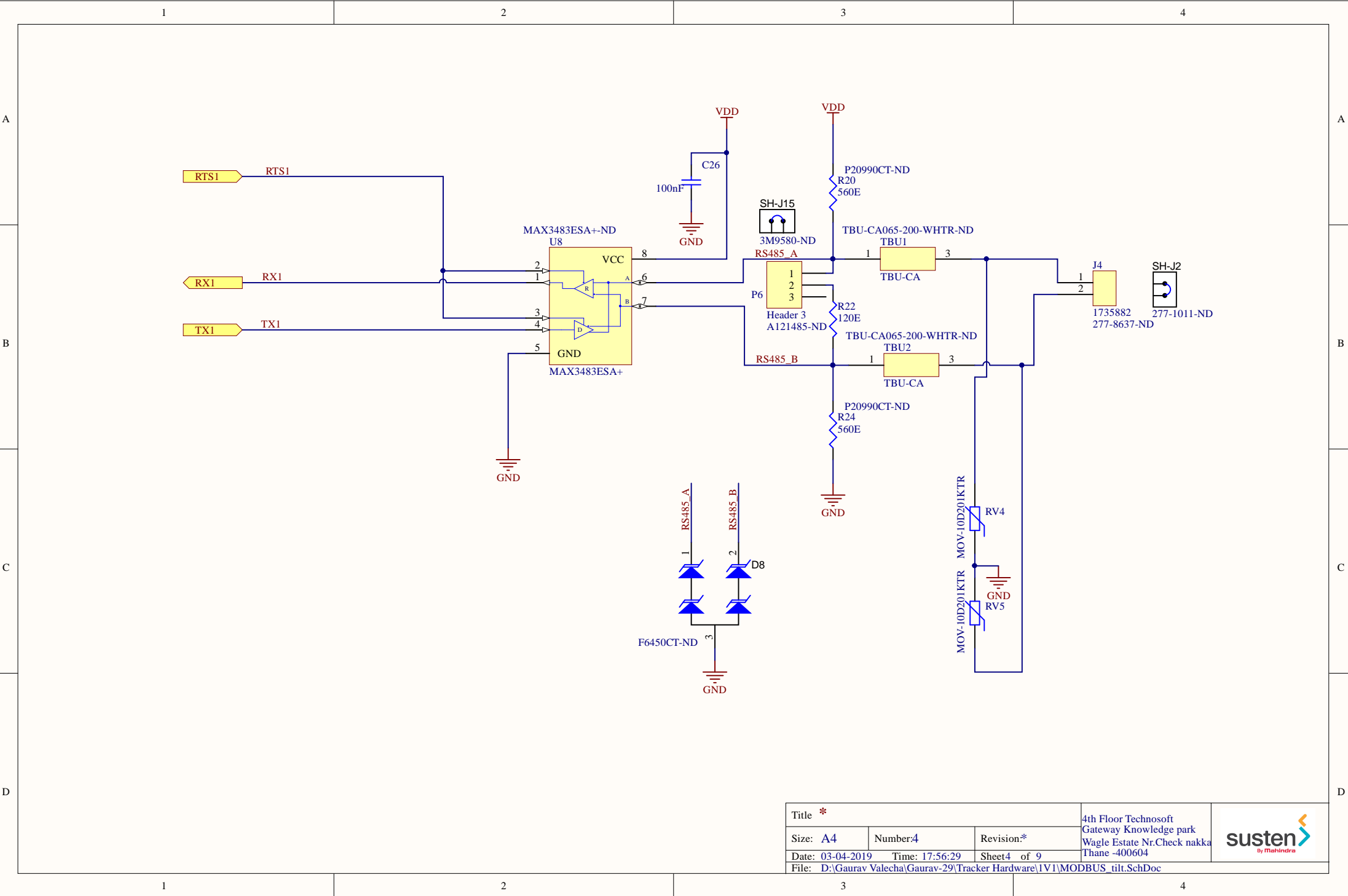
Repeat(CURRENT\_SENSE,1,5)




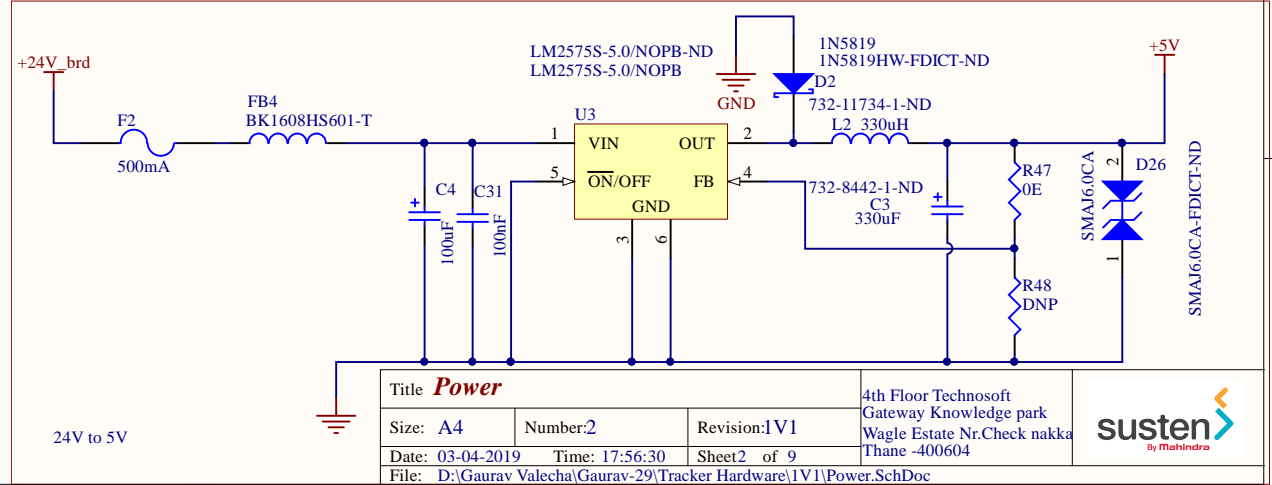
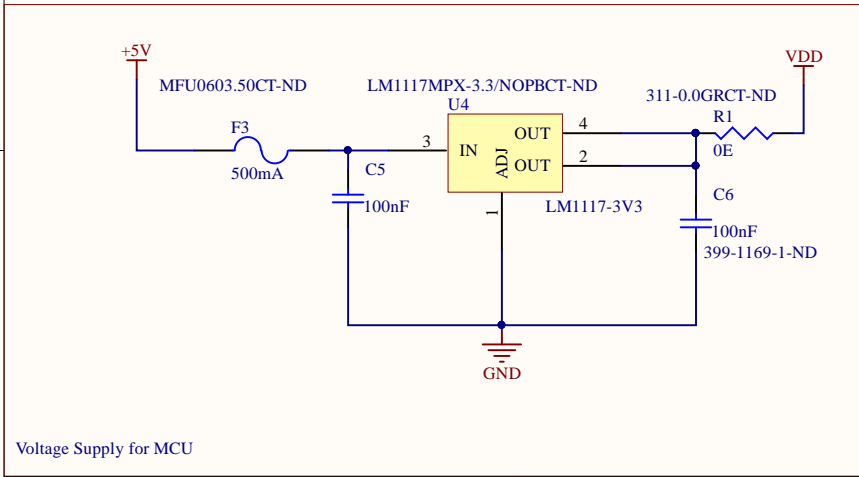
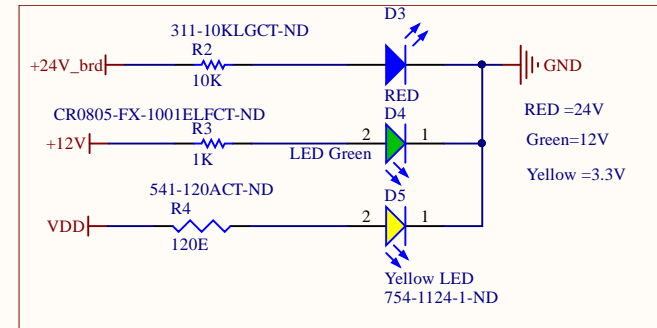
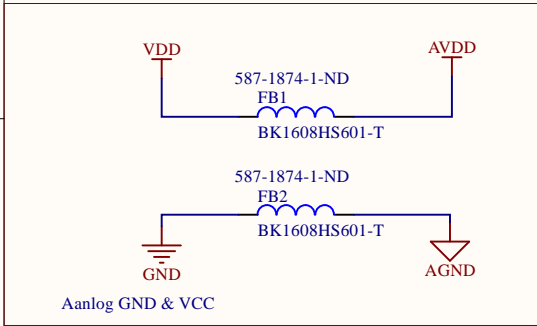
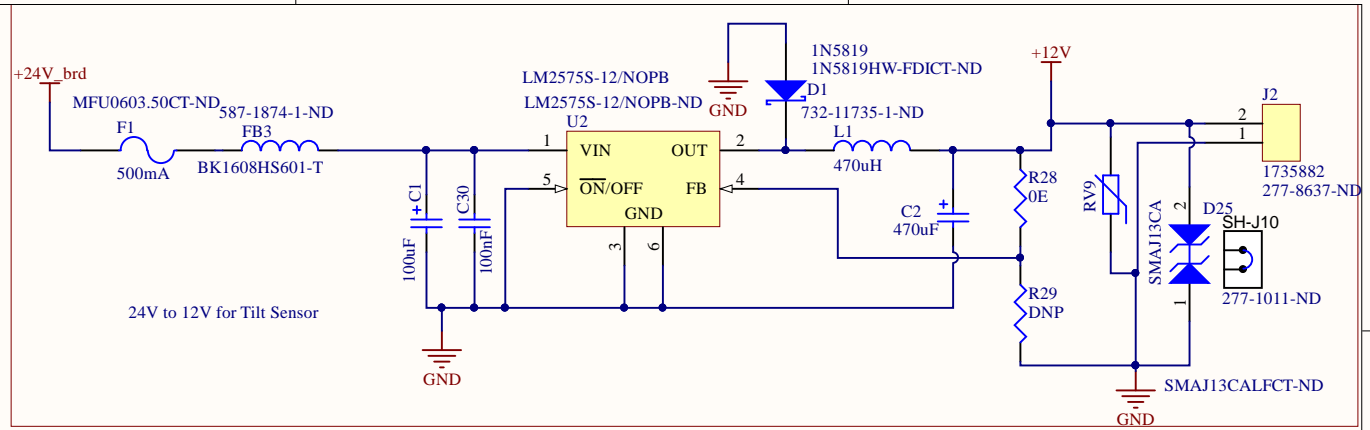
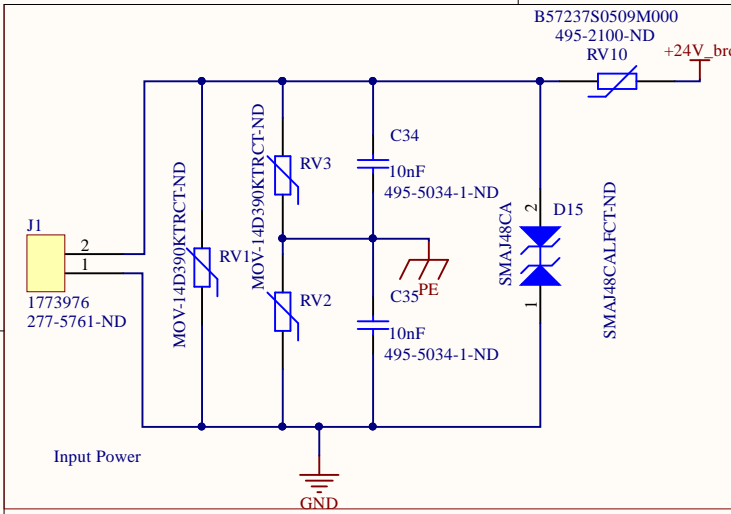
Title <b>Master</b>			4th Floor Technosoft Gateway Knowledge park Wagle Estate Nr.Check nakka Thane -400604	
Size: A4	Number:1	Revision:1V1		
Date: 03-04-2019	Time: 17:56:28	Sheet 1 of 9		
File: D:\Gaurav Valecha\Gaurav-29\Tracker Hardware\1V1\Master.SchDoc				




Title *			4th Floor Technosoft Gateway Knowledge park Wagle Estate Nr. Check nakka Thane -400604	
Size: A4	Number:9	Revision:*		
Date: 03-04-2019	Time: 17:56:29	Sheet9 of 9		
File: D:\Gaurav Valecha\Gaurav-29\Tracker Hardware\1\1\MOD_ISO.SchDoc				

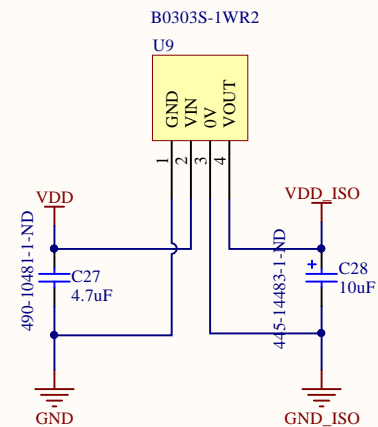
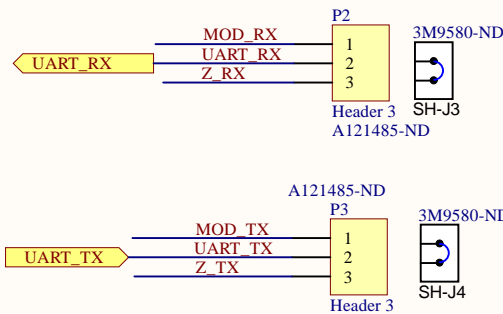
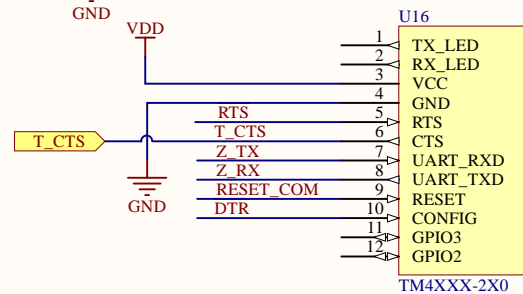
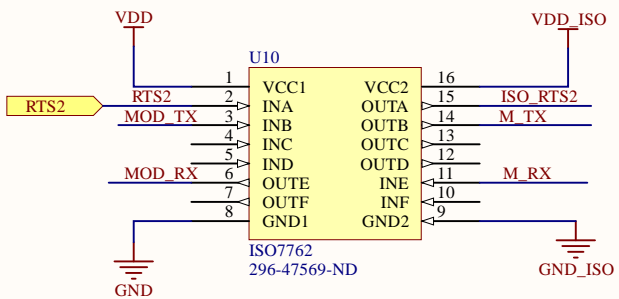
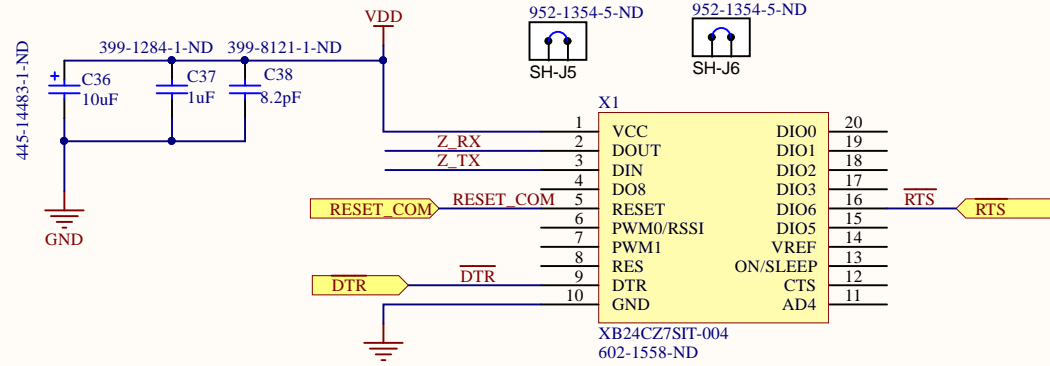
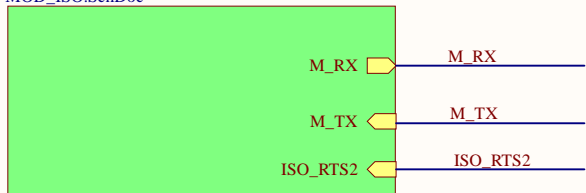



Title *			4th Floor Technosoft Gateway Knowledge park Wagle Estate Nr. Check nakka Thane -400604 
Size: A4	Number: 4	Revision: *	
Date: 03-04-2019	Time: 17:56:29	Sheet 4 of 9	
File: D:\Gaurav Valecha\Gaurav-29\Tracker Hardware\1\1\MODBUS_tilt.SchDoc			



<b>Title</b> <i>Power</i>			4th Floor Technosoft Gateway Knowledge park Wagle Estate Nr. Check nakka Thane -400604 
Size: A4	Number: 2	Revision: 1V1	
Date: 03-04-2019	Time: 17:56:30	Sheet 2 of 9	
File: D:\Gaurav Valecha\Gaurav-29\Tracker Hardware\1V1\Power.SchDoc			

ISO\_MOD  
MOD\_ISO.SchDoc



Title <b>ZigBee</b>			4th Floor Technosoft Gateway Knowledge park Wagle Estate Nr.Check nakka Thane -400604 
Size: A4	Number:8	Revision:1V1	
Date: 03-04-2019	Time: 17:56:31	Sheet8 of 9	
File: D:\Gaurav Valecha\Gaurav-29\Tracker Hardware\1V1\ZigBee.SchDoc			