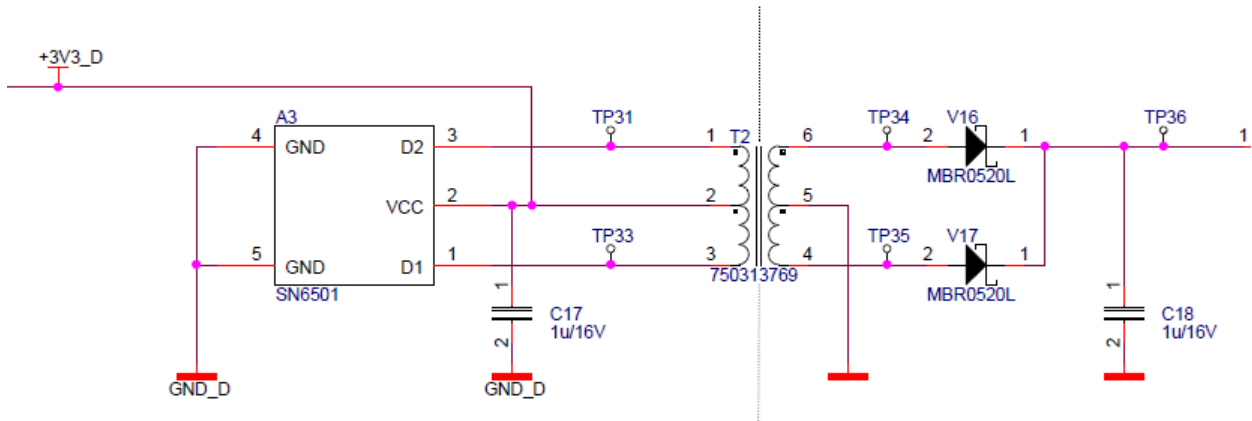
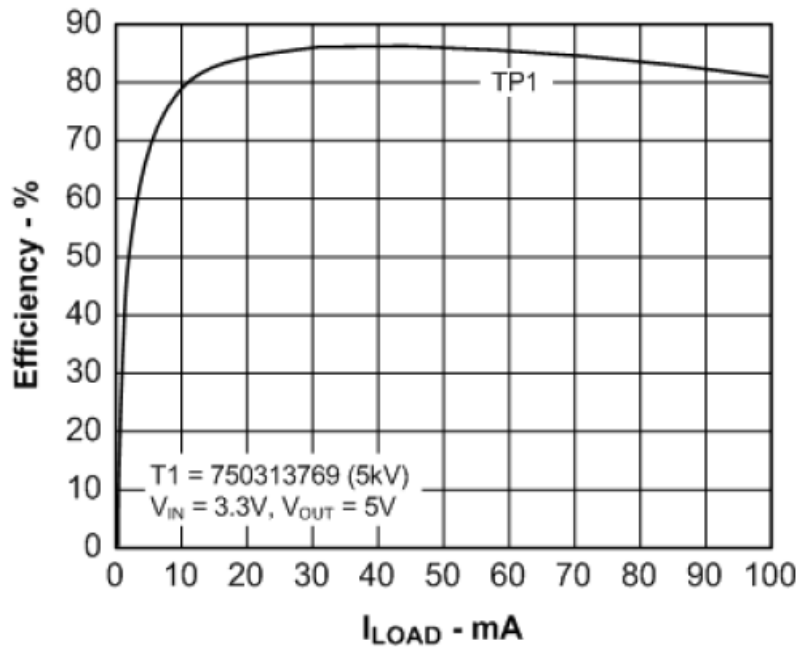


### My Design:



### Efficiency Specification from SN6501 datasheet:



**Measurements:**

U <sub>in</sub> (V)	I <sub>in</sub> (mA)	P <sub>in</sub> (mW)	U <sub>out</sub> (V)	I <sub>out</sub> (mA)	P <sub>out</sub> (mW)	Efficiency	P <sub>loss</sub> (mW)
3,301	6,378	21,054	5,911	0,000	0,000	0,0%	21,054
3,300	8,012	26,440	5,332	1,044	5,567	21,1%	20,873
3,299	9,624	31,750	5,301	2,020	10,708	33,7%	21,042
3,301	11,321	37,371	5,283	3,044	16,081	43,0%	21,289
3,300	12,592	41,554	5,270	3,815	20,105	48,4%	21,449
3,300	14,272	47,098	5,255	4,828	25,371	53,9%	21,726
3,302	15,853	52,347	5,248	5,783	30,349	58,0%	21,997
3,300	17,486	57,704	5,230	6,773	35,423	61,4%	22,281
3,302	20,437	67,483	5,215	8,554	44,609	66,1%	22,874
3,304	22,078	72,946	5,210	9,540	49,703	68,1%	23,242
3,302	23,602	77,934	5,200	10,465	54,418	69,8%	23,516

**Specification (black) vs. measurements (red):**

