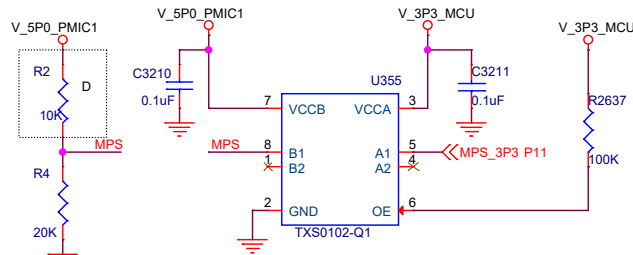
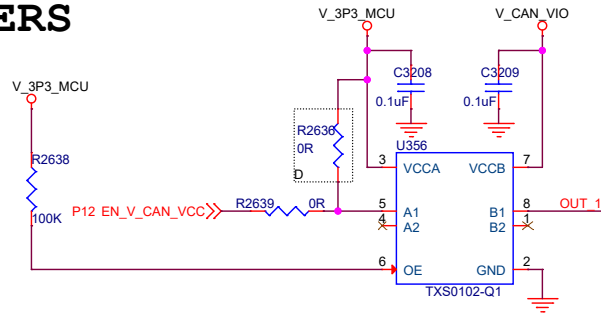


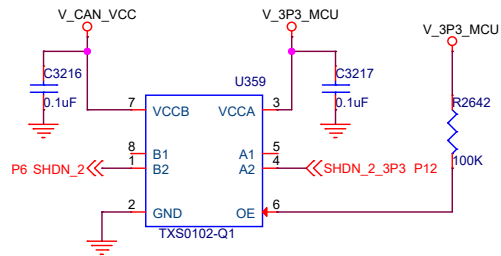
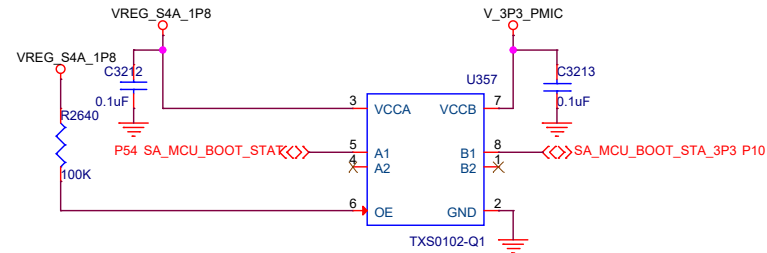
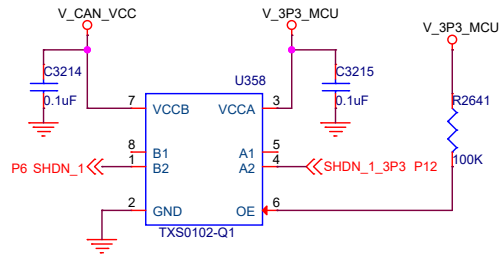
LEVEL SHIFTERS



NOTE : LEVEL SHIFTER ADDED TO PROVIDE 5V LEVEL TO MPS SIGNAL



NOTE :
 PART NUMBER : TXS0102QDCURQ1
 V_3P3_MCU : 3.3V
 V_CAN_VIO : 3.3V
 V_5P0_PMIC1 : 5V
 VREG_S4A_1P8 : 1.8V
 V_3P3_PMIC : 3.3V



Title		
LEVEL SHIFTERS		
Size	Document Number	Rev
B	<Doc>	<RevCode>
Date:	Monday, December 28, 2020	Sheet 7 of 19