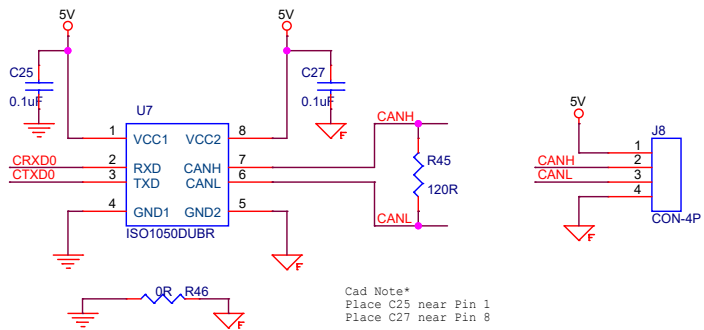


CAN INTERFACE WITH ISOLATOR



UART INTERFACE WITH ISOLATOR

